



TITAN®

SERVICE MANUAL

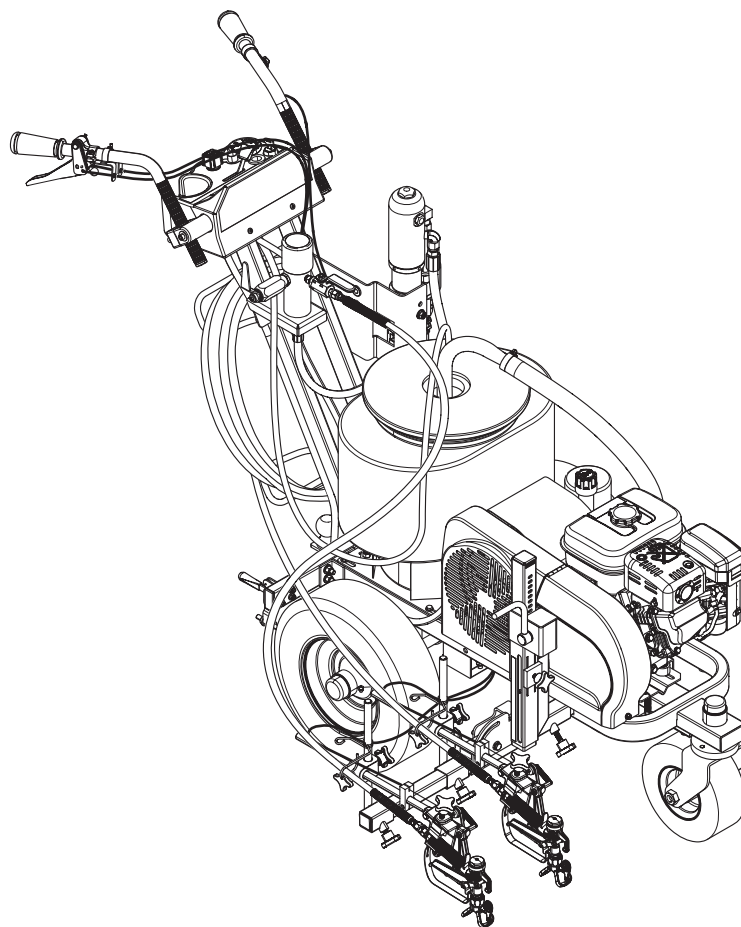
- GB -	SERVICE MANUAL	2
- D -	SERVICEHANDBUCH	16
- F -	MANUEL D'ENTRETIEN	32

POWRLINER™

AIRLESS, HIGH-PRESSURE
SPRAYING UNIT

AIRLESS HOCHDRUCK-
SPRITZGERÄT

GROUPE DE PROJECTION À
HAUTE PRESSION



Models:

PL4955 0290052H (Global, except for EU)

PL4955 0290052E (EU only)

PL6955 0290053H

PL8955 0290054H

Warning!

Attention: Danger of injury by injection!
Airless units develop extremely high spraying pressures.



1

Never put your fingers, hands or any other parts of the body into the spray jet!

Never point the spray gun at yourself, other persons or animals.

Never use the spray gun without safety guard.

Do not treat a spraying injury as a harmless cut. In case of injury to the skin through coating materials or solvents, consult a doctor immediately for quick and expert treatment. Inform the doctor about the coating material or solvent used.

2

The operating instructions state that the following points must always be observed before starting up:

1. Faulty units must not be used.
2. Secure Titan spray gun using the safety catch on the trigger.
3. Ensure that the unit is properly earthed.
4. Check allowable operating pressure of high-pressure hose and spray gun.
5. Check all connections for leaks.

3

The instructions regarding regular cleaning and maintenance of the unit must be strictly observed.

Before any work is done on the unit or for every break in work the following rules must be observed:

1. Release the pressure from spray gun and hose.
2. Secure the Titan spray gun using the safety catch on the trigger.
3. Switch off unit.

Be safety conscious!








Contents

	Page
1. Safety regulations for Airless spraying	2
1.1 Explanation of symbols used	2
1.2 Electrical safety.....	3
1.3 Gasoline engine safety	4
1.4 Fueling (gas engine).....	4
2. Repairs	5
2.1 Replacing the motor brushes (120V electric convertokit).....	5
2.2 Adjusting the tracking of the front caster	6
2.3 Replacing the belt.....	7
2.4 Servicing the hydraulic motor	8
2.5 Servicing the fluid section.....	10
2.6 SAE O-ring fitting installation	12
3. Troubleshooting	13
3.1 Airless gun	13
3.2 Fluid section	13
3.3 Hydraulic motors	14
3.4 Spray patterns	15
Accessories and spare parts	48
Spare parts list for the main assembly.....	48/49
Spare parts list for the cart assembly I.....	50/51
Spare parts list for the cart assembly II.....	52/53
Spare parts list for the hydraulic system.....	54/55
Spare parts list for the hydraulic motor	56/57
Spare parts list for the fluid section • PL4955	58/59
Spare parts list for the fluid section • PL6955 / PL8955	60/61
Spare parts list for gas convertokit	62
Spare parts list for belt guard assembly.....	63
Spare parts list for the high-pressure filter	64/65
Spare parts list for bleed hose assembly with valve	66
Spare parts list for bleed valve	67
Spare parts list for caster assembly.....	68
Spare parts list for lift / tilt assembly	69
Spare parts list for gun holder assembly	70
Hydraulic hose connection diagram	71
Connection diagram (PL4955)	72
Connection diagram (PL6955 / PL8955)	73
Accessories for PL units	74
Striping Tips	75
Striping Tip Chart	77
Spare parts list for electric convertokit (120V).....	78/79
Warranty	80

1. Safety regulations for Airless spraying

1.1 Explanation of symbols used

This manual contains information that must be read and understood before using the equipment. When you come to an area that has one of the following symbols, pay particular attention and make certain to heed the safeguard.

	This symbol indicates a potential hazard that may cause serious injury or loss of life. Important safety information will follow.
	This symbol indicates a potential hazard to you or to the equipment. Important information that tells how to prevent damage to the equipment or how to avoid causes of minor injuries will follow.
	Danger of skin injection
	Danger of fire from solvent and paint fumes
	Danger of explosion from solvent, paint fumes and incompatible materials
	Danger of injury from inhalation of harmful vapors
	Notes give important information which should be given special attention.



HAZARD: INJECTION INJURY

A high pressure stream produced by this equipment can pierce the skin and underlying tissues, leading to serious injury and possible amputation.

Do not treat a spraying injury as a harmless cut. In case of injury to the skin through coating materials or solvents, consult a doctor immediately for quick and expert treatment. Inform the doctor about the coating material or solvent used.

PREVENTION:

- NEVER aim the gun at any part of the body.
- NEVER allow any part of the body to touch the fluid stream. DO NOT allow body to touch a leak in the fluid hose.
- NEVER put your hand in front of the gun. Gloves will not provide protection against an injection injury.
- ALWAYS lock the gun trigger, shut the fluid pump off and release all pressure before servicing, cleaning the tip guard, changing tips, or leaving unattended. Pressure will not be released by turning off the engine. The PRIME/SPRAY valve or pressure bleed valve must be turned to their appropriate positions to relieve system pressure.
- ALWAYS keep tip guard in place while spraying. The tip guard provides some protection but is mainly a warning device.
- ALWAYS remove the spray tip before flushing or cleaning the system.
- NEVER use a spray gun without a working trigger lock and trigger guard in place.

- All accessories must be rated at or above the maximum operating pressure range of the sprayer. This includes spray tips, guns, extensions, and hose.



HAZARD: HIGH PRESSURE HOSE

The paint hose can develop leaks from wear, kinking and abuse. A leak can inject material into the skin. Inspect the hose before each use.

PREVENTION:

- Avoid sharp bending or kinking of the high-pressure hose. The smallest bending radius amounts to about 20 cm.
- Do not drive over the high-pressure hose. Protect against sharp objects and edges.
- Replace any damaged high-pressure hose immediately.
- Never repair defective high-pressure hoses yourself!
- Electrostatic charging of spray guns and the high-pressure hose is discharged through the high-pressure hose. For this reason the electric resistance between the connections of the high-pressure hose must be equal to or lower than 1MΩ.
- For reasons of function, safety and durability use only original Titan high-pressure hoses.
- Before each use, check all hoses for cuts, leaks, abrasion or bulging of cover. Check for damage or movement of couplings. Immediately replace the hose if any of these conditions exist. Never repair a paint hose. Replace it with another earthed high-pressure hose.
- Make sure power cord, air hose and spray hoses are routed in such a manner to minimize slip, trip and fall hazard.



HAZARD: EXPLOSION OR FIRE

Flammable vapors, such as solvent and paint vapors, in work area can ignite or explode.

PREVENTION:

- Use equipment only in well ventilated area. Keep a good supply of fresh air moving through the area to keep the air within the spray area free from accumulation of flammable vapors. Keep pump assembly in well ventilated area. Do not spray pump assembly.
- Gas models only - Do not fill fuel tank while engine is running or hot; shut off engine and allow to cool. Fuel is flammable and can ignite or explode if spilled on a hot surface.
- Electric models only - Do not use materials with a flashpoint below 38° C (100° F). Flashpoint is the temperature at which a fluid can produce enough vapors to ignite.
- Eliminate all ignition sources, such as pilot lights, cigarettes, portable electric lamps and plastic drop cloths (potential static arc).
- Keep work area free of debris, including solvent, rags and gasoline.
- Do not plug or unplug power cords, or turn power or light switches on or off when flammable vapors are present.
- Ground equipment and conductive objects in work area. Make sure grounding chain is in place and reaches the ground.
- Use only grounded hoses.
- Hold spray gun firmly to the side of a grounded pail when triggering into pail.
- If there is static sparking or if you feel a shock, stop operation immediately.

- Know the contents of the paint and solvents being sprayed. Read all Material Safety Data Sheets (MSDS) and container labels provided with the paints and solvents. Follow the paint and solvent manufacturer's safety instructions.
- Do not use a paint or solvent containing halogenated hydrocarbons. Such as chlorine, bleach, mildewcide, methylene chloride and trichloroethane. They are not compatible with aluminum. Contact the coating supplier about compatibility of material with aluminum.
- Keep a fire extinguisher in work area.



HAZARD: HAZARDOUS VAPORS

Paints, solvents, and other materials can be harmful if inhaled or come in contact with body. Vapors can cause severe nausea, fainting, or poisoning.

PREVENTION:

- Wear respiratory protection when spraying. Read all instructions supplied with the mask to be sure it will provide the necessary protection.
- All local regulations regarding protection against hazardous vapors must be observed.
- Wear protective eyewear.
- Protective clothing, gloves and possibly skin protection cream are necessary for the protection of the skin. Observe the regulations of the manufacturer concerning coating materials, solvents and cleaning agents in preparation, processing and cleaning units.



HAZARD: GENERAL

This product can cause severe injury or property damage.

PREVENTION:

- Follow all appropriate local, state, and national codes governing ventilation, fire prevention, and operation.
- Pulling the trigger causes a recoil force to the hand that is holding the spray gun. The recoil force of the spray gun is particularly powerful when the tip has been removed and a high pressure has been set on the airless pump. When cleaning without a spray tip, set the pressure control knob to the lowest pressure.
- Use only manufacturer authorized parts. User assumes all risks and liabilities when using parts that do not meet the minimum specifications and safety devices of the pump manufacturer.
- ALWAYS follow the material manufacturer's instructions for safe handling of paint and solvents.
- Clean up all material and solvent spills immediately to prevent slip hazard.
- Wear ear protection. This unit can produce noise levels above 85 dB(A).
- Never leave this equipment unattended. Keep away from children or anyone not familiar with the operation of airless equipment.
- Do not spray on windy days.
- The device and all related liquids (i.e. hydraulic oil) must be disposed of in an environmentally friendly way.

1.2 Electric Safety

Electric models must be grounded/earthed. In the event of an electrical short circuit, grounding/earthing reduces the risk of electric shock by providing an escape wire for the electric current. This product is equipped with a cord having an grounding/earthing wire with an appropriate earthing plug. Connection to the mains only through a special feed point, e.g. through an error protection insallation with INF < 30 mA.



DANGER — Work or repairs at the electrical equipment may only be carried out by a skilled electrician. No liability is assumed for incorrect installation. Switch the unit off. Before all repair work, unplug the power plug from the outlet.

Danger of short-circuits caused by water ingressing into the electrical equipment. Never spray down the unit with high-pressure or high-pressure steam cleaners.



Do not use 12V socket without a fully charged battery installed.

Work or repairs at the electrical equipment:

These may only be carried out by a skilled electrician. No liability is assumed for incorrect installation.

Operating Temperature

This equipment will operate correctly in its intended ambient, at a minimum between +50°F (+10°C) and 104°F (+40°C).

Relative Humidity

The equipment will operate correctly within an environment at 50% RH, +40°C. Higher RH may be allowed at lower temperatures.

Measures shall be taken by the Purchaser to avoid the harmful effects of occasional condensation.

Altitude

This equipment will operate correctly up to 2100 m above mean sea level.

Transportation and Storage

This equipment will withstand, or has been protected against, transportation and storage temperatures of -13°F (-25°C) to +130°F (+55°C) and for short periods up to 160°F (+70°C).

It has been packaged to prevent damage from the effects of normal humidity, vibration and shock.

1.3 Gasoline Engine Safety

1. Gas engines are designed to give safe and dependable service if operated according to instructions. Read and understand the engine manufacturer's Owner's Manual before operating the engine. Failure to do so could result in personal injury or equipment damage.
2. To prevent fire hazards and to provide adequate ventilation, keep the engine at least 1 meter (3 feet) away from buildings and other equipment during operation. Do not place flammable objects close to the engine.
3. People who are not operating the device must stay away from the area of operation due to a possibility of burns from hot engine components or injury from any equipment the engine may be used to operate.
4. Know how to stop the engine quickly, and understand the operation of all controls. Never permit anyone to operate the engine without proper instructions.
5. Gasoline is extremely flammable and is explosive under certain conditions.
6. Refuel in a well-ventilated area with the engine stopped. Do not smoke or allow flames or sparks in the refueling area or where gasoline is stored.
7. Do not overfill the fuel tank. After refueling, make sure the tank cap is closed properly and securely.
8. Be careful not to spill fuel when refueling. Fuel vapor or spilled fuel may ignite. If any fuel is spilled, make sure the area is dry before starting the engine.
9. Never run the engine in an enclosed or confined area. Exhaust contains poisonous carbon monoxide gas; exposure may cause loss of consciousness and may lead to death.
10. The muffler becomes very hot during operation and remains hot for a while after stopping the engine. Be careful not to touch the muffler while it is hot. To avoid severe burns or fire hazards, let the engine cool before transporting it or storing it indoors.
11. Never ship/transport sprayer with gasoline in the tank.



DO NOT use this equipment to spray water or acid.



Attention

Do not lift by cart handle when loading or unloading. Device is very heavy. Three-person lift is required.

1.4 Fueling (gas engine)



Gasoline is extremely flammable and is explosive under certain conditions.

Fuel Specifications

- Use automotive gasoline that has a pump octane number of 86 or higher, or that has a research octane number of 91 or higher. Use of a lower octane gasoline can cause persistent "pinging" or heavy "spark knock" (a metallic rapping noise) which, if severe, can lead to engine damage.



If "spark knock" or "pinging" occurs at a steady engine speed under normal load, change brands of gasoline. If spark knock or pinging persists, consult an authorized dealer of the engine manufacturer. Failure to do so is considered misuse, and damage caused by misuse is not covered by the engine manufacturer's limited warranty.

Occasionally you may experience light spark knock while operating under heavy loads. This is no cause for concern, it simply means your engine is operating efficiently.

- Unleaded fuel produces fewer engine and spark plug deposits and extends the life of the exhaust system components.
- Never use stale or contaminated gasoline or an oil/gasoline mixture. Avoid getting dirt, dust, or water in the fuel tank.

Gasolines Containing Alcohol

If you decide to use a gasoline containing alcohol (gasohol), be sure its octane rating is at least as high as that recommended by the engine manufacturer. There are two types of "gasohol": one containing ethanol, and the other containing methanol. Do not use gasohol that contains more than 10% ethanol. Do not use gasoline containing methanol (methyl or wood alcohol) that does not also contain co-solvents and corrosion inhibitors for methanol. Never use gasoline containing more than 5% methanol, even if it has co-solvents and corrosion inhibitors.



Fuel system damage or engine performance problems resulting from the use of fuels that contain alcohol is not covered under the warranty. The engine manufacturer cannot endorse the use of fuels containing methanol since evidence of their suitability is incomplete at this time.

Before buying gasoline from an unfamiliar station, try to find out if the gasoline contains alcohol. If it does, confirm the type and percentage of alcohol used. If you notice any undesirable operating characteristics while using a gasoline that contains alcohol, or one that you think contains alcohol, switch to a gasoline that you know does not contain alcohol.

2. Repairs



Prior to making any repairs, make sure to perform the Pressure Relief Procedure, section 4.6 of the Operation Manual. Additionally, follow all other warnings to reduce the risk of an injection injury, injury from moving parts or electric shock. Always unplug the sprayer before servicing!

2.1 Replacing the Motor Brushes (optional 120V electric motor, PL4955 only)

The 120V electric Convertokit is available for separate purchase.



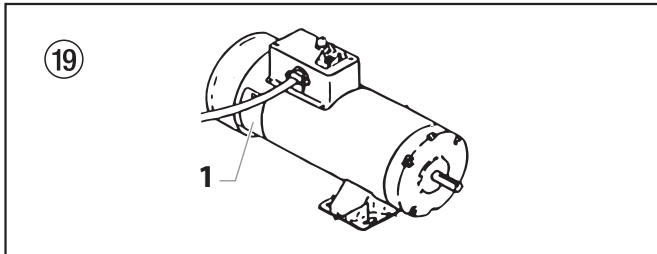
When installing the 120V Convertokit, strap down the front of the PowrLiner to prevent it from tipping backwards.

Perform this procedure using Motor Brush Kit P/N 978-050. The kit consists of two brushes, two springs, and two clips.

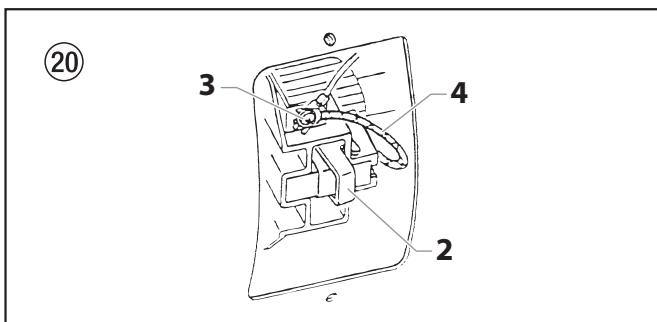


Brushes should be replaced when they are worn to less than 1/2 inch. Check and replace both brushes at the same time.

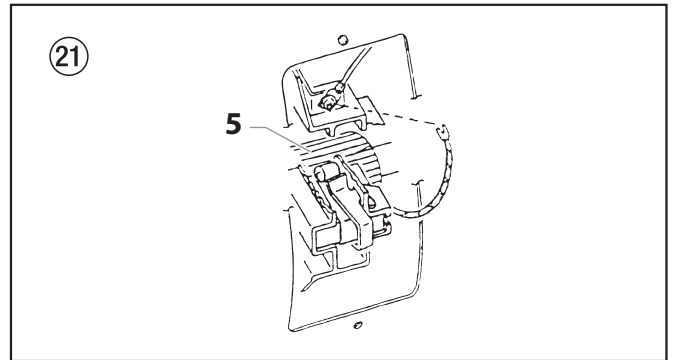
1. Remove both inspection covers (1) on the motor.



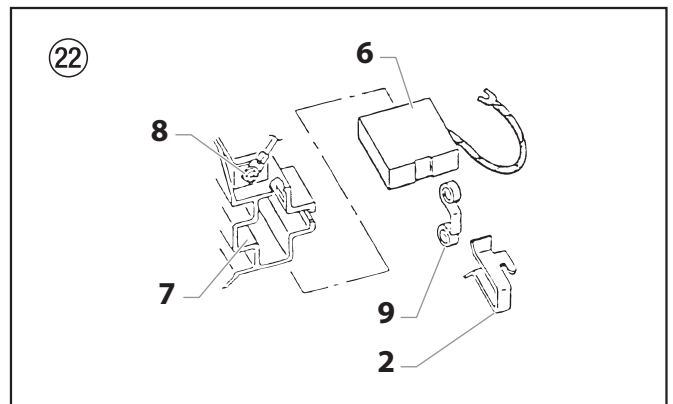
2. Push in the spring clip (2) to unhook it, then pull it out.
3. Loosen the terminal screw (3). Pull the brush lead (4) away, but leave the motor lead in place. Remove the brush and spring.



4. Inspect the commutator (5) for burning, excessive pitting or gouging. A black color on the commutator is normal.



5. Install the new brush (6) so its lead slides in the long slot of the brush holder (7). Push the terminal under the terminal screw washer (8). Ensure the motor lead is still connected at the screw. Tighten the screw.
6. Place the spring (9) on the brush (6) as shown above. Push in and hook the spring clip (2). Repeat this procedure for the other side.



7. Reinstall both inspection covers.



If electric motor overloads and stops running, IMMEDIATELY turn the motor off and follow the Pressure Relief Procedure in the Cleanup section of this manual. Wait until the motor cools (approximately 30 minutes). Then push in the bubble top, manual reset button, turn the motor on and pressurize the system.

2.2 Adjusting the Tracking of the Front Caster

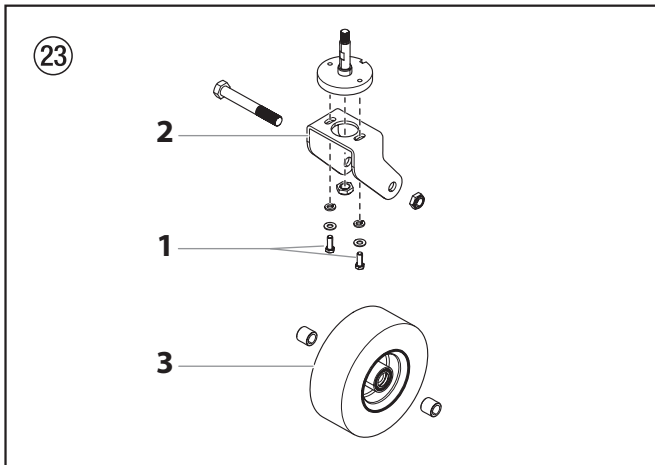
The front caster is set by the factory to track in a straight line. Use the following procedure if adjustment the caster becomes necessary.

1. Loosen the two hex screws (1) in the top of the caster mounting bracket (2).
2. Turn the caster mounting bracket (2) slightly in the desired direction.



The front caster locking pin must be engaged during tracking adjustment.

3. Tighten the two hex screws (1).
4. Check the tracking of the front caster (3). If the caster does not track straight, repeat the above procedure.



2.3 Replacing the Belt (Fig. 24)



Before replacing the belt on your unit, make sure you have performed the "Pressure Relief Procedure" as illustrated in the Operation section of this manual. DO NOT attempt this repair while the unit is running.



The graphics below show a unit with a gas engine. All instructions given in this section will apply to both gas engine models and electric motor models except where noted.

1. Loosen the bolt (1) on the front of the belt guard. Lift open the front end of the belt guard (2) so that the front end of the belt (3) is exposed.
2. Gently lift the front end of the gas engine / electric motor. This will loosen the tension on the belt and make it easier to remove.



PINCH HAZARD. Make sure your fingers remain clear of the gas engine / electric motor mounting plate.

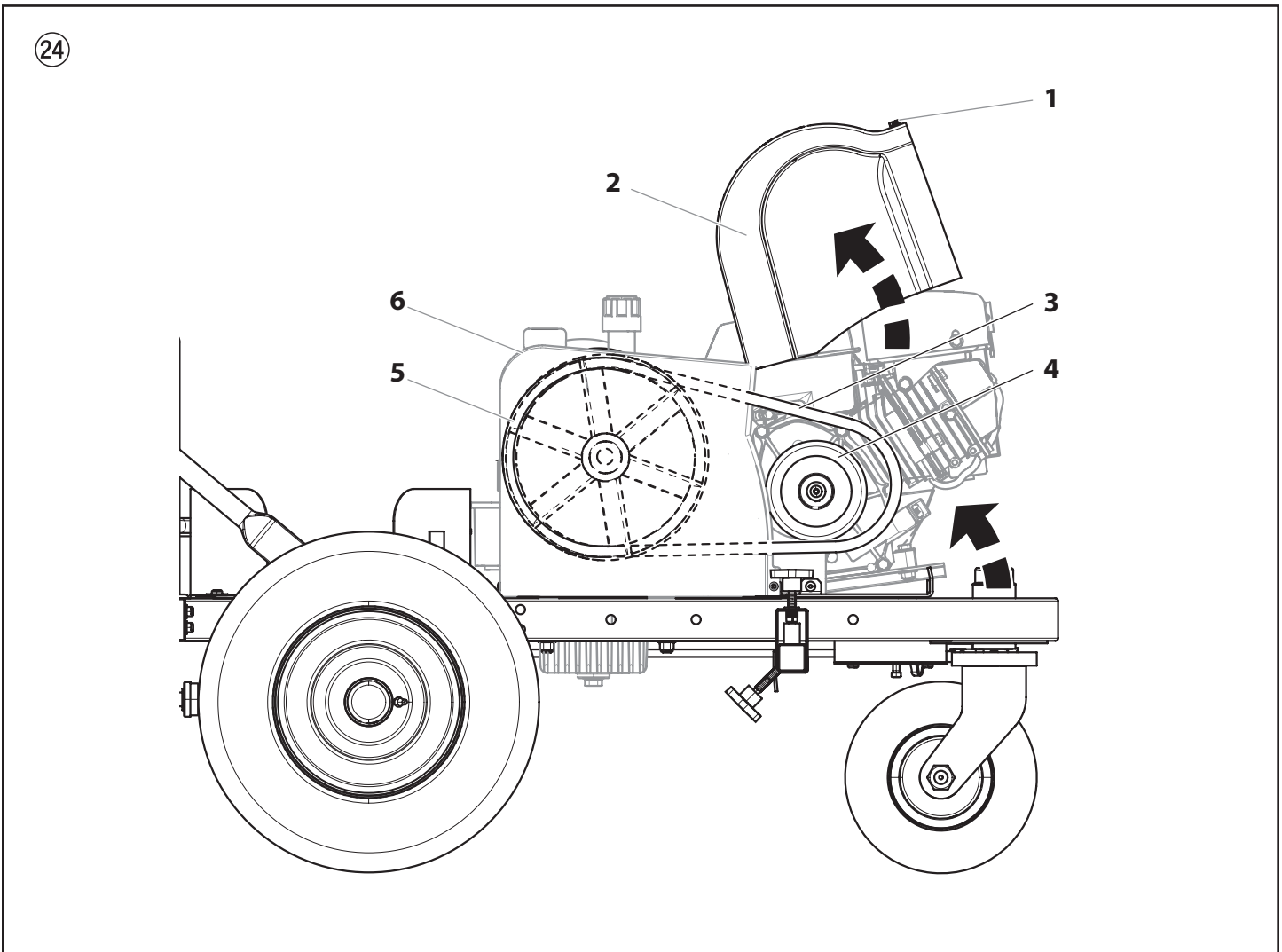
BURN HAZARD. Make sure the gas engine has had time to sufficiently cool before touching it.



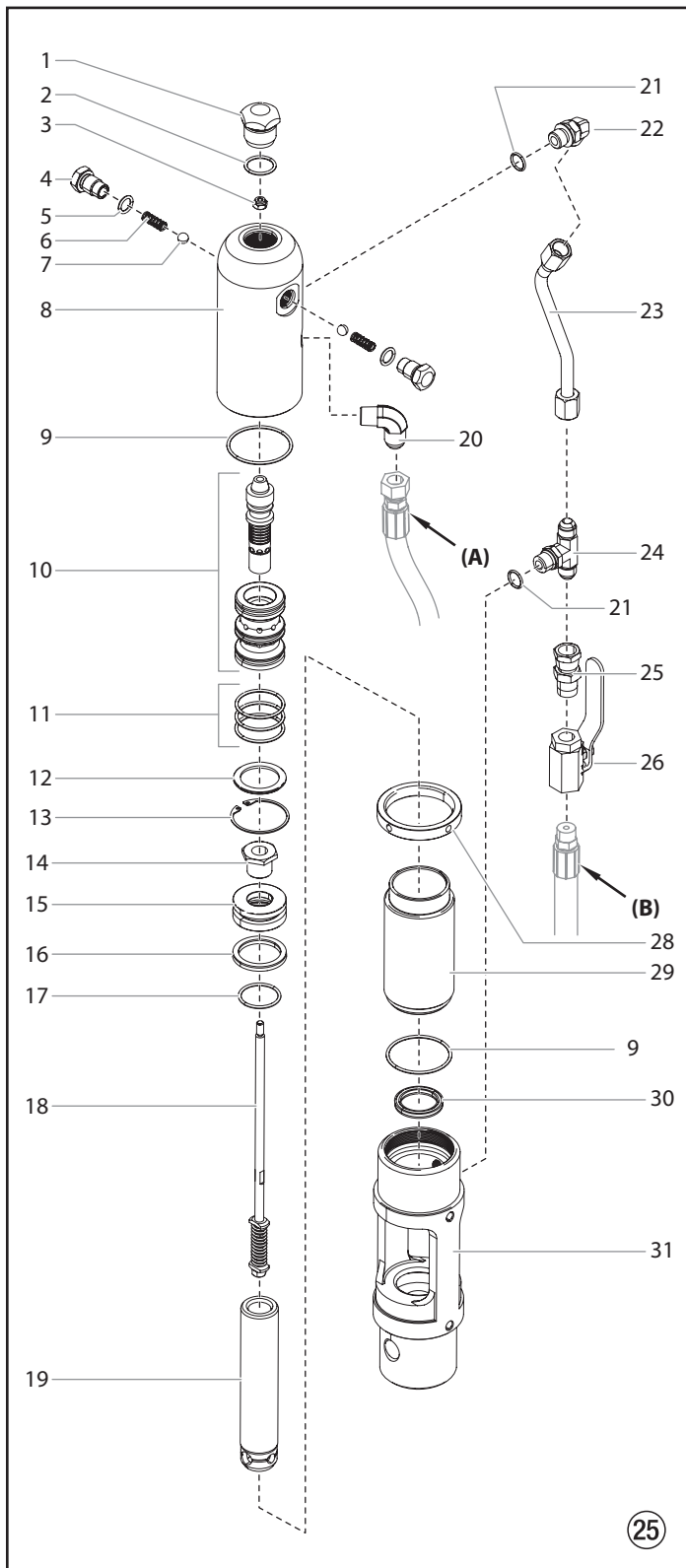
Attention

Make sure the belt is not pinched or twisted in any way once you have set the gas engine / electric motor back into place.

3. While the gas engine / electric motor is lifted up, remove the belt from the front (4) and rear (5) pulleys.
4. Install the new belt:
 - a. Insert the belt into the fixed section of the belt guard (6). Loop the belt over the rear pulley (5) until the belt engages the pulley groove.
 - b. Gently lift the front end of the gas engine / electric motor.
 - c. With the front end of the gas engine / electric motor lifted, loop the other end of the belt around the front pulley (4).
 - d. Gently set the the gas engine / electric motor down. The weight of the gas engine / electric motor will create tension in the belt and prevent it from coming off.
- e. Close the belt guard (2) and tighten the belt guard bolt (1).



2.4 Servicing the Hydraulic Motor (Fig. 25)



Refer to the "SAE O-Ring Fitting Installation" procedure at the end of this section for installation instructions for item 22 and 24.

Perform this procedure using the necessary parts from Motor Service Kit — Minor (P/N 235-050). If the hydraulic motor is operable, start the machine and jog the piston rod (19) into its top position.



Servicing of the hydraulic motor should be carried out in a clean, dust free area only. Any dust or metallic particles left in the motor or entering it on reassembly may damage the critical parts and affect its service life and warranty. All parts should be inspected for absolute cleanliness.

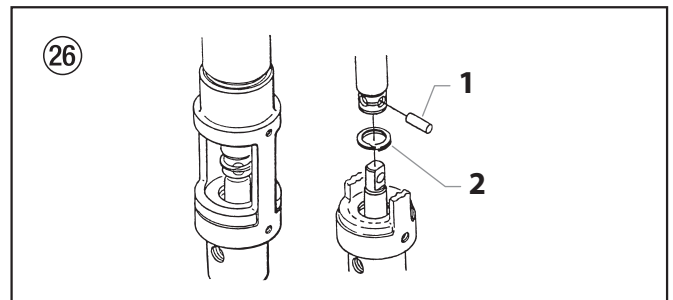
Disassembling the Hydraulic Motor

1. Disconnect the pressure hose assembly (B) from the elbow on the back of the hydraulic pump.
2. Remove the two mounting screws and two lock washers that attach the motor/pump assembly to the pump support on the cart.
3. Place the motor/pump assembly in a vise, holding it securely by the motor/pump block (31).
4. Remove cylinder head plug (1).
5. Loosen lock ring (28) with a spanner wrench and unthread tube retaining nut on tee (24). Loosen tube retaining nut on elbow (22). Slide the nut down. Remove motor tube assembly (23). Slowly unthread cylinder head (8) and lift it just high enough above the cylinder (29) to reach the valve rod assembly (18) with vise grip pliers.
6. The piston rod (19) should be near the top of its stroke for disassembly. It may be necessary to use a wood or nylon driver to push the piston rod up to its top position.
7. Grip the valve rod securely with vise grip pliers and then remove the FlexLoc nut (3) from the top of the valve rod assembly (18). Be careful that spool (10) does not fall. The cylinder head (8) can now be lifted off. Unthread the cylinder (29) from the motor/pump block (31).



An extra lock ring (28) can be used to jam the two lock rings together on the cylinder and a pipe wrench can be used to unthread the cylinder (29) from the motor/pump block.

8. To remove the connecting pin (Fig. 26, 1), slide the retaining ring (2) down with a small screwdriver, and then push the connecting pin out.



9. Remove the piston rod assembly from the motor/pump block (31).
10. Remove rod seal (30), being extremely careful not to scratch the seal groove in the motor/pump block (31).
11. Place the piston retainer screw (14) on the piston rod assembly in a vise. Slide a long bar through the hole at the base of the piston rod for leverage, and unthread the piston rod from the piston retainer screw.
12. Remove piston (19) and lift out valve rod assembly (18).

13. Remove piston seal (16) and o-ring (17).
14. Remove trip retainers (4), trip springs (6), and balls (7) from cylinder head (8). Remove o-rings (5) from trip retainers.
15. Remove retaining ring (13) and sleeve retainer (12). Gently tap spool/sleeve set (10) out of cylinder head (8) using a wood or nylon rod.
16. Inspect piston rod (19) and cylinder (29) for wear, scratches, and dents. Replace if damaged.
17. Inspect spool valve (10) for wear. Replace if necessary. spool valve should move smoothly and freely with no force by holding in a vertical position. If it does not, it can cause the motor to stall.

rod pass through the top of the spool/sleeve set (10). The valve rod threads must be clean and free of oil. Place one drop of blue Loctite on threads of flex lock nut (3) and thread nut onto valve rod to full tight position (do not over-tighten) while holding valve rod below with vise grip pliers.

13. Thread cylinder head (8) down onto the cylinder (29) and then back off just enough to reassemble hydraulic fittings and motor tube (23). Tighten lock ring with spanner wrench to hold cylinder head in position.
14. Install o-ring (2) onto cylinder head plug (1). Tighten.

Reassembling the Hydraulic Motor

1. Separate spool/sleeve set (10). Place o-rings (11) onto sleeve. Lubricate o-rings with hydraulic oil. Gently push the sleeve into cylinder head (8) with the flatter side of the sleeve facing out. Use a nylon rod to tap sleeve down until it reaches its full depth. Do not use any other type of tool that might damage or leave particles or residue on the sleeve. Install the spool through the top of the cylinder head, down into the sleeve.



Do not use Piston Lube pump packing lubricant. It is a solvent and will severely damage seals and O-Rings of the hydraulic motor.

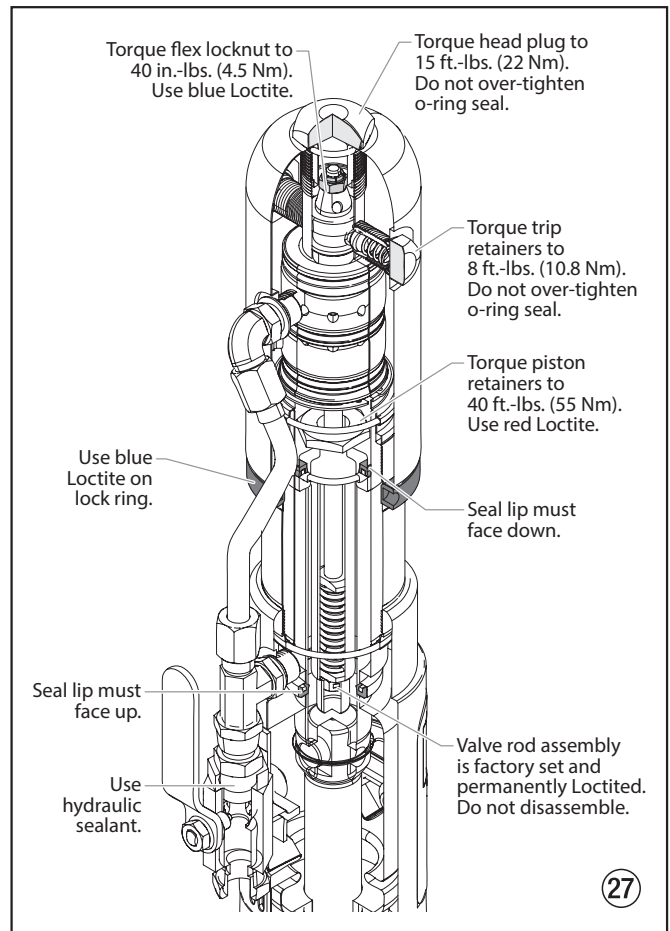
2. Install o-rings (5) on trip retainers (4). Install trip retainer balls (7) followed by springs (6) which, when installed, will hold spool/sleeve set (10) in proper place for assembly.
3. Install sleeve retainer (12) followed by retainer ring (13) into cylinder head (8), which will hold valve sleeve in place. Install o-ring (9) in the o-ring groove of the cylinder head.
4. Replace rod seal (30) in motor/pump block (31). Be sure the open portion of the seal is facing upward (V). This seal requires no special tool.
5. Place piston rod (19) in vise. Inspect valve rod assembly (18) for any damage. Make sure the lock nut at the bottom of the valve rod assembly is secure. DO NOT remove. Then, place into piston rod as illustrated. Install o-ring (17), lubricating it well and replacing piston (15) onto piston rod (19). Put one drop of blue Loctite on the piston retainer screw (14). Tighten piston retainer screw until piston is locked into place. Check valve rod assembly for normal spring action at this time.
6. Install piston seal (16) with lips facing downward. Carefully install o-ring (17). Expand the ring and stretch it sufficiently for installation.
7. With motor/pump block (31) still in vise, install rod seal (30) by pushing it towards its groove with a properly sized blunt rod. Then complete installation with the fingers. No tool is necessary. Do not twist the seal.
8. Pre-lubricate the piston and valve rod assembly with Coolflo™ hydraulic fluid (P/N 430-361). Install piston rod (19) into motor/pump block (31) with a gently pushing and rotating motion to work the piston rod in through the rod seal (30).



Inspect the bottom of piston rod (19) for nicks or sharp areas that could damage the piston seal during installation through the motor/pump block (31).

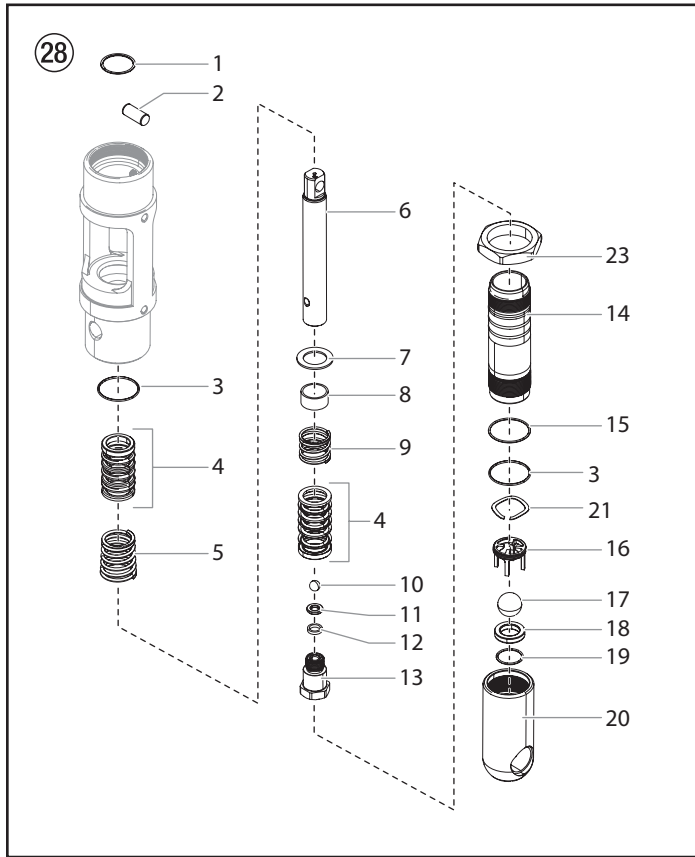
9. Replace the connecting rod pin and retainer ring.
10. Install o-ring (9) on cylinder wall. Lubricate ring and inner wall. With the piston rod held firmly, the cylinder should be gently driven over the piston seal with a rubber mallet. Tightly thread the cylinder into motor/pump block (31).
11. Raise piston rod (19) to top position and thread lock ring (28) all the way up on upper threads of cylinder (29).
12. Pull valve rod assembly (18) up as far as it will travel and grasp it with vise grip pliers. Then install cylinder head (8), already assembled, over valve rod until the top threads of the valve

Hydraulic Motor Cut-Away

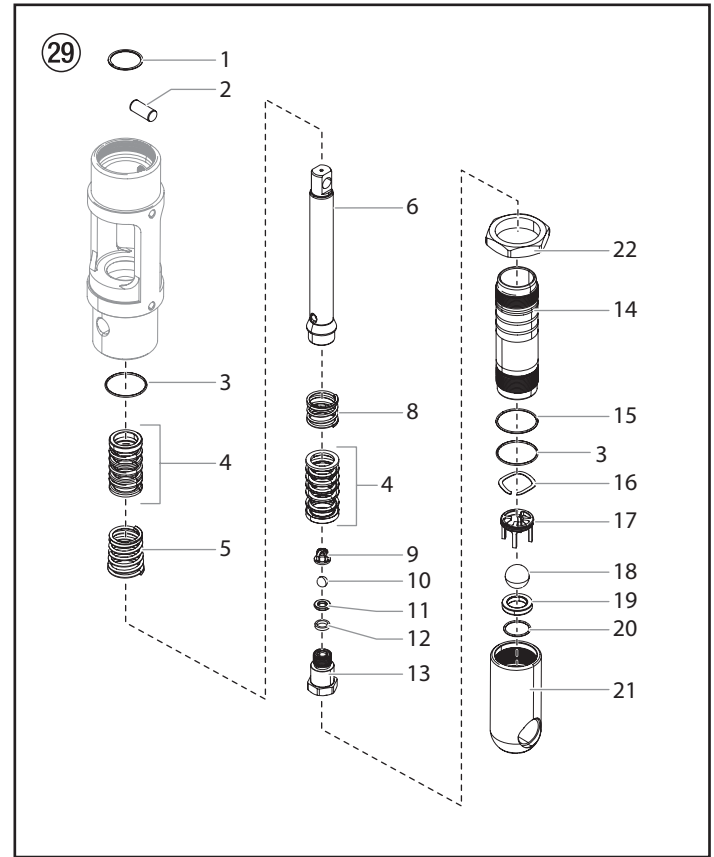


2.5 Servicing the Fluid Section

PL4955



PL6955 / PL8955



Use of non-Titan service parts may void warranty. Ask for original parts made by Titan for best services. This pump should receive a routine servicing after approximately 1,000 hours of use. Earlier servicing is required if there is excessive leakage from the top packing or if pump strokes become faster on one stroke or the other. The use of Titan Piston Lube (P/N 314-480) is recommended as an upper packing lubricant. Do not substitute oil, water, or solvent for an upper packing lubricant.



Numbers in parentheses refer to the item numbers in the fluid section illustrations. If there are two numbers, the first number represents the item number for the PL4955 and the second number represents the item number for the PL6955 / PL8955.

Disassembling the Fluid Section

- 1a. Remove the siphon hose assembly. Unthread the foot valve housing (20,21) and the pump cylinder (14) with a strap wrench.
- i** **If the pump cylinder (14) cannot be removed with a strap wrench, use the jam nut (23, 22) to remove it from the pump housing.**
- 1b. Loosen the jam nut (23, 22) on the cylinder until it bottoms out on the cylinder threads. Place a wrench on the flats of the jam nut and turn the wrench counterclockwise to loosen the cylinder.
 2. Slide the retainer ring (1) up with a small screwdriver, then push the connecting pin (2) out.
 3. Pull the displacement rod (6) through the lower cavity of the motor/pump block.
 4. Remove the PTFE o-ring (3), upper packing spring (5), and upper packing set (4) from the motor/pump block.
 5. Hold the displacement rod (6) in a vise by the flats at the top of the displacement rod and remove the outlet valve housing (13) with a wrench while holding the displacement rod horizontal with wooden support, if necessary. Remove the seal washer (12), outlet valve seat (11), outlet valve ball (10), outlet valve cage (9, PL6955/PL8955) lower packing set (4), lower packing spring (9,8), sleeve (8, PL4955 only), and spring retainer (7, PL4955 only).
 6. Using a 1/2" extension bar attached to a 1/2" drive ratchet, insert the end of the extension bar into the square opening of the foot valve cage (16,17) inside the foot valve housing

- (20,21). Unscrew and remove the foot valve cage along with the wave washer (21,16) from the foot valve housing.
7. Remove the PTFE o-ring (3), foot valve ball (17,18), foot valve seat (18,19), and seat o-ring (19,20) from the foot valve housing (20,21).
8. Remove the o-ring (15) from the pump cylinder (14)

16. Thread the short threads of the pump cylinder (14) into the motor/pump block and tighten with a strap wrench.
17. Place the o-ring (15) onto the top groove of the pump cylinder (14).
18. Thread the foot valve housing (20,21) onto the pump cylinder (14), tighten with a strap wrench and then back off to align the siphon hose.

Reassembling the Fluid Section

i Use PTFE tape on all threaded pipe connections.

1. Place a new seat o-ring (19,20) into the groove in the bottom of the foot valve housing (20,21).
2. Inspect the foot valve seat (18,19) for wear. If one side is worn, flip the seat to the unused side. If both sides are worn, install a new seat. Place the new or flipped seat (worn side down) into the bore at the bottom of the foot valve housing (20,21).
3. Place a new foot valve ball (17,18) onto the foot valve seat (18,19). Using a 1/2" extension bar attached to a 1/2" drive ratchet, insert the end of the extension bar into the square opening of the foot valve cage (16,17) and screw the foot valve cage into the foot valve housing (20,21). Torque the cage to 240 in.-lbs. (20 ft.-lbs.).
4. Place the wave washer (21, 16) on top of the foot valve cage (16,17).
5. Insert a new PTFE o-ring (3) into the groove of the foot valve housing (20,21). Lubricate the o-ring using oil or grease.
6. After soaking the leather packings in oil (preferably linseed oil), reassemble the lower packing set (4). Place the set onto the outlet valve housing (13) with the peak of the "V" packings pointing down toward the hex on the outlet valve housing.

i All leather packings must be soaked in CoolFlo hydraulic oil for 15–20 minutes before installation. Soaking the packings too long will cause the packings to swell and create difficulty during reassembly.

7. Inspect the outlet valve seat (11) for wear. If one side is worn, flip the seat to the unused side. If both sides are worn, use a new seat. Insert the outlet valve cage (9, PL6955/PL8955) outlet valve ball (10), new or flipped seat (worn side away from ball), and a new seal washer (12) into the displacement rod (6).
8. Clean the threads on the outlet valve housing (13) and coat the threads with blue Loctite #242. Make sure the Loctite is only on the threads.
9. Place the lower packing spring (9,8) onto the outlet valve housing (13) followed by the sleeve (8, PL4955 only) and spring retainer (7, PL4955 only).
10. Screw the displacement rod (6) and the outlet valve housing (13) together. Tighten in a vise to 50 ft.-lbs. (68 Nm).
11. Insert the PTFE o-ring (3) into the upper groove of the motor/pump block.
12. Insert the upper packing set (4) into the motor/pump block with the peak of the "V" packings pointing up toward the motor.

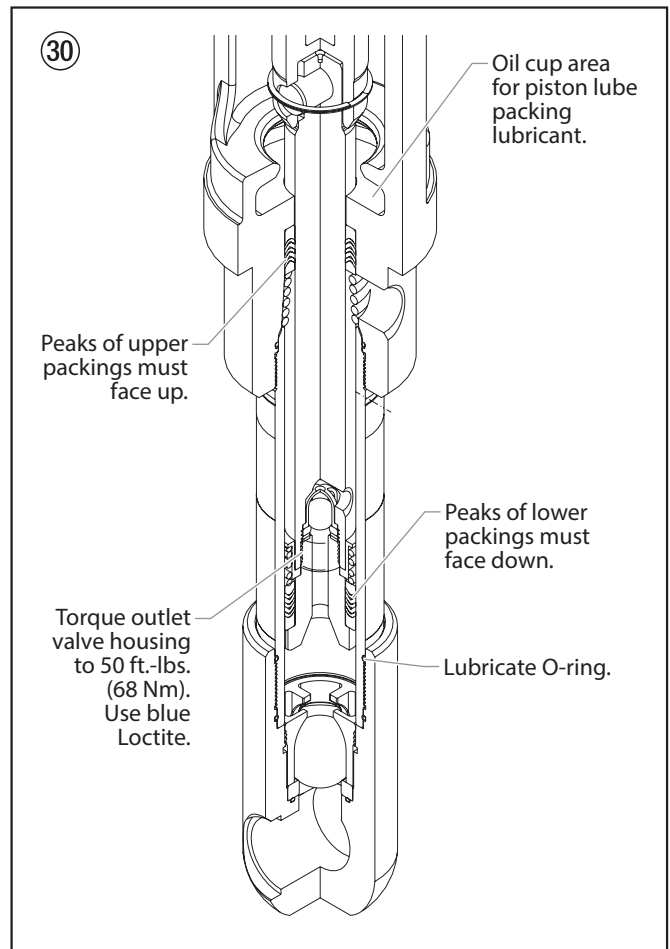
i The packings must be soaked in CoolFlo hydraulic oil before installation.

13. Place the upper packing spring (5) into the motor/pump block with the small tapered end facing up toward the motor/pump block.
14. Insert the displacement rod (6) up through the upper packings in the motor/pump block.
15. Align the holes in the displacement rod (6) and the hydraulic piston rod and insert the connecting pin (2). Replace the retaining ring (1) over the connecting pin.

i It is not necessary to over-tighten the foot valve housing. O-ring seals perform sealing function without excessive tightening. Full thread engagement is sufficient. The foot valve housing may be rotated backward up to 1/2 turn from full engagement for convenient hose position.

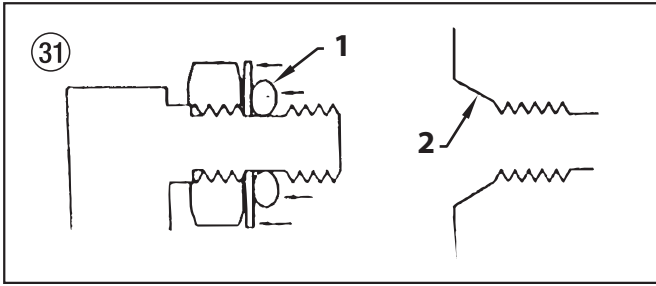
For siphon hose attachment, it is critically important that the threads of the siphon hose fit snugly into the foot valve housing with the hose assembly couplings PTFE taped and sealed to prevent air leakage.

Fluid Section Cut-Away

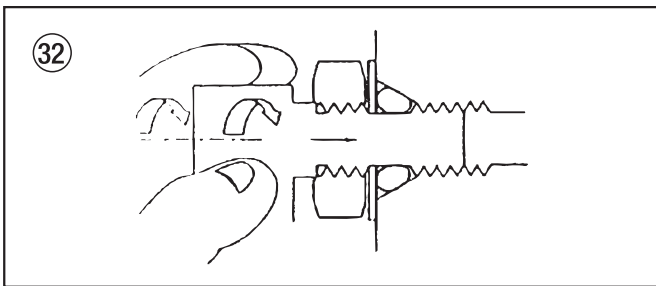


2.6 SAE O-Ring Fitting Installation

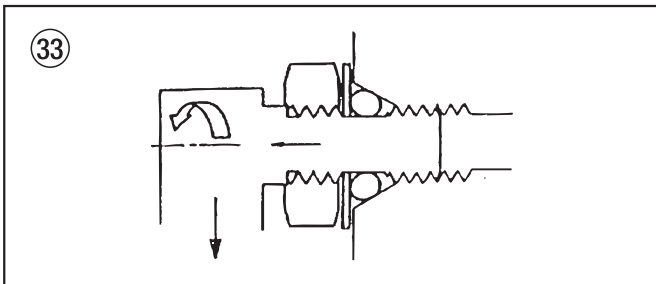
1. Pull washer and o-ring back as far as possible.
2. Lubricate o-ring (1) and entrance port (2).



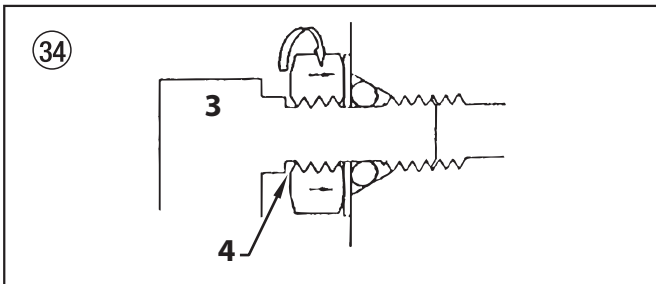
3. Screw fitting in until washer pushes o-ring into entrance and sits flat against port. (Do not tighten! - only do this step hand tight to compress o-ring into port!)



4. Back fitting out no more than one complete turn to align as required.



5. Torque nut wrench tight holding backup on fitting (3). This should expose a recess gap (4) behind the nut which can act as an indicator that the fitting is assembled correctly. (This is a feature for a specific version of this fitting only - which screws into the cylinder head. Other fittings, as the ones which attach to the hydraulic pump, assemble the same but may not have the indicator.)



Attention

Avoid screwing in the fitting too far. This can cause the washer to bend, which will cause the O-ring to extrude.

Avoid leaving the fitting out too far. This can lead to the O-ring being cut on the threads of the fitting.

3. Troubleshooting

3.1 Airless Gun

Problem	Cause	Solution
A. Spitting gun	<ol style="list-style-type: none"> Air in system Dirty gun Needle assembly out of adjustment Broken or chipped seat 	<ol style="list-style-type: none"> Inspect connections for air leaks. Disassemble and clean. Inspect and adjust. Inspect and replace.
B. Gun will not shut off	<ol style="list-style-type: none"> Worn or broken needle & seat Needle assembly out of adjustment Dirty gun 	<ol style="list-style-type: none"> Replace. Adjust. Clean.
C. Gun does not spray	<ol style="list-style-type: none"> No paint Plugged filter or tip Broken needle in gun 	<ol style="list-style-type: none"> Check fluid supply. Clean. Replace.

3.2 Fluid Section

Problem	Cause	Solution
A. Pump delivers on upstroke only or goes up slowly and down fast (commonly called downstroke dive)	<ol style="list-style-type: none"> Lower foot valve ball is not seating due to trash or wear Material too viscous to siphon. Air leaking in on siphon side or damaged siphon hose. Siphon may be too small for heavy material. 	<ol style="list-style-type: none"> Remove foot valve assembly. Clean and inspect. Test foot valve by filling with water; if ball fails to seal the seat, replace ball. Thin material — contact manufacturer for proper thinning procedures. Tighten all connections between pump and paint container. If damaged, replace. Switch to larger diameter siphon set.
B. Pump delivers on down stroke only or goes up fast and down slowly	<ol style="list-style-type: none"> Upper ball is not seating due to trash or wear Lower packing set is worn 	<ol style="list-style-type: none"> Check upper seat and ball with water. If ball fails to seal, replace seat. Replace packing set if worn.
C. Pump moves up and down fast, delivering material	<ol style="list-style-type: none"> Material container is empty or material is too thick to flow through siphon hose Bottom ball stuck to foot valve seat Siphon hose is kinked or loose 	<ol style="list-style-type: none"> Refill with new material. If too thick, remove siphon hose, immerse fluid section in material, and start pump to prime. Add thinner to material. Change to bigger siphon set. Open bleed valve to remove air and restart pump. Remove foot valve. Clean ball and seat. Straighten.
D. Pump moves up and down slowly when spray gun is shut off	<ol style="list-style-type: none"> Loose connections. Bleed valve is open partially or bleed valve is worn. Lower packing seat is worn. Upper and/or lower ball not seating 	<ol style="list-style-type: none"> Check all connections between pump and gun. Tighten as necessary. If material is flowing from bleed hose, close bleed valve or replace, if necessary. Should none of the above be evident, replace lower packing. Reseat balls by cleaning.
E. Not enough fluid pressure at gun	<ol style="list-style-type: none"> Spray tip is worn Outlet filter or gun filter is clogged Low voltage and/or inadequate amperage Hose size or length is too small or too long 	<ol style="list-style-type: none"> Replace. Clean or replace filter. Check electrical service. Correct as required. Increase hose size to minimize pressure drop through hose and/or reduce hose length.
F. Pump chatters on up or down stroke	<ol style="list-style-type: none"> Solvent has caused upper packing to swell 	<ol style="list-style-type: none"> Replace packing.

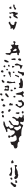
3.3 Hydraulic Motors

Problem	Cause	Solution
A. Oil motor stalls at bottom (no unusual heat problems)	<ol style="list-style-type: none"> 1. Fluid pump piston seat unthreaded 2. Valve sticking or oil motor trip rod shifter assembly separated 	<ol style="list-style-type: none"> 1. If connecting rod is okay, remove cylinder head plug and pop valve down. Replace plug and start machine. If machine cycles up and stops at bottom again, then problem is piston seat on fluid pump. Check piston seat. Repair or replace as necessary. If piston seat is okay and problem does not change, check oil motor. 2. Remove valve and check for scratches and rough movement when sliding it up and down. Replace valve and spool in this condition. Check trip rod for possible separation. and spool in this condition. Check trip rod for possible separation.
B. Oil motor stalls at top (no unusual heat problems)	<ol style="list-style-type: none"> 1. Valve sticking 2. Broken spring retainer (valve rod assembly) 3. Broken spring or valve rod 4. Air in hydraulic motor 5. Air in fluid pump 	<ol style="list-style-type: none"> 1. Remove valve and check for scratches and rough movement when sliding it up and down. Replace valve and spool in this condition. 2. Replace valve rod assembly. 3. Replace valve rod assembly. 4. Reset valve. Purge Air, generally accomplished by low pressure cycling of motor/pump assembly for 5–10 minutes. Check for causes of air introduction: <ul style="list-style-type: none"> • Loose fittings in tank. • Loose fittings on hydraulic pump. • Loose hose connections. • Low oil in reservoir. 5. Stall at top can occur randomly when fluid pump picks up air. Reset valve. Avoid air in the fluid pump.
C. Low pressure (okay on down stroke, sluggish on up.stroke — high heat)	<ol style="list-style-type: none"> 1. Blown piston seal 2. Cracked piston 	<ol style="list-style-type: none"> 1. Before dismantling oil motor, start machine. With pump cycling under pressure, touch the hydraulic cylinder and the head to see if cylinder or head gets hotter. This will help determine if piston seal is blown or piston nut is broken. If heat is on the head, check the o-rings on spool valve. 2. Dismantle oil motor and check piston seals cylinder bore and piston nut. Pay special attention to piston nut. It can be cracked and not show externally.
Note: Engine labors on upstroke, idles back at stall on the down stroke.		
D. Low pressure (both strokes - high heat)	<ol style="list-style-type: none"> 1. Blown center o-rings on spool valve 2. Bad hydraulic pump 	<ol style="list-style-type: none"> 1. Before dismantling oil motor, start machine. With pump cycling under pressure, touch the head to see if the head becomes hotter. This will help determine if center o-ring is blown on spool valve. If hot, remove and replace o-ring. 2. Replace hydraulic pump.
Note: Engine labors at stall on both strokes.		

3.4 Spray Patterns

Problem

A. Tails



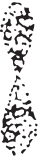
Cause

1. Inadequate fluid delivery

Solution

1. Fluid not atomizing correctly: Increase fluid pressure. Change to smaller tip orifice size. Reduce fluid viscosity. Reduce hose length. Clean gun and filter(s). Reduce number of guns using pump.

B. Hour glass



1. Inadequate fluid delivery

1. Same as above.

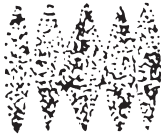
C. Distorted



1. Plugged or worn nozzle tip

1. Clean or replace nozzle tip.

D. Pattern expanding and contracting (surge)



1. Suction leak
2. Pulsating fluid delivery

1. Inspect for suction hose leak.
2. Change to a smaller tip orifice size. Install pulsation dampener in system or drain existing one. Reduce number of guns using pump. Remove restrictions in system; clean tip screen if filter is used.

E. Round pattern



1. Worn tip
2. Fluid too heavy for tip

1. Replace tip.
2. Increase pressure. Thin material. Change nozzle tip.

Warnung!

**Achtung: Verletzungsgefahr durch Injektion!
Airless-Geräte entwickeln extrem hohe Spritzdrücke.**



1

Niemals Finger, Hände oder andere Körperteile mit dem Spritzstrahl in Berührung bringen!

Nie die Spritzpistole auf sich, Personen und Tiere richten.

Nie die Spritzpistole ohne Spritzstrahl-Berührungsschutz benutzen.

Behandeln Sie eine Spritzverletzung nicht als harmlose Schnittverletzung. Bei einer Hautverletzung durch Beschichtungsstoff oder Lösemittel sofort einen Arzt aufsuchen zur schnellen, fachkundigen Behandlung. Informieren Sie den Arzt über den verwendeten Beschichtungsstoff oder das Lösemittel.

2

Vor jeder Inbetriebnahme sind gemäß Betriebsanleitung folgende Punkte zu beachten:

1. Fehlerhafte Geräte dürfen nicht benutzt werden.
2. Titan-Spritzpistole sichern mit Sicherungshebel am Abzugsbügel.
3. Erdung sicherstellen.
4. Zulässigen Betriebsdruck von Hochdruckschlauch und Spritzpistole überprüfen.
5. Alle Verbindungsteile auf Dichtheit prüfen.

3

Anweisungen zur regelmäßigen Reinigung und Wartung des Gerätes sind streng einzuhalten.

Vor allen Arbeiten am Gerät und bei jeder Arbeitspause folgende Regeln beachten:

1. Spritzpistole und Hochdruckschlauch druckentlasten.
2. Titan-Spritzpistole sichern mit Sicherungshebel am Abzugsbügel.
3. Gerät ausschalten.

Achte auf Sicherheit!

Inhalt

	Seite
1. Sicherheitsvorschriften für das Airless-Spritzen	18
1.1 Erklärung der verwendeten Symbole.....	18
1.2 Elektrische Sicherheit.....	19
1.3 Benzinmotoren-Betriebssicherheit.....	20
1.4 Betanken (Benzinmotor).....	20
2. Reparaturen am Gerät	21
2.1 Auswechseln der Motorbürsten (optional 120 V elektrischer Motor).....	21
2.2 Abstimmen der Laufspur des Frontalsprühers.....	22
2.3 Auswechseln des Riemens.....	23
2.4 Wartung des Hydraulikmotors	24
2.5 Unterhalt des Flüssigkeitsbereiches.....	26
2.6 Montageanleitung zum SAE O-Ring	28
3. Fehlerbehebung	29
3.1 Airless-Spritzpistole.....	29
3.2 Flüssigkeitsbereich	29
3.3 Hydraulikmotor.....	30
3.4 Spritzmuster.....	31
Zubehör und Ersatzteile	48
Ersatzteilliste Hauptbaugruppe	48/49
Ersatzteilliste Wagen I.....	50/51
Ersatzteilliste Wagen II.....	52/53
Ersatzteilliste Hydrauliksystem.....	54/55
Ersatzteilliste Hydraulikmotor	56/57
Ersatzteilliste Flüssigkeitsbereich • PL4955.....	58/59
Ersatzteilliste Flüssigkeitsbereich • PL6955 / PL8955	60/61
Ersatzteilliste Convertokit, Benzinmotor	62
Ersatzteilliste Keilriemenbaugruppe	63
Ersatzteilliste Hochdruckfilter.....	64/65
Ersatzteilliste Ablassschlauchbaugruppe mit Ventil	66
Ersatzteilliste Ablassschlauchbaugruppe.....	67
Ersatzteilliste Sprüherbaugruppe.....	68
Ersatzteilliste Baugruppe Hebe-/Kippvorrichtung	69
Ersatzteilliste Baugruppe Pistolenhalter	70
Anschlussplan hydraulischer Schlauch	71
Schaltplan (PL4955)	72
Schaltplan (PL6955/PL8955)	73
Zubehör für PL-Geräte	74
Streifendüsen.....	76
Streifendüsentabelle.....	78
Ersatzteilliste Convertokit, Elektromotor (120V)	79
Garantie	80

1. Sicherheitsvorschriften für das Airless-Spritzen

1.1 Erklärung der verwendeten Symbole

Diese Bedienanleitung enthält Informationen, die der Benutzer vor Verwendung des Geräts gründlich durcharbeiten muss. In Bereichen, die mit den folgenden Symbolen gekennzeichnet sind, besonders vorsichtig arbeiten und alle Sicherheitshinweise beachten.

	Dieses Symbol verweist auf eine potenzielle Gefahr, die zum Tode oder zu schweren Verletzungen führen kann. Hier finden Sie wichtige Sicherheitsinformationen.
 Achtung	Dieses Symbol weist auf eine potenzielle Gefahr für Sie bzw. das Gerät hin. Unter diesem Symbol finden Sie wichtige Informationen, wie Sie Schäden an dem Gerät und Verletzungsgefahr vermeiden.
	Injektionsgefahr
	Brandgefahr durch Lösemittel und Farbdämpfe
	Explosionsgefahr durch Lösemittel, Farbdämpfe und ungeeignete Materialien
	Verletzungsgefahr durch das Einatmen von schädlichen Dämpfen
	Hinweise enthalten wichtige Informationen, die beachtet werden sollten.



GEFAHR: Verletzung durch Flüssigkeiten unter Druck

Eine unter hohem Druck stehende Flüssigkeit, wie sie von diesem Gerät erzeugt wird, kann die Haut durchdringen und in das darunter liegende Bindegewebe eindringen und so zu schweren Verletzungen und selbst zur Amputation führen.

Behandeln Sie eine Spritzverletzung nicht als harmlose Schnittverletzung. Bei einer Hautverletzung durch Beschichtungsstoff oder Lösemittel sofort einen Arzt aufsuchen zur schnellen, fachkundigen Behandlung. Informieren Sie den Arzt über den verwendeten Beschichtungsstoff oder das Lösemittel.

VORSICHTSMASSNAHMEN:

- NIEMALS die Spritzpistole auf Körperteile halten.
- NIEMALS mit Körperteilen den Flüssigkeitsstrahl berühren. NIEMALS mit dem Körper eine Leckstelle im Druckschlauch berühren.
- NIEMALS die Hand vor die Düse der Spritzpistole halten. Handschuhe stellen keinen sicheren Schutz vor Verletzungen durch injizierte Flüssigkeiten dar.
- STETS den Auslöser der Spritzpistole verriegeln, die Pumpe ausschalten und den Druck vollständig entspannen, bevor Wartungs- und Reinigungsarbeiten, Durchsichten, Düsenwechsel oder ähnliche Arbeiten durchgeführt werden oder das Gerät unbeaufsichtigt gelassen wird. Auch nach dem Ausschalten des Motors steht das Gerät noch unter Druck. Das Ventil PRIME/SPRAY (Vorfüll-/Sprühventil) bzw.

das Druckentlastungsventil müssen in ihren Sollpositionen stehen, um den Systemdruck zu entspannen.

- STETS den Düsenschutz aufsetzen, wenn Spritzarbeiten durchgeführt werden. Der Düsenschutz stellt einen gewissen Schutz dar, ist aber vor allem als Warnvorrichtung gedacht.
- STETS die Spritzdüse entfernen, bevor das System gereinigt oder gespült wird.
- NIEMALS eine Spritzpistole ohne funktionsfähige Auslöserverriegelung und ohne Auslöserbügel verwenden.
- Das gesamte Zubehör muss mindestens für den maximalen Betriebsdruckbereich des Spritzgeräts zugelassen sein. Dazu gehören Spritzdüsen, Spritzpistolen, Verlängerungen und Schlauch.



GEFAHR: Hochdruckschlauch

Durch Verschleiß, Knicken und nicht zweckentsprechende Verwendung können sich Leckstellen im Farbschlauch bilden. Durch eine Leckstelle kann Flüssigkeit in die Haut injiziert werden. Vor Verwendung den Schlauch gründlich prüfen.

VORSICHTSMASSNAHMEN:

- Scharfes Biegen oder Knicken des Hochdruckschlauhes vermeiden, kleinster Biegeradius etwa 20 cm.
- Hochdruckschlauch nicht überfahren, sowie vor scharfen Gegenständen und Kanten schützen.
- Beschädigten Hochdruckschlauch sofort ersetzen.
- Niemals defekten Hochdruckschlauch selbst reparieren!
- Elektrostatische Aufladung von Spritzpistole und Hochdruckschlauch wird über den Hochdruckschlauch abgeleitet. Deshalb muss der elektrische Widerstand zwischen den Anschlüssen des Hochdruckschlauchs gleich oder kleiner ein Megaohm betragen.
- Aus Gründen der Funktion, Sicherheit und Lebensdauer, nur Titan-Original-Ersatzhochdruckschläuche verwenden.
- Vor jedem Einsatz alle Schläuche auf Einschnitte, Leckstellen, Scheuerstellen oder gewölbte Oberflächen kontrollieren. Die Kupplungen auf Unversehrtheit und festen Sitz kontrollieren. Schläuche unverzüglich ersetzen, wenn einer der oben genannten Fehler festgestellt wird. Einen Farbschlauch niemals reparieren. Einen defekten Schlauch durch einen geerdeten Hochdruckschlauch ersetzen.
- Achten Sie darauf, Spritzschläuche so zu verlegen, dass die Rutsch-, Stolper-, und Unfallgefahr minimiert wird.



GEFAHR: Explosions- und Brandgefahr

Brennbare Dämpfe, wie z. B. Dämpfe von Lösungsmitteln und Farben können sich in den Arbeitsbereichen entzünden oder explodieren.

VORSICHTSMASSNAHMEN:

- Verwenden Sie das Gerät ausschließlich in gut belüfteten Bereichen. Achten Sie auf ausreichende Frischluftzufuhr im gesamten Bereich, damit sich keine brennbaren Dämpfe in der Luft im Spritzbereich ansammeln können. Bewahren Sie die Pumpenbaugruppe in einem gut belüfteten Bereich auf. Besprühen Sie nicht die Pumpenbaugruppe.
- Nur Modelle mit Benzin - Befüllen Sie den Treibstofftank nicht, wenn der Motor läuft oder heiß ist; schalten Sie den Motor ab und lassen diesen abkühlen. Der Treibstoff ist brennbar und kann sich entzünden bzw. explodieren, wenn dieser mit einer heißen Oberfläche in Berührung kommt.
- Nur elektronische Modelle - Verwenden Sie keine Materialien mit einem Flammpunkt unter 38°C (100°F). Der Flammpunkt

ist die Temperatur, bei der eine Flüssigkeit ausreichend Dämpfe entwickeln kann, dass sich diese entzünden.

- Beseitigen Sie alle Zündquellen, wie z. B. Zündflammen, Zigaretten, tragbare elektrische Lampen und Plastikabdeckplanen (potenzieller elektrostatischer Lichtbogen).
- Halten Sie die Arbeitsbereiche frei von Verunreinigungen, einschließlich Lösungsmittel, Lappen und Benzin.
- Schließen Sie die Elektrozuleitungen nicht bzw. trennen diese nicht ab bzw. schalten Sie die Netzschalter bzw. Lichtschalter nicht ein bzw. aus, wenn sich brennbare Dämpfe entwickelt haben.
- Schutzleiter und leitfähige Gegenstände im Arbeitsbereich. Achten Sie darauf, dass Erdungsketten vorhanden sind und dass diese den Boden erreicht.
- Verwenden Sie ausschließlich geerdete Schläuche.
- Halten Sie die Spritzpistole fest an die Seite eines geerdeten Eimers, wenn Sie in den Eimer spritzen.
- Kommt es durch statische Aufladung zu Funkenbildung bzw. wenn Sie einen Stromschlag verspüren, brechen Sie den Vorgang umgehend ab.
- Sie müssen die Zusammensetzung der Farben und Lösungsmittel, die Sie spritzen möchten, kennen. Lesen Sie alle Material Sicherheitsdatenblätter (MSDS) und Behälterbeschriftungen von Farben und Lösungsmitteln durch. Befolgen Sie die Sicherheitsanweisungen des Farben- und Lösungsmittelherstellers.
- Verwenden Sie keine Farben bzw. Lösungsmittel, die Halogenkohlenwasserstoffe enthalten, wie z. B. Chlor, Bleiche, Antischimmelmittel, Methylenchlorid und Trichlorethan. Sie sind nicht kompatibel mit Aluminium. Setzen Sie sich mit dem Lieferanten der Beschichtung hinsichtlich der Kompatibilität des Materials mit Aluminium in Verbindung.
- Halten Sie im Arbeitsbereich einen Feuerlöscher bereit.



GEFAHR: Gefährliche Dämpfe

Farben, Lösungsmittel und andere Materialien können beim Einatmen oder beim Kontakt mit dem Körper gesundheitsschädlich sein. Die Dämpfe können schwere Übelkeit, Ohnmacht und Vergiftungen verursachen.

VORSICHTSMASSNAHMEN :

- Bei Spritzarbeiten Atemschutz tragen. Alle mit der Gesichtsmaske mitgelieferten Anleitungen durcharbeiten, damit die Gesichtsmaske auch den gewünschten Schutz bietet.
- Dem Benutzer ist eine Atemschutzmaske zur Verfügung zu stellen (Berufs-Genossenschaftliche Regeln „Regeln für den Einsatz von Atemschutzgeräten“ (BGR 190).
- Arbeitsschutzbrille tragen.
- Zum Schutz der Haut sind Schutzkleidung, Handschuhe und eventuell Hautschutzcreme erforderlich (BGR 197 "Benutzung von Hautschutz"). Vorschriften der Hersteller beachten zu den Beschichtungsstoffen, Lösemittel und Reinigungsmittel bei Aufbereitung, Verarbeitung und Gerätereinigung.



GEFAHR: Allgemeines

Kann schwere Personen- oder Sachschäden verursachen.

VORSICHTSMASSNAHMEN :

- Alle lokalen sowie im Land bzw. Bundesland geltenden Vorschriften zum Brandschutz, zur Bedienung und Lüftung einhalten.
- Bei Betätigung des Auslösers zieht die Spritzpistole zur Seite. Diese Kraftwirkung der Spritzpistole ist besonders stark, wenn die Düse entfernt und bei der Pumpe hoher Druck eingestellt

wurde. Bei der Reinigung mit abgeschraubter Düse daher den Druckreglerknopf auf den niedrigsten Druck einstellen.

- Nur vom Hersteller zugelassene Teile verwenden. Bei Verwendung von Teilen, die nicht die technischen Mindestanforderungen erfüllen, trägt der Benutzer alle Risiken und die gesamte Haftung. Dies gilt auch für die Sicherheitsvorrichtungen der Pumpe.
- IMMER die Hinweise des Herstellers zum sicheren Umgang mit Farben und Lösungsmitteln einhalten.
- Verschüttete Materialien und Lösemitteln sofort aufwischen, um Rutschgefahr zu vermeiden.
- Gehörschutz tragen. Dieses Gerät kann einen Schalldruck über 85 dB(A) erzeugen.
- Das Gerät niemals unbeaufsichtigt lassen. Kinder oder andere Personen, die mit dem Betrieb des druckluftlosen Spritzgeräts nicht vertraut sind, von dem Gerät fern halten.
- An windigen Tagen nicht im Freien spritzen.
- Das Gerät inklusive aller Flüssigkeiten (z.B. Hydrauliköl) müssen umweltgerecht entsorgt werden.

1.2 Elektrische Sicherheit

Elektrogeräte müssen geerdet werden. Bei einem elektrischen Kurzschluss reduziert die Erdung die Gefahr eines elektrischen Schlages, da der Fehlerstrom über den Schutzleiter abgeführt wird. Dieses Gerät ist mit einem Netzkabel versehen, das einen Schutzkontaktstecker besitzt. Anschluss an das Stromnetz nur über einen besonderen Speisepunkt z. B. über eine Fehlerstromschutzeinrichtung mit $INF \leq 30 \text{ mA}$.



GEFAHR — Arbeiten oder Reparaturen an der elektrischen Ausrüstung nur von einer Elektrofachkraft durchführen lassen. Für unsachgemäße Installation wird keine Haftung übernommen. Gerät ausschalten. Vor allen Reparaturen – Netzstecker aus der Steckdose ziehen.

Gerätereinigung: Kurzschlussgefahr durch eindringendes Wasser in die elektrische Ausrüstung. Gerät niemals mit Hochdruck- oder Dampf Hochdruckreiniger abspritzen.



Keine 12V-Steckdose verwenden, wenn keine voll geladene Batterie angeschlossen ist.

Arbeiten oder Reparaturen an der elektrischen Ausrüstung:

Diese nur von einer Elektrofachkraft durchführen lassen. Für unsachgemäße Installation wird keine Haftung übernommen.

Betriebstemperatur

Dieses Gerät funktioniert einwandfrei in seiner für ihn vorgesehen Raumtemperatur zwischen +10°C und +40°C.

Relative Feuchtigkeit

Das Gerät funktioniert in einem Umfeld mit einer relativen Feuchtigkeit von 50%, bei +40°C einwandfrei. Eine höhere relative Feuchtigkeit stellt bei niedrigeren Temperaturen kein Problem dar.

Der Käufer des Geräts muss Maßnahmen ergreifen, um die schädlichen Auswirkungen der gelegentlichen Kondensation zu vermeiden.

Höhe

Dieses Gerät funktioniert in einer Höhe von bis zu 2100m über n.n. einwandfrei.

Transport und Aufbewahrung

Dieses Gerät hält Transport- bzw. Aufbewahrungstemperaturen von -25°C bis + 55°C, kurzzeitig auch bis zu +70°C, stand bzw. ist dagegen geschützt.

Es wurde so verpackt, dass es Beschädigungen durch die Auswirkungen von normaler Feuchtigkeit, Erschütterungen und Stößen standhält.

1.3 Benzinmotoren-Betriebssicherheit

1. Benzinmotoren sind so gebaut, dass sie sicher und verlässlich funktionieren, wenn sie gemäss der Instruktionen bedient werden. Vor der Bedienung des Motors muss das Besitzerhandbuch des Herstellers gelesen und verstanden werden. Bei Unterlassung kann Personenverletzung oder Materialschaden entstehen.
2. Um Feuergefahr zu vermeiden und genügend Ventilation zu erlauben, muss der Motor mindestens 1 Meter von Gebäuden und anderen Maschinen entfernt sein wenn er in Betrieb ist. Keine brennbaren Gegenstände in der Nähe des Motors aufbewahren.
3. Personen, die das Gerät nicht bedienen, dürfen den Betriebsbereich nicht betreten, da die Möglichkeit besteht Verbrennungen von heissen Motorenteilen oder Verletzungen durch Geräte, die zur Bedienung des Motors benutzt werden, zu erleiden.
4. Seien Sie vertraut damit, wie Sie den Motor schnell abstellen können und wissen Sie Bescheid über alle Bedienungselemente und deren Handhabung. Erlauben Sie niemandem, den Motor ohne sachgerechte Anleitung zu bedienen.
5. Benzin ist äusserst flammbar und unter bestimmten Bedingungen explosiv.
6. Tanken Sie Benzin nur in einem gut durchlüfteten Bereich nach, nachdem der Motor abgestellt wurde. Rauchen Sie nicht und erlauben Sie keine Flammen oder Funken im Bereich in welchem aufgetankt wird oder Benzin aufbewahrt wird.
7. Ueberfüllen Sie den Benzintank nicht. Nach dem Auftanken, vergewissern Sie sich, dass die Tankverschlusskappe richtig und sicher aufgeschraubt ist.
8. Seien Sie darauf bedacht, beim Auftanken kein Benzin zu verschütten. Benzindämpfe oder verschüttetes Benzin könnte sich entflammen. Falls Benzin verschüttet wurde, vergewissern Sie sich, dass der Bereich trocken ist, bevor Sie den Motor starten.
9. Lassen Sie den Motor nie in einem geschlossenen oder engen Bereich laufen. Abgase enthalten giftige Kohlenmonoxidgase; diesen ausgesetzt läuft man Gefahr das Bewusstsein zu verlieren und es kann sogar zu Tod führen.
10. Der Auspuff wird während des Laufens des Motors sehr heiss und bleibt nach abstellen des Motors noch für eine Weile heiss. Seien Sie darauf bedacht, den Auspuff nicht zu berühren, solange er noch heiss ist. Um schwere Verbrennungen oder Feuergefahr zu vermeiden, lassen Sie den Motor abkühlen, bevor Sie ihn transportieren oder in einem Innenraum aufbewahren.
11. Verschiffen oder transportieren Sie die Sprühanlage niemals mit Benzin im Tank.



Benutzen Sie diese Anlage NICHT um Wasser oder Säuren zu spritzen.



Achtung

Beim Auf- oder Abladen, nicht an der Deichsel halten.

Gerät ist sehr schwer. Muss von drei Personen getragen werden.

1.4 Betanken (Benzinmotor)



Benzin ist äusserst entflammbar und unter bestimmten Bedingungen sogar explosiv.

Technische Angaben zum Treibstoff

- Verwenden Sie Benzin mit einer Mindest-Oktananzahl von 86 oder mit einer Mindest-Research-Oktananzahl von 91. Die Verwendung eines Treibstoffes mit einer geringeren Oktananzahl kann zu ständigem "Motorklopfen" oder starkem "Klopfen" (ein metallisches klopfendes Geräusch) führen, das zu einem Motorschaden führen kann, wenn dieser zu stark ist.



Wechseln Sie die Treibstoffmarke, wenn das "Klopfen" oder "Motorklopfen" bei einer stetigen Motorgeschwindigkeit unter normaler Belastung auftritt. Bleibt das Klopfen bzw. Motorklopfen, setzen Sie sich mit einem autorisierten Händler des Motorherstellers in Verbindung. Bei Nichteinhaltung gilt dies als Fehlgebrauch und Schäden durch Fehlgebrauch sind nicht durch die Herstellergarantie gedeckt.

Gelegentlich entsteht ein leichtes Klopfen, wenn das Gerät stark belastet wird. Das ist kein Grund zur Beunruhigung. Dies bedeutet nur, dass der Motor effizient funktioniert.

- Bleifreier Treibstoff verursacht weniger Ablagerungen im Motor und in den Zündkerzen und verlängert die Lebensdauer der Komponenten des Abgassystems.
- Verwenden Sie niemals abgestandenes oder verschmutztes Benzin und/oder ein Öl-/Benzingemisch. Vermeiden Sie, dass Schmutz, Staub oder Wasser in den Treibstofftank gelangen.

Kraftstoff aus Benzin-Alkohol-Gemisch

Wenn Sie sich für einen Kraftstoff aus einem Benzin-Alkohol-Gemisch (Gasohol) entscheiden, müssen Sie darauf achten, dass dessen Oktananzahl mindest so hoch ist, wie diese vom Motorenhersteller empfohlen wird. Es gibt zwei Arten von Benzin-Alkohol-Gemisch: die eine enthält Ethanol und die andere Methanol. Verwenden Sie kein Gasohol, das mehr als 10 % Ethanol enthält. Verwenden Sie kein Benzin-Methanol-Gemisch (Methyl oder Holzalkohol), das keine Zusatzlösungsmittel und Korrosionshemmstoffe für Methanol enthält. Verwenden Sie niemals Benzin, das mehr als 5 % Methanol enthält, auch dann nicht, wenn es Zusatzlösungsmittel und Korrosionshemmstoffe enthält.



Eine Beschädigung des Treibstoffsystems bzw. Probleme mit der Motorenleistung, die aus der Verwendung von Treibstoff resultieren, der Alkohol enthält, werden von der Gewährleistung nicht gedeckt. Der Motorenhersteller kann nicht die Verwendung von Treibstoffen befürworten, die Methanol enthalten, das es noch nicht als erwiesen gilt, dass sich diese hierfür eignen.

Versuchen Sie herauszufinden, ob das Benzin Alkohol enthält, bevor Sie Benzin von einer Ihnen unbekanntem Tankstelle beschaffen. Falls dieses Alkohol enthält, überprüfen Sie die Art und den Anteil des verwendeten Alkohols. Stellen Sie bei der Verwendung von alkoholhaltigem Benzin bzw. von dem Sie annehmen, dass es Alkohol enthält, unerwünschtes Betriebsverhalten fest, stellen Sie auf ein Benzin um, von dem Sie wissen, dass es kein Alkohol enthält.

2. Reparaturen am gerät



BFühren Sie auf jeden Fall das Druckentlastungsverfahren durch, siehe Abschnitt 4.6 der Bedienungsanleitung, bevor Sie Reparaturarbeiten durchführen. Dazu befolgen Sie alle anderen Warnungen, um das Risiko einer Injektionsverletzung, Verletzungen verursacht durch bewegende Teile oder Elektroschock zu vermeiden. Vor der Wartung, das Spritzgerät abstellen!

2.1 Auswechseln der Motorbürsten (optional 120 V elektrischer Motor, nur bei PL4955)

Der 120 V elektrische Convertokit ist separat erhältlich.



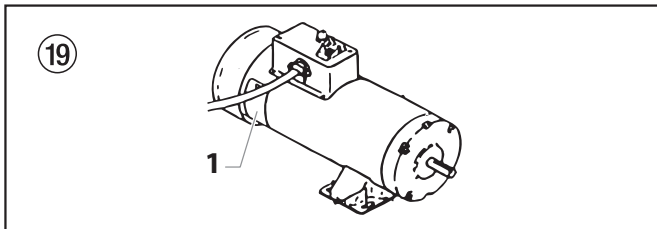
Wird eine 120V-Convertokit installiert, schnallen Sie die Vorderseite des PowrLiners fest, damit dieser nicht nach hinten kippen kann.

Führen Sie diesen Vorgang unter Verwendung des Motorbürsten-Kits P/N 978-050 durch. Der Kit besteht aus zwei Bürsten, zwei Federn und zwei Bügeln.

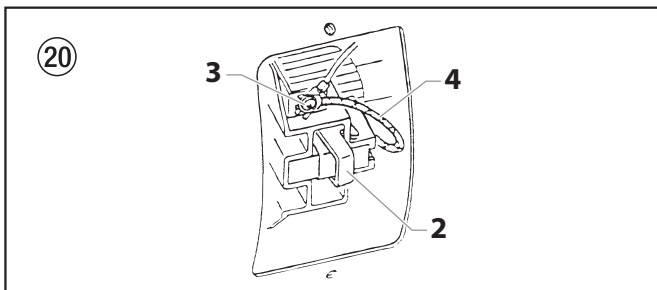


Die Bürsten sollten ausgetauscht werden, wenn diese verschlissen und weniger als 1,27 cm breit sind. Überprüfen und tauschen Sie beide Bürsten gleichzeitig aus.

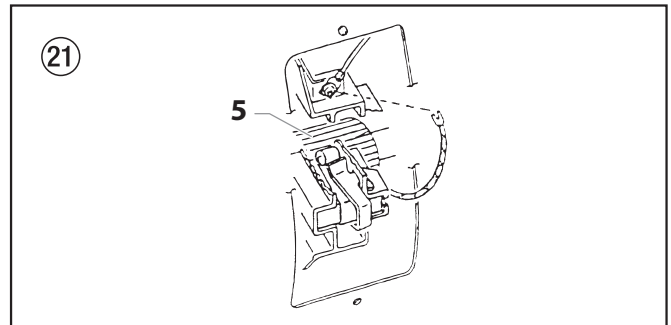
1. Entfernen Sie beide Inspektionsabdeckungen (1) auf dem Motor.



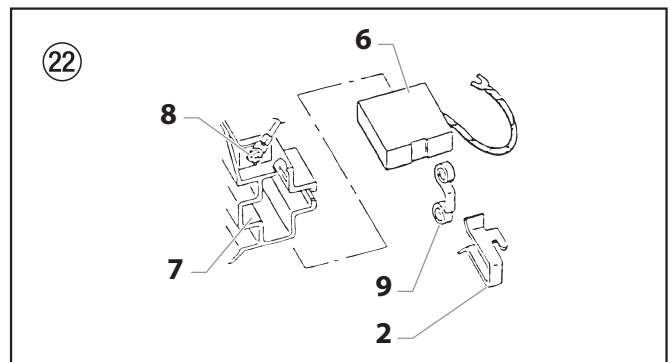
2. Drücken Sie die Klemmfeder (2) rein, um diese loszuhaken und ziehen Sie diese dann heraus.
3. Lösen Sie die Anschlusschraube (3). Ziehen Sie die Bürstenführung (4) weg, lassen Sie jedoch die Motorleitung an seinem Platz. Entfernen Sie die Bürste und Feder.



4. Überprüfen Sie den Stromwender (5) auf Verbrennungen, extremen Lochfraß oder Rillen. Eine schwarze Färbung im Stromwender ist normal.



5. Montieren Sie die neue Bürste (6), sodass deren Führungsschienen sich in der langen Rille des Bürstenhalters befinden (7). Drücken Sie die Anschlusschraube unter die Unterlegscheibe der Anschlusschraube (8). Achten Sie darauf, dass die Motorführung immer noch mit der Schraube verbunden ist. Ziehen Sie die Schraube fest.
6. Positionieren Sie die Feder (9) wie oben dargestellt auf die Bürste (6). Schieben Sie die Klemmfeder (2) rein und haken diese fest. Wiederholen Sie diesen Vorgang auch auf der anderen Seite.



7. Setzen Sie die beiden Abdeckungen wieder ein.



Schalten Sie den Motor UMGEHEND aus, wenn der elektrische Motor überlastet wird und dieser stoppt, und führen das Druckentlastungsverfahren in Abschnitt über Reinigung in diesem Handbuch durch. Warten Sie, bis der Motor abkühlt (etwa 30 Minuten). Schieben Sie anschließend die Kunststoffhülle rein, betätigen den manuellen Reset-Knopf, starten den Motor und erzeugen Druck im System.

2.2 Abstimmen der Laufspur des Frontalsprüher

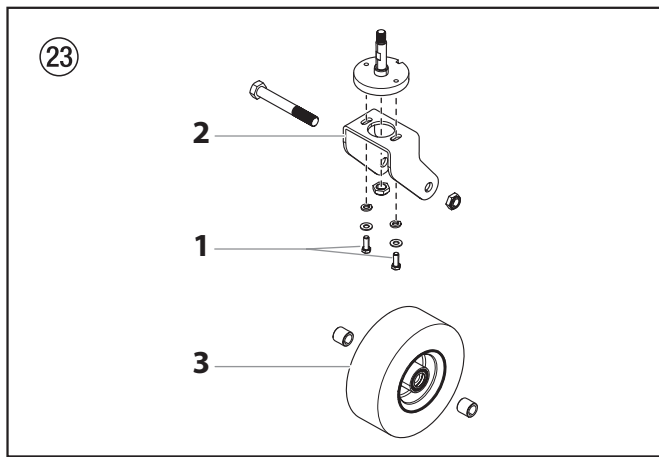
Der Frontalsprüher ist von der Fabrik eingestellt, dass er eine gerade Linie verfolgt. Befolgen Sie den folgenden Ablauf um falls nötig, die Laufspur abzustimmen.

1. Die zwei Sechskantschrauben (1) im oberen Teil des Sprüherhaltebügels (2) lösen.
2. Den Sprüherhaltebügel (2) leicht in die gewünschte Richtung drehen.



Der Frontalsprüher-Haltestift muss während der Abstimmung der Laufspur eingerastet sein.

3. Die zwei Sechskantschrauben (1) festschrauben.
4. Die Laufspur des Frontalsprüher (3) überprüfen. Wenn der Sprüher keine gerade Spur hält, den obenerwähnten Ablauf wiederholen.



2.3 Auswechseln des Riemens (Abb. 24)



Achten Sie darauf, dass Sie das "Druckentlastungsverfahren", wie in dem Abschnitt "Betrieb" in diesem Handbuch dargelegt ist, durchgeführt haben, bevor Sie den Riemen in Ihrer Maschine wechseln. VERSUCHEN SIE NICHT diese Instandsetzung durchzuführen, während die Maschine läuft.



Die unteren Abbildungen zeigen eine Maschine mit einem Benzinmotor. Alle Anweisungen in diesem Abschnitt gelten sowohl für Benzin- als auch elektrische Motoren, wenn nicht anders darauf hingewiesen wird.

1. Lösen Sie den Knopf (1) auf der Vorderseite des Riemenschutzes. Öffnen Sie die Vorderseite des Riemenschutzes (2), sodass das vordere Ende des Riemens (3) freiliegt.
2. Heben Sie sanft das vordere Ende des Benzinmotors/elektrischen Motors an. Dadurch wird die Spannung auf dem Riemen gelöst und dieser kann leichter entfernt werden.



GEFAHR DES EINQUETSCHENS. Achten Sie darauf, dass Ihre Finger nicht in die Befestigungsplatte des Benzinmotors/elektrischen Motors eingeklemmt werden.

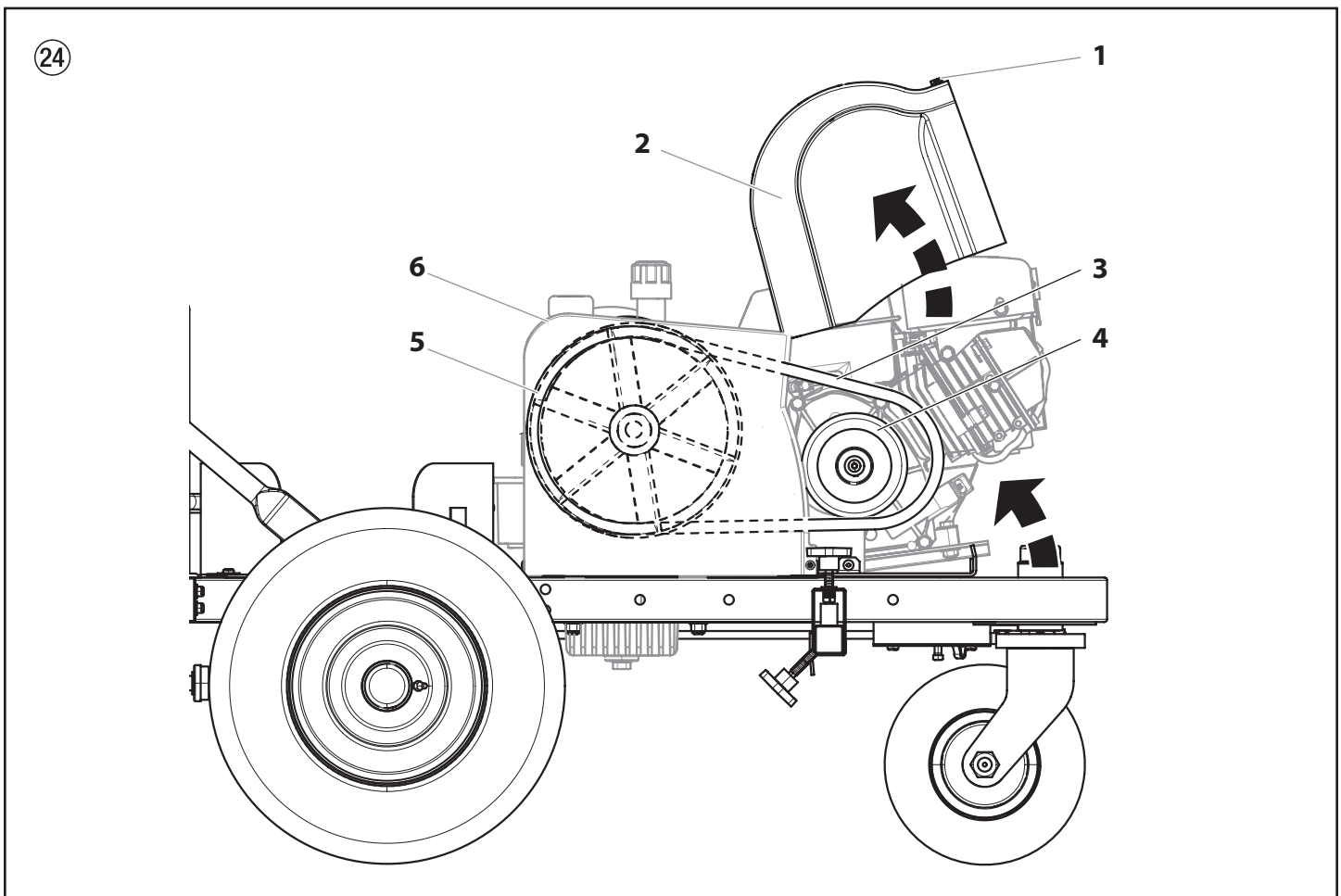
VERBRENNUNGSGEFAHR. Lassen Sie den Benzinmotor ausreichend abkühlen, bevor Sie es berühren.



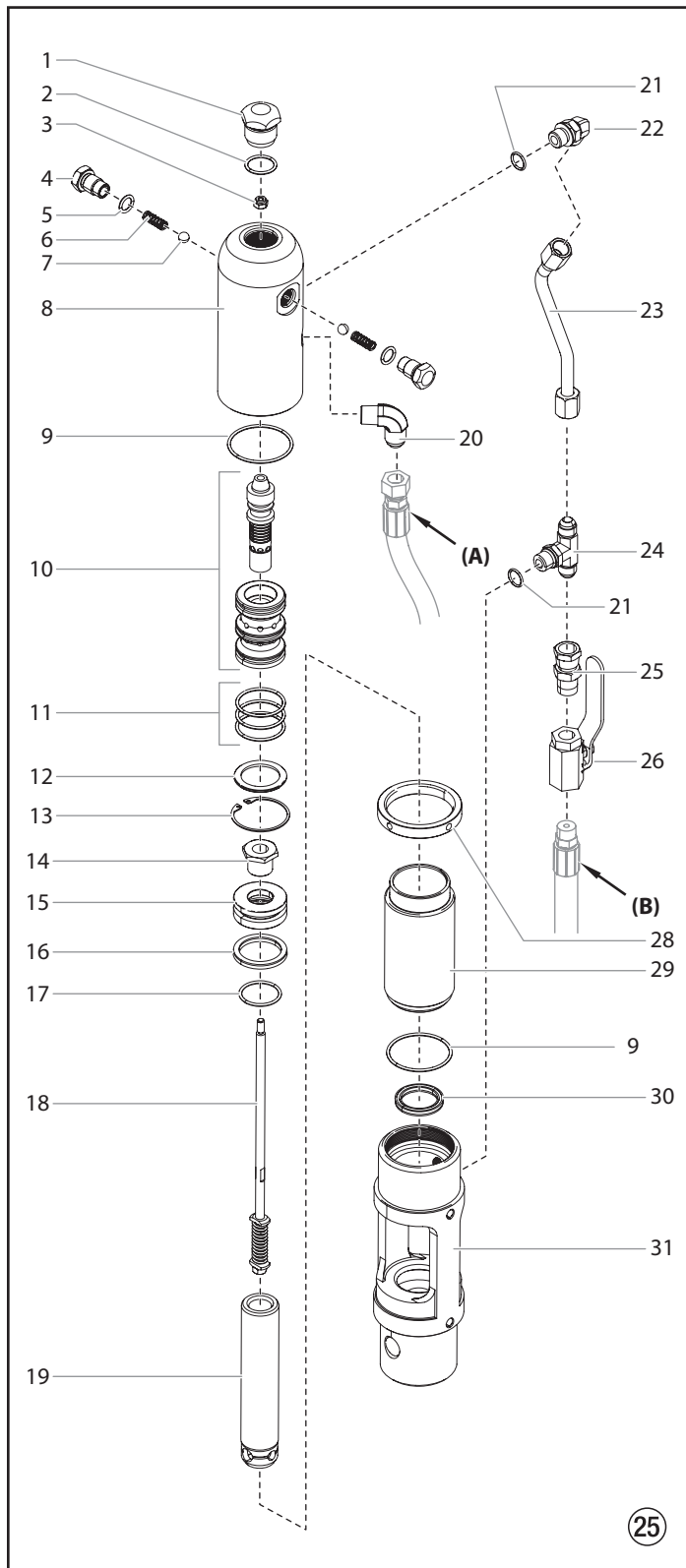
Achtung

Achten Sie darauf, dass der Riemen nicht eingeklemmt oder verdreht ist, wenn Sie den Benzinmotor/elektrischen Motor an seinen Platz zurücksetzen.

3. Entfernen Sie den Riemen von der vorderen und hinteren Riemenscheibe während der Benzinmotor/elektrische Motor angehoben ist.
4. Montieren Sie den neuen Riemen:
 - a. Setzen Sie den Riemen in den festen Bereich des Riemenschutzes (6) ein. Führen Sie den Riemen um die hintere Riemenscheibe (5) bis der Riemen in der Riemenscheibennut an der richtigen Position sitzt.
 - b. Heben Sie vorsichtig das vordere Ende des Benzinmotors/elektrischen Motors an.
 - c. Führen Sie das andere Ende des Riemens um die vordere Riemenscheibe (4), während der Motor angehoben ist.
 - d. Lassen Sie den Benzinmotor/elektrischen Motor vorsichtig nach unten. Das Gewicht des Benzinmotors/elektrischen Motors erzeugt Spannung im Riemen und verhindert, dass sich dieser löst.
- e. Schließen Sie den Riemenschutz (2) und ziehen den Riemenschutzknopf (1) wieder fest.



2.4 Wartung des Hydraulikmotors (Abb. 25)



Bitte siehe Vorgehensweise zur "Montageanleitung zum SAE O-Ring" am Ende dieses Abschnitts für Pos. 22 und 24.

Dieser Ablauf ist mit den nötigen Teilen des Motorservicesatz – klein (P/N 235-050) durchzuführen. Wenn der Hydraulikmotor betriebsfähig ist, die Maschine starten und die Kolbenstange (19) in die oberste Position vorrücken.



Die Wartung des Hydraulikmotors sollte nur in einem sauberen, staubfreien Bereich durchgeführt werden. Jegliche Staub- oder Metallteile, die im Motor gelassen werden oder beim Wiedereinbau in den Motor greifen können kritische Teile beschädigen und die Lebensdauer und Garantie beeinträchtigen. Alle Teile sollten auf absolute Sauberkeit überprüfen.

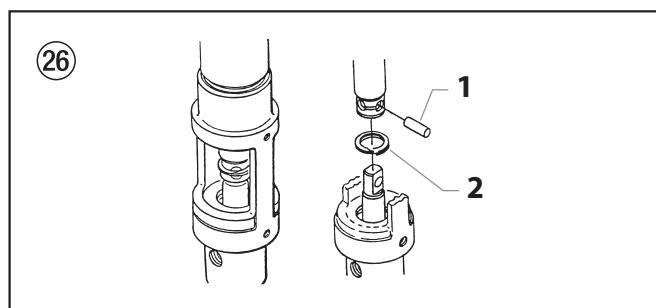
Den Hydraulikmotor demontieren

1. Den Druckschlauch (B) auf der Hinterseite der Hydraulikpumpe vom Winkelstück entfernen.
2. Die zwei Montageschrauben und Federscheiben entfernen, welche die Motoren-/Pumpenbaugruppe an die Pumpenabstützung im Wagen befestigen.
3. Die Motoren-/Pumpenbaugruppe in einen Schraubstock einspannen, indem die Baugruppe sicher beim Motoren-/Pumpenblock gehalten wird (31).
4. Zylinderkopfstöpsel entfernen (1).
5. Seegerring (28) mit einem Ringschlüssel lösen und das Rohr herausrauben indem die Mutter auf dem T-Stück (24) gehalten wird. Das Rohr lösen, indem die Mutter auf dem Winkelstück (22) gehalten wird. Die Mutter heruntergleiten lassen. Motorenrohr entfernen (23). Langsam den Zylinderkopf (8) abschrauben und nur soweit über den Zylinder (29) heben, bis die Ventilstangenbaugruppe (18) mit einer Gripzange erreicht werden kann.
6. Die Kolbenstange (19) sollte bei der Demontage nahe der oberen Position ruhen. Es wird möglicherweise nötig sein, die Kolbenstange mit einem Holz- oder Nylonhammer in die obere Position zu befördern.
7. Die Ventilstange sicher mit der Gripzange ergreifen und die FlexLoc Mutter (3) vom oberen Teil der Ventilstangenbaugruppe (18) entfernen. Vorsicht, dass die Spule (10) nicht fällt. Der Zylinderkopf (8) kann jetzt herausgehoben werden. Den Zylinder (29) vom Motoren-/Pumpenblock (31) abschrauben.



Ein zusätzlicher Seegerring (28) kann benutzt werden um die zwei Seegerringe zusammen am Zylinder zu blockieren und ein Rohrschlüssel kann benutzt werden, um den Zylinder (29) vom Motoren-/Pumpenblock (31) abzuschrauben.

8. Um den Verbindungsstift (Abb. 26, Pos. 1) zu entfernen, den Haltering (2) mit einem kleinen Schraubenzieher herunter ziehen und den Verbindungsstift herausdrücken.



9. Die Kolbenstangenbaugruppe vom Motoren-/Pumpenblock (31) entfernen.
10. Die Kolbendichtung (30) entfernen; grosse Vorsicht ist nötig, damit die Dichtungskerbe im Motoren-/Pumpenblock (31) nicht angekratzt wird.
11. Die Kolbenhalteschraube (14) an der Kolbenstangenbaugruppe in einem Schraubstock anbringen. Eine lange Stange als Hebel durch das Loch an der Unterseite der Kolbenstange schieben und die Kolbenstange von der Kolbenhalteschraube abschrauben.
12. Kolben (19) entfernen und die Ventilstangenbaugruppe (18) herausheben.
13. Die Kolbendichtung (16) und den O-Ring (17) entfernen.

14. Auslösehalter (4), Auslösefedern (6) und Bälle (7) vom Zylinderkopf (8) entfernen. O-Ringe (5) vom Auslösehalter (4) entfernen.
15. Haltering (13) und Abziehhülsehalter (12) entfernen. Sachte den Spulen-/Abziehhülsehalter (10) mit einem Holz- oder Nylonstab aus dem Zylinderkopf (8) klopfen.
16. Kolbenstange (19) und Zylinder (29) auf Abnutzung, Kratzer und Dellen untersuchen. Falls beschädigt, ersetzen.
17. Spulventil (10) auf Abnutzung untersuchen. Wenn nötig ersetzen. In der vertikalen Position gehalten, sollte das Spulventil sich frei und reibungslos ohne Kraftaufwendung bewegen. Ist dies nicht der Fall, kann es dazu führen, dass der Motor abwürgt.

Wiedereinbau des Hydraulikmotors

1. Den Spulen-/Abziehhülsehalter (10) abtrennen. O-Ringe (11) auf die Abziehhülse setzen. O-Ringe mit Hydrauliköl schmieren. Die Abziehhülse mit der flacheren Seite gegen Aussen sachte in den Zylinderkopf (8) hineindrücken. Mit einem Nylonstab die Abziehhülse herunterklopfen, bis die volle Tiefe erreicht wird. Kein anderes Werkzeug, welches die Abziehhülse beschädigen könnte, oder Partikel oder Ablagerungen an der Abziehhülse hinterlässt. Die Spule durch den Oberteil des Zylinderkopfes, hinunter in die Abziehhülse installieren.



Kein Kolbensmierpumpen-Dichtungssmierstoff verwenden. Dies ist ein Lösungsmittel und wird die Dichtungen und O-Ringe des Hydraulikmotors schwer beschädigen.

2. O-Ringe (5) an den Auslösehalter (4) einsetzen. Auslösehalterbälle (7) gefolgt von den Federn (6) einsetzen. Die Federn, wenn eingesetzt, werden den Spulen-/Abziehhülsehalter (10) in der richtigen Position zum Einbau halten.
3. Abziehhülsehalter (12) gefolgt vom Sprengring (13) in den Zylinderkopf (8) einsetzen. Dies wird die Ventilabziehhülse an der richtigen Stelle halten. Den O-Ring (9) in die O-Ring-Furche des Zylinderkopfes einsetzen.
4. Untere Dichtung (30) im Motoren-/Pumpenblock (31) ersetzen. Vergewissern Sie sich, dass die offene Seite der Dichtung gegen oben gerichtet ist (V). Für diese Dichtung wird kein spezielles Werkzeug benötigt.
5. Kolbenstange (19) in den Schraubstock einspannen. Ventilstangenbaugruppe (18) auf jegliche Beschädigung hin untersuchen. Vergewissern Sie sich, dass die Stellmutter auf der Unterseite der Ventilstangenbaugruppe (18) gesichert ist. NICHT entfernen. Danach die Kolbenstange (19) wie illustriert einsetzen. O-Ring (17) einsetzen, gut schmieren und Kolben (15) wieder auf die Kolbenstange (19) einsetzen. Einen Tropfen Loctite blau auf die Kolbenhalterschraube (14) geben. Kolbenhalterschraube soweit anziehen, bis der Kolben an der richtigen Stelle arretiert ist. Zu diesem Zeitpunkt ist die Ventilstangenbaugruppe (18) auf normale Federung zu überprüfen.
6. Kolbendichtung (16) mit Lippe gegen unten zeigend einsetzen. Vorsichtig den O-Ring (17) einsetzen. Den Ring zur Installation genügend ausdehnen.
7. Mit dem Motoren-/Pumpenblock (31) immer noch im Schraubstock, die untere Dichtung (30) einsetzen, indem sie mit einem stumpfen Stab von geeigneter Länge in die Richtung von ihrer Furche gestossen wird. Dann die den Vorgang mit den Fingern abschliessen. Es wird kein Werkzeug benötigt, Die Dichtung nicht verdrehen.
8. Den Kolben und die Ventilstangenbaugruppe vorab mit Coolflo Hydraulikflüssigkeit (P/N 430-361) schmieren. Kolbenstange (19) in den Motoren-/Pumpenblock (31) mit einer leicht drückenden und rotierenden Bewegung einsetzen, damit die Kolbenstange durch die Dichtung (30) geführt werden kann.



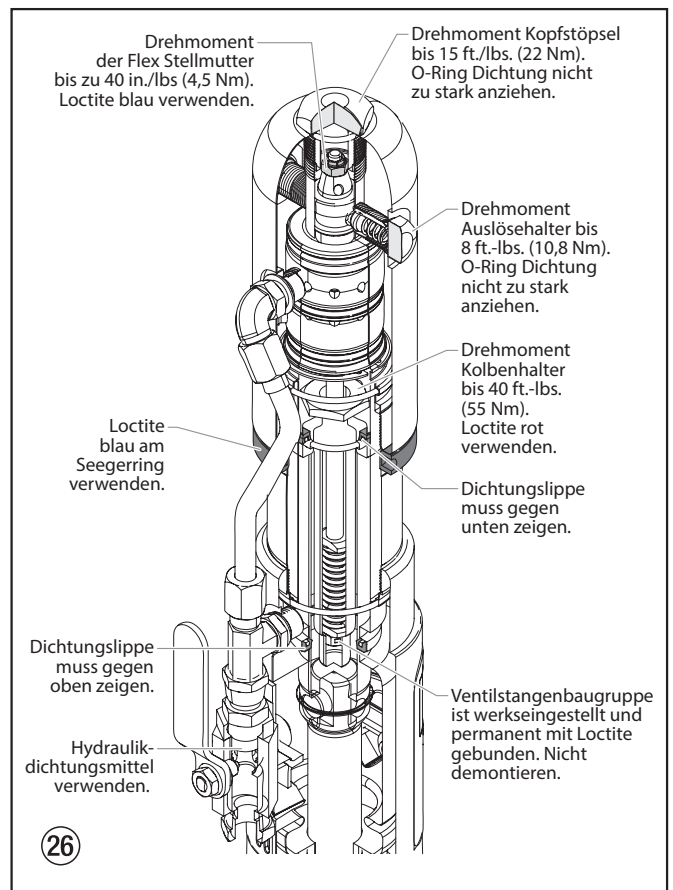
Die Unterseite der Kolbenstange (19) auf Kerben oder spitze Stellen, die die Kolbendichtung beim Einbau durch den Motoren-/Pumpenblock (31) beschädigen könnten, untersuchen.

9. Den Verbindungsstangenstift und Haltering ersetzen.
10. Den O-Ring (9) an die Zylinderwand einsetzen. Ring und innere Wand schmieren. Die Kolbenstange gut festhalten und den Zylinder mit einem Gummihammer sachte über die

Kolbendichtung treiben. Den Zylinder fest in den Motoren-/Pumpenblock (31) einschrauben.

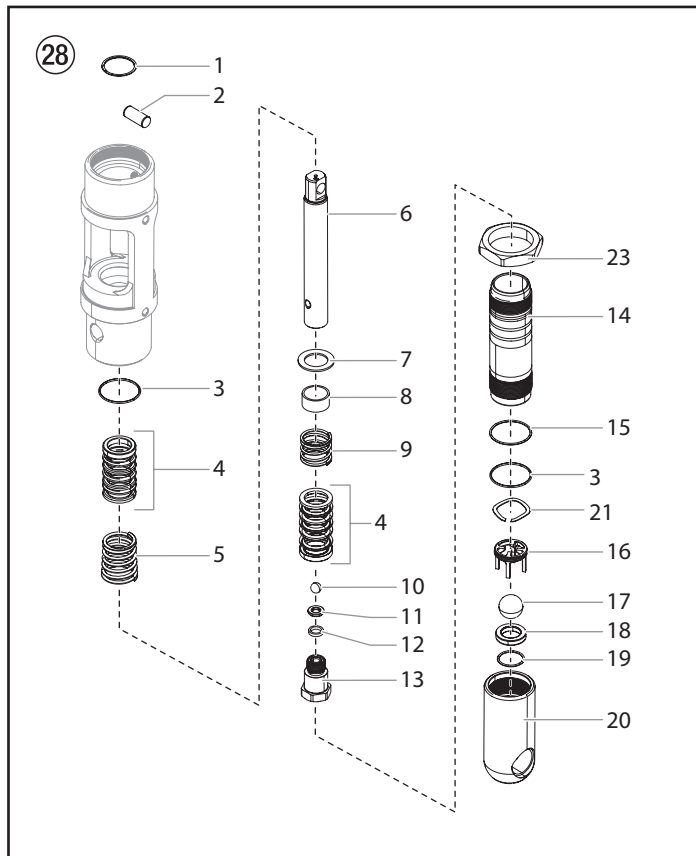
11. Die Kolbenstange (19) in die obere Position führen und den Seegerring (28) gänzlich auf das obere Gewinde des Zylinders (29) aufschrauben.
12. Die Ventilstangenbaugruppe (18) soweit wie möglich nach oben ziehen und mit einer Gripzange ergreifen. Danach den bereits zusammengebauten Zylinderkopf (8) über die Ventilstange einbauen, bis die oberen Gewinde der Ventilstange durch das obere Ende Des Spulen-/Abziehhülsehalters (10) durchtreten. Die Ventilstangengewinde müssen sauber und ölfrei sein. Einen Tropfen Loctite blau an das Gewinde der Stellmutter (3) auftragen und Mutter auf die Ventilstange festschrauben (nicht zu stark anziehen), indem die Ventilstange unten mit der Gripzange festgehalten wird.
13. Zylinderkopf (8) auf den Zylinder (29) herunterschrauben und danach wieder soweit aufschrauben, damit genügend Raum entsteht um Hydraulik-anchlussstutzen und Motorenrohr (23) wieder einzubauen. Seegerring mit einem Ringschlüssel anziehen um den Zylinderkopf in der richtigen Position zu halten.
14. O-Ring (2) auf den Zylinderkopfstöpsel (1) einsetzen. Festziehen.

Hydraulikmotor Schnittbild

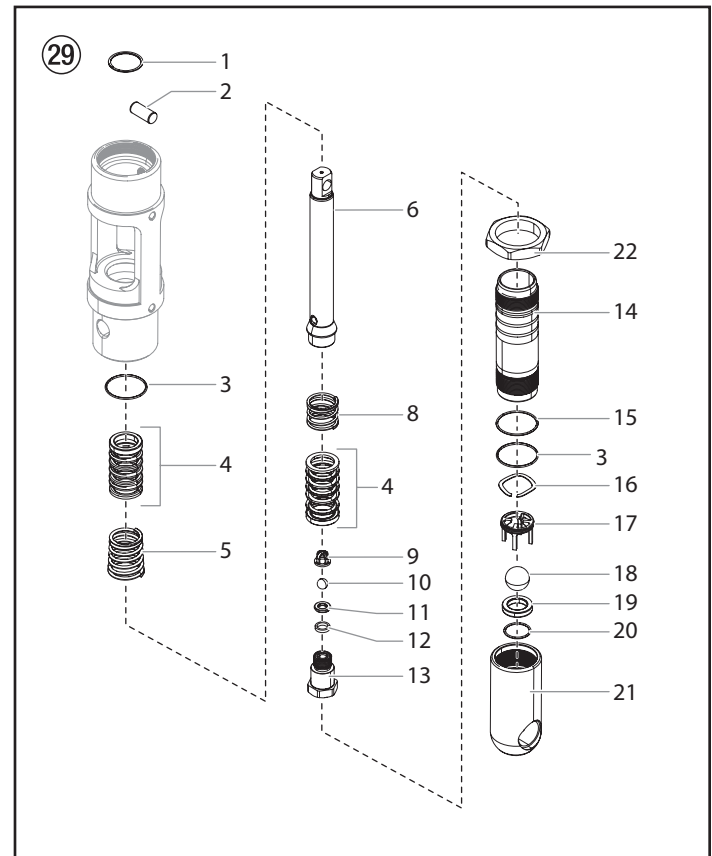


2.5 Unterhalt des Flüssigkeitsbereiches

PL4955



PL6955 / PL8955



Achtung

Die Benutzung von anderen Ersatzteilen als Titan kann die Garantie annullieren. Für die beste Wartung, benutzen Sie Originalteile von Titan. Diese Pumpe sollte nach ungefähr 1.000 Stunden Laufzeit mit einer Routinewartung gewartet werden. Bei übermäßigem Leck oder wenn die Pumpbewegungen in die eine oder andere Richtung schneller werden, ist eine frühere Wartung nötig. Zur Schmierung der oberen Dichtungen ist die Verwendung von Titan Piston Lube (p/n 314-480) empfohlen. Benutzen Sie kein Öl, Wasser oder Lösungsmittel als Schmiermittel für die oberen Dichtungen.



Die Zahlen in Klammern beziehen sich auf die nummerierten Teile in den Illustrationen des Flüssigkeitsbereiches. Wenn zwei Zahlen angegeben sind, bezieht sich die erste Zahl auf die Teilenummer für den PL4955 und die zweite Zahl bezieht sich auf die Teilenummer für den PL6955 / PL8955.

Demontage des Flüssigkeitsbereichs

- 1a. Die Syphonschlauchbaugruppe entfernen. Das Fussventilgehäuse (20,21) und den Pumpenzylinder (14) mit einem Riemenschlüssel aufschrauben.



Wenn der Pumpenzylinder (14) nicht mit einem Bandschlüssel gelöst werden kann, so verwenden Sie die Kontermutter (23, 22), um ihn aus dem Pumpengehäuse auszubauen.

- 1b. Lösen Sie die Kontermutter (23, 22) am Zylinder, bis sie aus den Zylindergewinden herausragt. Bringen Sie einen Schraubenschlüssel auf den Flächen der Kontermutter an und drehen Sie den Schraubenschlüssel gegen den Uhrzeigersinn, um den Zylinder zu lösen.
2. Den Haltering (1) mit einem kleinen Schraubenzieher heraufschieben und dann den Verbindungsstift (2) herausdrücken.
3. Den Verdrängungsstab (6) durch den unteren Hohlraum des Motoren-/Pumpenblock ziehen.
4. Den PTFE O-Ring (3), die obere Dichtungsfeder (5) und den oberen Dichtungssatz (4) vom Motoren-/Pumpenblock entfernen.
5. Den Verdrängungsstab (6) in einem Schraubstock an den flachen Seiten am oberen Ende des Verdrängungsstabes halten und das Ablassventilgehäuse (13) mit einem Schlüssel entfernen, während der Verdrängungsstab horizontal, wenn nötig mit einer hölzernen Unterlage gehalten wird. Den Dichtungsring (12), Ablassventilsitz (11), Ablassventilball (10), Ablassventilkorb (9, PL6955/PL8955), unterer Dichtungssatz (4), untere Dichtungsfeder (9,8), Abziehhülse (8, nur bei PL4955) und Federhalter (7, nur bei PL4955) entfernen.
6. Benutzen Sie eine 1/2" Verlängerungsstange welche an ein 1/2" Antriebszahngesperre angebaut ist, und fügen Sie das Ende der Verlängerungsstange in die quadratische Öffnung des Fussventilkorb (16, 17), innerhalb dem Fussventilgehäuse (20,21). Den Fussventilkorb zusammen mit der Wellendichtscheibe (21, 16) abschrauben und vom Fussventilgehäuse entfernen.
7. Den PTFE O-Ring (3), Fussventilball (17, 18), Fussventilsitz (18, 19) und Sitz-O-Ring (19,20) vom Fussventilgehäuse (20,21) entfernen.
8. Den O-Ring (15) vom Pumpenzylinder (14) entfernen.

Wiedereinbau des Flüssigkeitsbereichs



An allen Rohrverbindungsgewinden PTFE-band benutzen.

1. Einen neuen Sitz O-Ring (19, 20) in die Kerbe am unteren Teil des Fussventilgehäuses (20,21) anbringen.
2. Den Fussventilsitz (18,19) auf Abnutzung untersuchen. Wenn eine Seite abgenutzt ist, den Sitz auf die unbenutzte Seite umdrehen. Wenn beide Seiten abgenutzt sind, einen neuen Sitz einbauen. Den neuen oder umgedrehten Sitz (abgenutzte Seite nach unten) in die Bohrung am Unteren Teil des Fussventilgehäuses (20,21) einfügen.
3. Einen neuen Fussventilball (17,18) auf den Fussventilsitz setzen (18,19). Benutzen Sie eine 1/2" Verlängerungsstange welche an ein 1/2" Antriebszahngesperre angebaut ist, und fügen Sie das Ende der Verlängerungsstange in die quadratische Oeffnung des Fussventilkorb (16, 17) und schrauben den Fussventilkorb in das Fussventilgehäuse (20, 21). Drehmoment für den Korb bis 240 in./lbs (20 ft./lbs.).
4. Die Wellendichtscheibe (21, 16) auf den Fussventilkorb (16,17) aufsetzen.
5. Einen neuen PTFE O-Ring (3) in die Furche am unteren Ende des Fussventilgehäuses (20,21) einsetzen. Den O-Ring mit Oel oder Fett schmieren.
6. Nachdem die Lederdichtungen in Oel (vorzugsweise Leinöl) eingeweicht wurden, den unteren Dichtungssatz (4) wieder zusammenbauen. Den Satz auf das Ablassventilgehäuse (13) setzen, mit dem Spitz der "V" Dichtungen nach unten in Richtung des Sechskants am Ablassventilgehäuse zeigend.



Alle Ledermanschetten müssen vor der Montage für 15-20 Minuten in Öl (CoolFlo) eingeweicht werden. Werden die Manschetten zu lange eingeweicht, schwellen diese auf und verursachen Probleme beim Wiederausammenbau.

7. Den Ablassventilsitz (11) auf Abnutzung untersuchen. Wenn eine Seite abgenutzt ist, den Sitz auf die unbenutzte Seite umdrehen. Wenn beide Seiten abgenutzt sind, einen neuen Sitz benutzen. Den Ablassventilkorb (9, PL6955/ PL8955), Ablassventilball (10), neuen oder umgedrehten Sitz (abgenutzte Seite vom Ball entfernt) und eine neue Dichtscheibe (12) in die Verdrängungsstange (6) einsetzen.
8. Die Gewinde am Ablassventilgehäuse (13) reinigen und die Gewinde mit Loctite blau Nr. 242 beschichten. Vergewissern Sie sich, dass Loctite nur auf dem Gewinde aufgetragen wird.
9. Die untere Dichtungsfeder (9,8) auf das Ablassventilgehäuse (13) setzen, gefolgt von der Abziehhülse (8, nur bei PL4955) und Federhalter (7, nur bei PL4955).
10. Den Verdrängungsstang (6) und das Ablassventilgehäuse (13) zusammenschrauben. In einem Schraubstock bis zu 50 ft./lbs. (68 Nm) anziehen.
11. Den PTFE O-Ring (3) in die obere Furche des Motoren-/Pumpenblocks einsetzen.
12. Den oberen Dichtungssatz (4) in den Motoren-/Pumpenblock einsetzen, mit der Spitze der "V" Dichtungen nach oben, in Richtung Motor zeigend.



Die Dichtungen müssen vor der Montage in Oel (CoolFlo) eingeweicht worden sein.

13. Die obere Dichtungsfeder (5) mit dem kleinen zulaufenden Ende gegen oben in Richtung Motor/Pumpe zeigend in den Motoren-/Pumpenblock einsetzen.
14. Den Verdrängungsstab (6) durch die oberen Dichtungen hinauf in den Motoren-/Pumpenblock einsetzen.
15. Die Löcher im Verdrängungsstab (6) und dem Hydraulikkolbenstab aufeinander abstimmen und den Verbindungsstift (2) einsetzen. Den Haltering (1) über dem Verbindungsstift ersetzen.

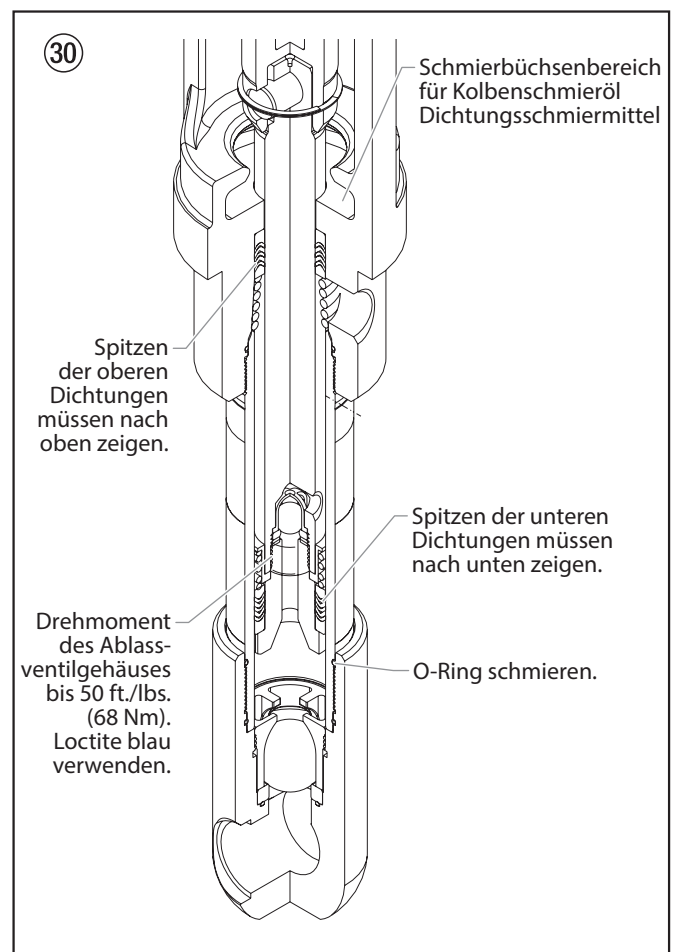
16. Die kurzen Gewinde des Pumpenzylinders (14) in den Motoren-/Pumpenblock einschrauben und mit einem Riemenschlüssel festschrauben.
17. Den O-Ring (15) in die oberste Furche des Pumpenzylinders (14) einsetzen.
18. Das Fussventilgehäuse (20,21) auf den Pumpenzylinder (14) aufschrauben, mit einem Riemenschlüssel festziehen und dann wieder so weit lösen um den Syphonschlauch auszurichten.



Es ist nicht nötig, das Fussventilgehäuse zu stark anzuziehen. Die O-Ring Dichtungen dichten ohne übermässiges Anziehen. Anziehen bis an das Ende des Gewindes ist genügend. Das Fussventilgehäuse kann zur bequemen Schlauchpositionierung bis zu einer 1/2 Drehung nach Ende des Gewindes nach hinten rotiert werden.

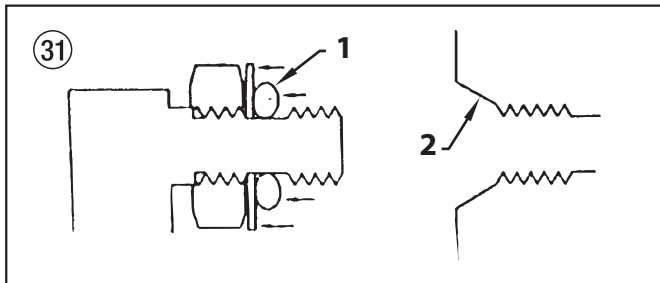
Für die Syphonschlauchaufsätze ist es kritisch wichtig, dass die Gewinde des Syphonschlauches raumfest in das Fussventilgehäuse passen und dass die Schlauchbaugruppenverbindungen mit PTFE-band umwickelt und abgedichtet sind, um Luftlecks zu verhindern.

Schnittbild des Flüssigkeitsbereichs

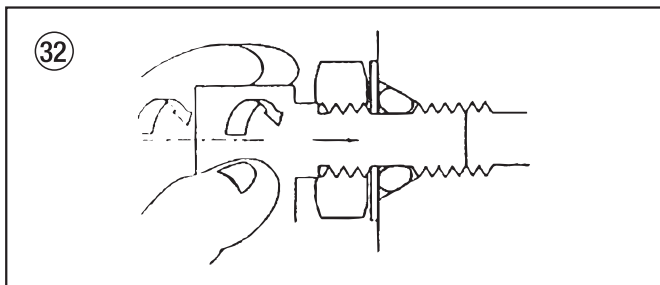


2.6 Montageanleitung zum SAE O-Ring

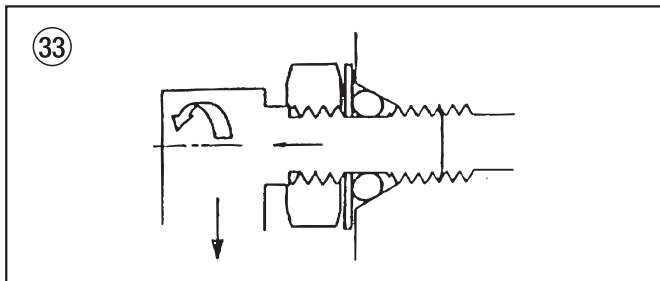
1. Ziehen Sie die Unterlegscheibe und den O-Ring so weit wie möglich zurück.
2. Schmieren Sie den O-Ring(1) und die Eintrittsöffnung (2).



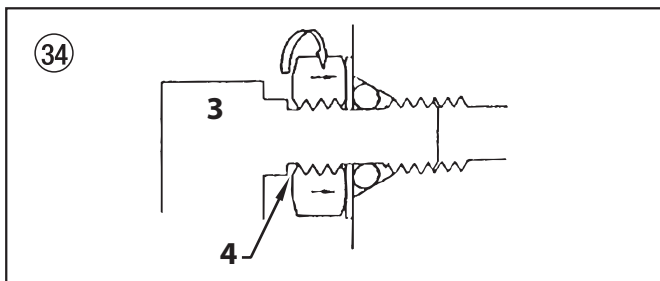
3. Schrauben Sie das Einschraubteil soweit rein, bis die Unterlegscheibe den O-Ring in die Eintrittsöffnung schiebt und diese flach auf der Öffnung sitzt (Ziehen Sie diesen nicht fest! Ziehe diesen nur handfest, um den O-Ring in die Öffnung zu drücken!)



4. Machen Sie beim Rückbau nicht mehr als eine komplette Drehung, um diese anzupassen.



5. Drehen Sie den Mutterschlüssel fest und halten dabei die Stütze auf das Einschraubteil (3). Dadurch entsteht eine Einlaufspalte (4) hinter der Gewindemutter, die als Hinweis dazu dient, dass das Einschraubteil korrekt montiert wurde. (Dies ist ein Merkmal nur für eine spezielle Version des Einschraubteils - dieses wird in den Zylinderkopf eingeschraubt. Andere Einschraubteile, die z. B. in die Hydraulikpumpe geschraubt werden, werden genauso montiert, haben aber ggf. keinen Indikator.)



Achtung

Schrauben Sie das Einschraubteil nicht zu weit ein. Dadurch kann die Unterlegscheibe verbogen werden, wodurch wiederum der O-Ring gepresst wird. Lassen Sie das Einschraubteil nicht zu sehr hervorragen. Dadurch kann der O-Ring durch das Gewinde des Einschraubteils durchtrennt werden.

3. Fehlerbehebung

3.1 Airless-Spritzpistole

Problem	Grund	Lösung
A. Spuckende Spritzpistole	<ol style="list-style-type: none"> 1. Luft im System 2. Verschmutzte Spritzpistole 3. Nadelbaugruppe nicht mehr angepasst 4. Sitz ist zerbrochen oder angeschlagen 	<ol style="list-style-type: none"> 1. Verbindungen auf Luftleck überprüfen. 2. Zerlegen und reinigen. 3. Ueberprüfen und abstimmen. 4. Ueberprüfen und ersetzen.
B. Spritzpistole lässt sich nicht absperrern	<ol style="list-style-type: none"> 1. Abgenutzte oder zerbrochene Nadel & Sitz 2. Nadelbaugruppe nicht mehr angepasst 3. Verschmutzte Spritzpistole 	<ol style="list-style-type: none"> 1. Ersetzen. 2. Abstimmen. 3. Reinigen.
C. Spritzpistole spritzt nicht	<ol style="list-style-type: none"> 1. Keine Farbe 2. Verstopfter Filter oder Düse 3. Zerbrochene Nadel in der Spritzpistole 	<ol style="list-style-type: none"> 1. Flüssigkeitsvorrat überprüfen. 2. Reinigen. 3. Ersetzen.

7.2 Flüssigkeitsbereich

Problem	Grund	Lösung
A. Pumpe gibt Farbe nur beim Aufwärtsstrich ab oder geht langsam aufwärts und schnell abwärts (üblicherweise auch downstroke dive genannt)	<ol style="list-style-type: none"> 1. Unterer Fussventillball kann sich nicht setzen, da entweder verschmutzt oder abgenutzt 2. Material ist zu dickflüssig um angesaugt zu werden. 3. Luft tritt an der Ansaugseite ein oder beschädigter Syphonschlauch. Der Syphon ist vielleicht zu klein für dickeres Material. 	<ol style="list-style-type: none"> 1. Fussventilbaugruppe entfernen. Reinigen und überprüfen. Fussventil testen indem es mit Wasser gefüllt wird; falls der Ball den Sitz nicht abdichtet, den Ball ersetzen. 2. Material verdünnen — Für die richtigen Verdünnungsverfahren den Hersteller kontaktieren. 3. Alle Verbindungen zwischen Pumpe und Farbbehälter festziehen. Falls beschädigt, ersetzen. Auf ein Syphonset mit grösserem Durchmesser wechseln.
B. Pumpe gibt Farbe nur beim Abwärtsstrich ab oder geht schnell aufwärts und langsam abwärts	<ol style="list-style-type: none"> 1. Oberer Ball kann sich nicht setzen, da entweder verschmutzt oder abgenutzt 2. Untere Dichtungen sind abgenutzt 	<ol style="list-style-type: none"> 1. Den oberen Sitz und Ball mit Wasser testen. Falls der Ball nicht abdichtet, den Sitz ersetzen. 2. Dichtungen ersetzen falls sie abgenutzt ist.
C. Pumpe bewegt sich schnell auf- und abwärts, gibt Farbe ab	<ol style="list-style-type: none"> 1. Materialkübel ist leer oder das Material ist zu dickflüssig um durch den Syphonschlauch zu fließen 2. Unterer Ball klebt an der Fussventilsitz 3. Syphonschlauch ist geknickt oder lose 	<ol style="list-style-type: none"> 1. Mit neuem Material auffüllen. Wenn es zu dickflüssig ist, den Syphonschlauch entfernen, Flüssigkeitsbereich in das Material eintauchen und Pumpe zum Grundieren anstellen. Verdünner dem Material beimischen. Auf ein grösseres Syphonset umstellen. Auslaufventil öffnen um Luft abzulassen und Pumpe neu starten. 2. Fussventil entfernen. Ball und Sitz reinigen. 3. Gerade legen.
D. Pumpe bewegt sich langsam auf- und abwärts wenn die Spritzpistole abgestellt ist	<ol style="list-style-type: none"> 1. Lose Verbindungen. Auslaufventil ist teilweise offen oder Auslaufventil ist abgenutzt. Unterer Dichtungssitz ist abgenutzt. 2. Oberer und/oder unterer Ball setzt sich nicht 	<ol style="list-style-type: none"> 1. Alle Verbindungen zwischen Pumpe und Spritzpistole überprüfen. Wenn nötig festziehen. Falls Material aus dem Ablassschlauch läuft, Ablassventil schliessen oder wenn nötig ersetzen. Wenn keine der obenerwähnten Lösungen erforderlich ist, die untere Dichtung ersetzen. 2. Bälle neu setzen indem sie gereinigt werden.
E. Ungenügend Flüssigkeitsdruck in der Spritzpistole	<ol style="list-style-type: none"> 1. Spritzpistolendüse ist abgenutzt 2. Abflussfilter oder Spritzpistolenfilter ist verstopft 3. Tiefe Spannung und/oder unzureichende Stromstärke 4. Schlauchdurchmesser ist zu klein oder Schlauchlänge zu lang 	<ol style="list-style-type: none"> 1. Ersetzen. 2. Filter reinigen oder ersetzen. 3. Elektrizitätsservice überprüfen. Wenn nötig korrigieren. 4. Schlauchdicke vergrössern um den Druckabfall im Schlauch zu vermindern und/oder Schlauchlänge verringern.
F. Pumpe klappert beim Aufwärts- oder Abwärtsstrich	<ol style="list-style-type: none"> 1. Lösungsmittel brachte obere Dichtung zum anschwellen 	<ol style="list-style-type: none"> 1. Dichtung ersetzen.

3.3 Hydraulikmotor

Problem

A. Oelmotor würgt unten ab (keine aussergewöhnlichen Hitze Probleme)

Grund

1. Kolbensitz der Flüssigkeitspumpe wurde aufgeschraubt
2. Ventil klebt oder die Stangengangsbaugruppe des Oelmotors hat sich abgesondert

Lösung

1. Wenn Verbindungsstange in Ordnung ist, Zylinderkopfstecker entfernen und Ventil nach unten drücken. Stecker ersetzen und Maschine neu starten. Wenn die Maschine nach oben zyklert und dann unten anhält, liegt das Problem beim Kolbensitz in der Flüssigkeitspumpe. Kolbensitz überprüfen. Reparieren oder wenn nötig ersetzen. Wenn der Kolbensitz in Ordnung ist und das Problem nicht behoben ist, den Oelmotor überprüfen.
2. Ventil entfernen und auf Kratzer und grobe Bewegung beim Auf- und Abgleiten überprüfen. Ventil und Spule in diesem Zustand ersetzen. In diesem Fall die Stange auf mögliche Abtrennung von der Spule überprüfen. Stange auf mögliche Abtrennung überprüfen.

B. Tiefer Druck (in Ordnung beim Abwärtsstrich, träge beim Aufwärtsstrich – grosse Hitze)

1. Ventil klebt
2. Federführung zerbrochen (Ventilstangenbaugruppe)
3. Feder oder Ventilstange zerbrochen
4. Luft im Hydraulikmotor

1. Ventil entfernen und auf Kratzer und grobe Bewegung beim Auf- und Abgleiten überprüfen. Ventil und Spule in diesem Zustand ersetzen.
2. Ventilstangenbaugruppe ersetzen.
3. Ventilstangenbaugruppe ersetzen.
4. Ventil neu einstellen. Luftentleerung, wird normalerweise erreicht, indem der Motor und die Pumpenbaugruppe während 5 – 10 Minuten unter leichtem Druck zyklieren. Gründe für den Lufteintritt überprüfen:
 - Lockere Einbauteile im Tank.
 - Lockere Einbauteile in der Hydraulikpumpe.
 - Lockere Schlauchverbindungen.
 - Oeltiefstand im Reservoir.
5. Wenn die Flüssigkeitspumpe Luft aufnimmt, kann der Fluss der Flüssigkeit im oberen Stand wahllos auftreten. Ventil nachstellen. Luft in der Flüssigkeitspumpe ist zu vermeiden.

C. Low pressure (okay on down stroke, sluggish on up.stroke — high heat)

1. Kolbendichtung zerstört

ANMERKUNG: Der Motor müht sich beim Aufwärtsstrich ab und geht in den Leerlauf bei Beginn des Abwärtsstriches.

2. Riss im Kolben

1. Vor der Demontage des Oelmotors die Maschine starten. Während die Pumpe unter Druck läuft, den Hydraulikzylinder berühren, um festzustellen ob der Zylinder oder Zylinderkopf heisser wird. Dies hilft zu ermitteln, ob die Kolbendichtung zerstört oder die Kolbenmutter zerbrochen ist. Wenn der Zylinderkopf heiss ist, die O-Ringe am Spulventil überprüfen.
2. Oelmotor demontieren und Kolgendichtungen, Zylinderbohrung und Kolbenmutter überprüfen. Spezielle Aufmerksamkeit ist der Kolbenmutter zu schenken. Sie kann angerissen sein, was äusserlich nicht erkennbar ist.

D. Tiefer Druck (Beide Strichrichtungen – grosse Hitze)

1. Mittlere O-Ringe am Spulventil zerstört

ANMERKUNG: Der Motor müht sich bei Beginn beider Strichrichtungen ab.

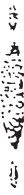
2. Schlechte Hydraulikpumpe

1. Vor der Demontage des Oelmotors die Maschine starten. Während die Pumpe unter Druck läuft, den Hydraulikzylinder berühren, um festzustellen ob der Zylinder oder Zylinderkopf heisser wird. Dies hilft zu ermitteln, ob der mittlere O-Ring am Spulventil zerstört ist. Wenn heiss, den O-Ring entfernen und ersetzen.
2. Hydraulikpumpe ersetzen.

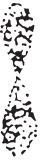
3.4 Spritzmuster

Problem

A. Schweif



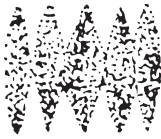
B. Stundenglas



C. Verzerrt



D. Muster ausgedehnt und zusammengedrückt (Schub)



E. Rundes Muster



Grund

1. Mangelhafte Flüssigkeitszufuhr

1. Mangelhafte Flüssigkeitszufuhr

1. Verstopfte oder abgenutzte Düse

1. Anschlagleck
2. Pulsierende Flüssigkeitszufuhr

1. Abgenutzte Düse
2. Flüssigkeit zu dickflüssig für Düse

Lösung

1. Flüssigkeit atomisiert nicht richtig: Flüssigkeitsdruck vergrößern. Düse mit einer kleineren Düse auswechseln. Flüssigkeitsviskosität verringern. Schlauchlänge verringern. Spritzpistole und Filter reinigen. Anzahl Spritzpistolen, die von der Pumpe bedient werden reduzieren.

1. Gleich wie oben.

1. Düse reinigen oder ersetzen.

1. Ansaugschlauch auf Leck überprüfen.
2. Düse mit einer kleineren Düse auswechseln. Pulsschlagdämpfer im System installieren oder existierender Dämpfer ablassen. Anzahl Spritzpistolen die von der Pumpe bedient werden reduzieren. Beschränkungen im System beseitigen; Düsengitter reinigen wenn Filter benutzt wird.

1. Düse ersetzen.
2. Druck erhöhen. Material verdünnen. Düse auswechseln.

Attention!

Danger de blessure par injection de produit!

Les groupes "Airless" produisent des pressions de projection extrêmement élevées.

**1**

Ne jamais exposer les doigts, les mains ou d'autres parties du corps au jet!

Ne jamais diriger le pistolet vers soi, vers d'autres personnes ou vers des animaux.

Utiliser toujours le pistolet muni de sa protection.

Ne traitez pas une blessure par injection comme simple coupure.

En cas de blessure de la peau par l'injection de peintures ou de solvants, consultez sans retard un médecin. Renseignez le médecin sur la nature de la peinture ou du solvant utilisés.

2

Avant toute mise en service, respecter les points suivants conformément aux instructions de service:

1. Ne jamais utiliser un équipement défectueux.
2. Verrouiller le pistolet Titan par le levier de sécurité à la gâchette.
3. Assurer la mise à la terre correcte.
4. Vérifier et respecter les pressions admissibles pour le flexible et le pistolet.
5. Contrôler l'étanchéité de tous les raccords.

3

Respecter sans faute les instructions relatives au nettoyage et à l'entretien réguliers du matériel.

Avant toute intervention sur le matériel et pendant chaque interruption de travail, observer les règles suivantes:

1. Evacuer la pression du pistolet et du flexible.
2. Verrouiller le pistolet Titan par le levier de sécurité à la gâchette.
3. Arrêter le groupe.

Ne négligez pas la sécurité!

Contenu

	Page
1. Prescriptions de sécurité pour la projection Airless	34
1.1 Explication des symboles utilisés	34
1.2 Sécurité en électricité	34
1.3 Sécurité du moteur à essence.....	35
1.4 Ravitaillement (moteur à essence).....	35
2. Réparations sur l'appareil	37
2.1 Remplacement des balais de moteur (moteur électrique de 120 V facultatif)	37
2.2 Réglage de la trajectoire de la roulette avant.....	38
2.3 Remplacement de la courroie	39
2.4 Entretien du moteur hydraulique	40
2.5 Maintenance de la section des liquides	42
2.6 Installation du raccord SAE du joint torique	44
3. Dépannage	45
3.1 Pistolet sans air.....	45
3.2 Section des liquides.....	45
3.3 Moteurs hydrauliques.....	46
3.4 Répartition de la pulvérisation	47
Accessoires et pièces de rechange	48
Liste des pièces de rechange ensemble principal.....	48/49
Liste des pièces de rechange ensemble de chariot I.....	50/51
Liste des pièces de rechange ensemble de chariot II.....	52/53
Liste des pièces de rechange du système hydraulique.....	54/55
Liste des pièces de rechange du moteur hydraulique	56/57
Liste des pièces de rechange de section des liquides • PL4955	58/59
Liste des pièces de rechange de section des liquides • PL6955 / PL8955	60/61
Liste des pièces de rechange convertokit à essence.....	62
Liste des pièces de rechange protège-courroie.....	63
Liste des pièces de rechange filtre à haute pression.....	64/65
Liste des pièces de rechange assemblage du tuyau de décharge avec soupape.....	66
Liste des pièces de rechange assemblage de la soupape de décharge.....	67
Liste des pièces de rechange assemblage de la roulette	68
Liste des pièces de rechange pour l'ensemble servant à lever ou incliner	69
Liste des pièces de rechange pour l'ensemble de support à pistolet.....	70
Schéma de branchement du tuyau hydraulique	101
Schéma électrique (PL4955)	72
Schéma électrique (PL6955/PL8955)	73
Accessoires pour groupes PL	74
Buses de rayage	76
Tableau de buse de rayage.....	78
Liste des pièces de rechange convertokit électrique (120V).....	79
Garantie	81

1. Prescriptions de sécurité pour la projection Airless

1.1 Explication des symboles utilisés

Veillez lire et être sûr de comprendre toutes les informations contenues dans ce manuel avant d'utiliser l'appareil. Lorsque vous pénétrez dans une zone qui contient les symboles suivants, soyez particulièrement vigilant et vérifiez que les systèmes de sécurité sont bien installés.

	Ce symbole indique un risque potentiel pouvant entraîner des blessures graves ou même mortelles. Vous trouverez ci-après d'importantes consignes de sécurité.
 Attention	Ce symbole indique un risque potentiel pour vous ou pour l'appareil. D'importantes informations sur la manière d'éviter tout dommage de l'équipement ou d'éviter des blessures légères sont indiquées ci-après.
	Danger de blessure par injection de produit
	Danger d'incendie
	Risque d'explosion
	Vapeurs toxiques et/ou inflammables. Danger d'intoxication et de brûlure
	Les notes contiennent des informations qui doivent être consciencieusement respectées.



RISQUE : Blessure par projection

Un courant de liquide à haute pression produit par cet équipement peut percer la peau et les tissus sous-cutanés, et entraîner des blessures graves ou une amputation.

Ne traitez pas une blessure par injection comme simple coupure. En cas de blessure de la peau par l'injection de peintures ou de solvants, consultez sans retard un médecin. Renseignez le médecin sur la nature de la peinture ou du solvant utilisés.

PRÉVENTION :

- NE dirigez JAMAIS le pistolet vers une partie du corps, quelle qu'elle soit.
- NE laissez JAMAIS une partie du corps entrer en contact avec le flux de liquide. NE laissez JAMAIS votre corps au contact d'une fuite dans le tuyau de liquide.
- NE placez JAMAIS vos mains devant le pistolet. Les gants ne constituent pas un rempart suffisant contre les blessures par projection.
- Bloquez TOUJOURS la gâchette du pistolet, éteignez la pompe et vidangez toute la pression avant toute opération d'entretien, avant de nettoyer une buse ou une protection, avant de changer une buse ou si vous laissez l'appareil sans surveillance. La pression ne s'évacue pas simplement en éteignant le moteur. La vanne prime/SPRaY ou la vanne de décharge de la pression doivent être placées dans les positions souhaitées pour vidanger la pression.

- Conservez TOUJOURS la protection de la buse en place lorsque vous pulvérisez. La protection de la buse fournit une certaine protection mais il s'agit principalement d'un système d'alarme.
- Enlevez TOUJOURS la buse de pulvérisation avant de rincer ou de nettoyer le système.
- N'utilisez JAMAIS un pistolet pulvérisateur sans blocage de gâchette et sans protection de gâchette.
- Tous les accessoires doivent pouvoir travailler à la pression de travail maximale du pulvérisateur ou au-dessus. Ceci concerne les buses de pulvérisation, les pistolets, les rallonges et le tuyau.



RISQUE : Flexible à haute pression

Le tuyau de peinture peut présenter des fuites dues à l'usure, aux pincements et aux mauvaises utilisations. Toute fuite peut entraîner une projection de matériau dans la peau. Vérifiez soigneusement le tuyau avant chaque utilisation.

PRÉVENTION :

- Il faut éviter de trop plier le flexible; le plus petit rayon ne doit pas être inférieur à 20 cm.
- Protéger le flexible contre le passage de véhicules et éviter le frottement sur des arêtes vives.
- Remplacer immédiatement tout tuyau à haute pression endommagé.
- Ne jamais essayer de réparer un flexible endommagé!
- La charge électrostatique du pistolet et du flexible est évacuée par ce dernier. Pour cette raison, la résistance électrique entre les raccords du flexible doit être égale ou inférieure à 1 mégohm.
- Pour des raisons de fonctionnement, de sécurité et de durée utile utiliser exclusivement des flexibles à haute pression originaux de Titan.
- Avant chaque utilisation, vérifiez que les tuyaux ne présentent ni coupures, ni fuites, ni signes d'abrasion ou de renflement du revêtement. Vérifiez l'état et le mouvement des raccords. Remplacez immédiatement les tuyaux s'ils sont en mauvais état. Ne réparez jamais un tuyau de peinture. Remplacez-le par un tuyau à haute-pression relié à la masse.
- Assurez vous que le tuyau à air et les tuyaux de pulvérisation sont disposés de façon à éviter les risques de glissade, de trébuchement ou de chute.



RISQUE : Explosion et incendie

Les vapeurs inflammables, telles que les vapeurs de solvant et de peinture, dans une zone de travail peuvent s'enflammer ou exploser.

PRÉVENTION :

- Servez-vous de l'équipement dans un endroit bien aéré. Faites circuler beaucoup d'air frais dans l'endroit afin d'éviter l'accumulation de vapeurs inflammables dans la zone de pulvérisation. Entrez l'ensemble de la pompe dans un endroit bien aéré. Ne pulvérisez pas l'ensemble de la pompe.
- Modèles à essence uniquement - Ne faites jamais le plein lorsque le moteur est en marche ou chaud. Éteignez le moteur et laissez-le refroidir. L'essence est inflammable. Elle peut s'enflammer ou exposer si on en renverse sur une surface chaude.
- Modèles électriques uniquement - N'utilisez pas de peintures ayant un point d'éclair sous 38 °C (100 °F). Le point d'éclair est la température à laquelle un liquide peut produire suffisamment de vapeurs pour s'enflammer.
- Éliminez toutes les sources d'inflammation, comme les veilleuses, les cigarettes, les lampes électriques portatives et les toiles de protection en plastique (risque d'arc statique).

- Gardez la zone de travail exempte de débris, y compris des solvants, des chiffons et d'essence.
- Ne branchez ou ne débranchez pas les cordons d'alimentation, ne mettez pas l'appareil en marche, n'allumez ou n'éteignez pas les lumières lorsque des vapeurs inflammables sont présentes.
- Mettez à terre l'équipement et les objets conducteurs dans la zone de travail. Assurez-vous que la chaînette de mise à la terre est en place et touche le plancher.
- Utilisez uniquement des tuyaux mis à la terre.
- Tenez le pistolet de pulvérisation fermement contre le côté d'un seau mis à la terre lorsque vous pulvérisez dans le seau.
- S'il y a production d'étincelles statiques ou si vous ressentez un choc, arrêtez le fonctionnement immédiatement.
- Soyez au courant du contenu de la peinture et des solvants à pulvériser. Lisez toutes les fiches signalétiques (FS) et les étiquettes des récipients de peinture et de solvant. Suivez les consignes de sécurité du fabricant de peinture et du solvant.
- N'utilisez pas de peinture ou de solvant contenant des hydrocarbures hydrogénés, comme du chlore, de l'eau de Javel, un agent anti-moisissure, du chlorure de méthylène et du trichloroéthane. Ils ne sont pas compatibles avec l'aluminium. Communiquez avec le fournisseur de revêtement au sujet de la compatibilité du produit avec l'aluminium.
- Gardez un extincteur dans la zone de travail.
- Nettoyez immédiatement les matériaux tombés et le solvant déversé accidentellement, afin d'éviter les risques de glissade.
- Munissez-vous d'une protection auditive. Le bruit émis par cet appareil peut dépasser les 85 dB(A).
- Ne laissez jamais cet outil sans surveillance. Tenez-le hors de portée des enfants ou des personnes non familiarisées avec le fonctionnement des équipements sans air.
- Ne vaporisez pas à l'extérieur en cas de vent.
- L'appareil et tous ses liquides (p. ex., huile hydraulique) doivent être détruits sans danger pour l'environnement.

1.2 Sécurité en électricité

Les modèles électriques doivent être reliés à la terre. En cas de court-circuit électrique, la mise à la terre réduit les risques de choc électrique en fournissant un fil d'échappement pour le courant électrique. Ce produit est équipé d'un câble avec un fil de mise à la terre et une fiche de mise à la terre adaptée. Branchement au réseau seulement par un point d'alimentation spécial, par exemple par un disjoncteur à courant de défaut de INF < 30 mA.



DANGER — Les travaux ou réparations sur l'équipement électrique doivent être confiés uniquement à un électricien qualifié. Nous déclinons toute responsabilité en cas d'installation inappropriée. Arrêter l'appareil. Avant toutes réparations, tirer la fiche de la prise de courant.

Danger de court-circuit par la pénétration d'eau dans l'équipement électrique. Ne jamais nettoyer le matériel avec un jet d'eau ou de vapeur sous haute pression.



N'utilisez pas une douille de 12 V sans installer une pile chargée à bloc.

Travaux et réparations sur l'équipement électrique:

Faire effectuer ces interventions uniquement par un électricien. Nous déclinons toute responsabilité dans le cas d'une installation incorrecte.

Température de fonctionnement

Cet équipement fonctionnera correctement à sa température ambiante visée, entre +10°C et +40°C au moins.

Humidité relative

Cet équipement fonctionnera correctement dans un milieu ayant une humidité relative de 50 %, à +40°C. Une humidité relative plus élevée peut être permise à des températures plus basses.

L'acheteur doit prendre des mesures afin d'éviter les effets destructeurs de la condensation accidentelle.

Altitude

Cet équipement fonctionnera correctement jusqu'à 2 100 m au-dessus du niveau moyen de la mer.

Transport et entreposage

Cet équipement résistera aux températures de transport et d'entreposage entre -25°C et +55°C et jusqu'à +70°C pour des périodes courtes, ou il est protégé pour résister à ces températures. Son emballage prévient les dommages des effets de l'humidité, de la vibration et des coups normaux.



RISQUE : Vapeurs dangereuses

Les peintures, solvants, et autres matériaux peuvent être nocifs en cas d'inhalation ou de contact avec la peau. Les vapeurs peuvent entraîner de sérieuses nausées, des syncopes ou des empoisonnements.

PRÉVENTION :

- Pendant le travail de protection porter un masque respiratoire. Lisez attentivement toutes les instructions fournies avec le masque pour vous assurer qu'il fournit bien la protection nécessaire.
- Tous les règlements locaux en matière de protection contre les vapeurs toxiques doivent être respectés.
- Portez des protections oculaires.
- Pour protéger la peau il est nécessaire de porter des vêtements de protection, des gants et d'utiliser éventuellement une crème de protection de la peau. Observer les prescriptions des fabricants au sujet des produits de peinture, de nettoyage et des solvants pendant la préparation, la mise en oeuvre et le nettoyage du matériel.



RISQUE : Généralités -

peut entraîner des blessures sévères ou des dégâts matériels.

PRÉVENTION :

- Respectez toutes les réglementations locales et nationales concernant la ventilation, la prévention des incendies et le fonctionnement.
- Lorsque vous appuyez sur la détente, il se produit un mouvement de recul de la main qui tient le pistolet pulvérisateur. Le recul du pistolet pulvérisateur est particulièrement puissant lorsque la buse a été démontée et lorsque la pompe sans air a été réglée sur une pression élevée. Lors du nettoyage sans buse, réglez donc le bouton de contrôle de la pression sur la pression minimale.
- N'utilisez que des pièces de rechange d'origine. L'utilisateur assume tous les risques s'il utilise des pièces qui ne correspondent pas aux spécifications minimales et aux dispositifs de sécurité du fabricant de la pompe.
- Respectez TOUJOURS les consignes du fabricant du matériau pour manipuler la peinture et les solvants en toute sécurité.

1.3 Sécurité du moteur à essence

1. Les moteurs à essence sont conçus pour offrir un service sûr et stable à condition d'être utilisés conformément aux instructions. Lisez attentivement et assurez-vous de bien comprendre le Manuel d'utilisateur du fabricant du moteur avant d'utiliser le moteur. Dans le cas contraire, vous pourriez vous blesser ou endommager l'équipement.
2. En vue d'éviter tout risque d'incendie et de fournir une ventilation adéquate, conservez le moteur à 1 mètre (3 pieds) minimum de tout bâtiment et de tout autre équipement pendant son fonctionnement. Ne placez pas d'objets inflammables à proximité du moteur.
3. Les personnes qui n'utilisent pas l'appareil doivent s'en éloigner afin d'éviter le risque de brûlures des composantes chaudes du moteur ou le danger de blessures provenant de l'équipement utilisé pour faire fonctionner l'appareil.
4. Sachez comment arrêter rapidement le moteur, et veillez à bien comprendre le fonctionnement de toutes les commandes. N'autorisez jamais personne à utiliser le moteur sans prendre connaissance des instructions adéquates.
5. L'essence est un produit extrêmement inflammable pouvant exploser sous certaines conditions.
6. Faites le plein d'essence dans une zone suffisamment ventilée, le moteur à l'arrêt. Ne fumez pas et évitez tout flamme ou étincelle dans la zone d'alimentation en essence ou dans le lieu où est stockée l'essence.
7. Ne remplissez pas trop le réservoir d'essence. Après avoir fait le plein d'essence, assurez-vous que le couvercle du réservoir est correctement et solidement refermé.
8. Faites attention à ne pas répandre de l'essence lors du remplissage du réservoir. Les vapeurs d'essence ou l'essence répandue sont susceptibles de s'enflammer. Si vous venez à déverser de l'essence, assurez-vous que la zone est bien sèche avant de mettre le moteur en marche.
9. Ne faites jamais fonctionner le moteur dans un espace clos ou confiné. L'échappement contient du monoxyde de carbone toxique ; toute exposition pourrait occasionner une perte de connaissance, voire entraîner la mort.
10. Le pot d'échappement devient extrêmement chaud pendant le fonctionnement et reste chaud pendant un certain moment même après l'arrêt du moteur. Veillez à ne pas toucher le pot d'échappement lorsqu'il est chaud. En vue d'éviter de sérieuses brûlures ou des risques d'incendie, laissez refroidir le moteur avant de le transporter ou de le ranger à l'intérieur.
11. Ne déplacez / transportez jamais le pulvérisateur lorsqu'il y a de l'essence dans le réservoir.



N'UTILISEZ PAS cet appareil pour pulvériser de l'eau ou de l'acide.



Attention

Ne vous servez pas de la poignée du chariot pour soulever lors du chargement ou du déchargement. L'appareil est très lourd. Trois personnes sont nécessaires pour les soulever.

1.4 Ravitaillement (moteur à essence)



L'essence est extrêmement inflammable et explosive dans certaines conditions.

Spécifications du carburant

- Utilisez une essence automobile ayant un indice d'octane d'au moins 86, ou un indice d'octane recherche d'au moins 91. L'utilisation d'une essence ayant un indice d'octane inférieur peut causer un « cognement » ou une « détonation » (un bruit d'ébranlage métallique) tenace qui, s'il est grave, peut endommager le moteur.



S'il y a un « cognement » ou une « détonation » à une vitesse constante avec une charge normale, utilisez une autre marque d'essence. Si vous obtenez toujours un cognement ou une détonation, consultez un distributeur agréé du fabricant de moteurs. Le fait de ne pas suivre cette directive constitue un abus. Les dommages causés par l'abus ne sont pas couverts par la garantie restreinte du fabricant du moteur.

Il se peut que vous entendiez parfois une détonation légère pendant le fonctionnement avec des charges lourdes. Il n'y a aucune raison de s'inquiéter, cela signifie simplement que votre moteur fonctionne de façon efficace.

- L'essence sans plomb produit moins de dépôts du moteur et de la bougie, et rallonge la durée de vie des composantes du système d'échappement.
- Ne jamais utiliser de l'essence éventée ou contaminée, ou un mélange d'huile et d'essence. Évitez de laisser entrer de la saleté, de la poussière ou de l'eau dans le réservoir à essence.

Essences contenant de l'alcool

Si vous décidez d'utiliser une essence qui contient de l'alcool (gasohol), assurez-vous qu'elle a au moins un indice d'octane correspondant à celui qui est recommandé par le fabricant du moteur. Il existe deux types de « gasohol » : un type contient de l'éthanol, tandis que l'autre contient du méthanol. N'utilisez pas un gasohol qui contient plus de 10 % d'éthanol. N'utilisez pas d'essence qui contient du méthanol (alcool méthylique ou de bois), mais qui n'inclut pas également des cosolvants et des inhibiteurs de corrosion pour le méthanol. N'utilisez jamais de l'essence qui contient plus de 5 % de méthanol, même si elle contient également des cosolvants et des inhibiteurs de corrosion.



Les dommages au système d'alimentation ou les problèmes de rendement du moteur découlant de l'utilisation d'essences contenant de l'alcool ne sont pas couverts par la garantie. Le fabricant du moteur ne peut pas approuver l'utilisation d'essences contenant du méthanol étant donné que leur adaptation n'a pas encore été éprouvée.

Avant d'acheter de l'essence d'une station-service inconnue, essayez de savoir si l'essence contient de l'alcool. Si elle en contient, confirmez le type d'alcool utilisé, ainsi que le pourcentage inclus. Si vous remarquez des caractéristiques de fonctionnement indésirables lorsque vous utilisez une essence qui contient de l'alcool, ou que vous croyez qu'elle contient de l'alcool, utilisez une essence dont vous êtes certains qu'elle ne contient pas d'alcool.

2. Réparations sur l'appareil



Avant d'effectuer des réparations, assurez-vous d'effectuer la procédure de décompression, section 4.6 du Manuel D'utilisation. Respectez également tous les autres avertissements afin de minimiser les risques de blessures dus à des projections ou à des pièces mobiles ou les risques de décharge électrique. Débranchez toujours le pulvérisateur avant de procéder à son entretien !

2.6 Remplacement des balais de moteur (moteur électrique de 120 V facultatif, PL4955 uniquement)

Le Convertokit électrique de 120 V est disponible par achat distinct.



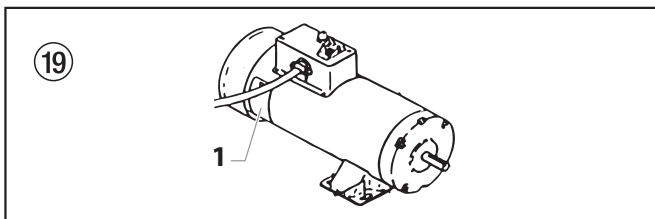
Pendant l'installation du Convertokit de 120 V, attachez le devant du PowrLiner pour l'empêcher de basculer vers l'arrière.

Suivez ces directives en se servant de la trousse de remplacement des balais de moteur (no de pièce 978-050). La trousse contient deux brosses, deux ressorts et deux agrafes.

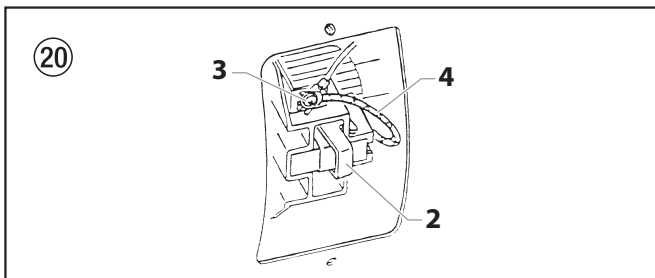


Les brosses devraient être remplacées lorsqu'elles sont usées à moins de 1,25 cm. Vérifiez et remplacez les deux brosses au même moment.

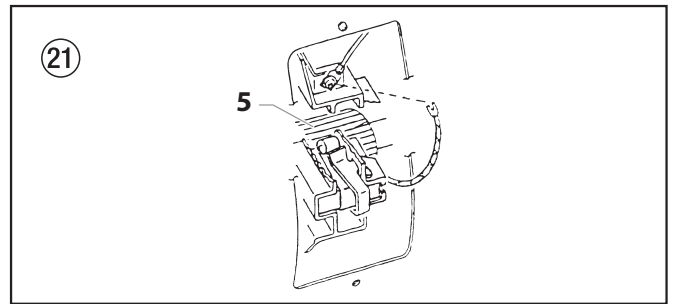
1. Retirez les deux couvercles d'inspection (1) sur le moteur.



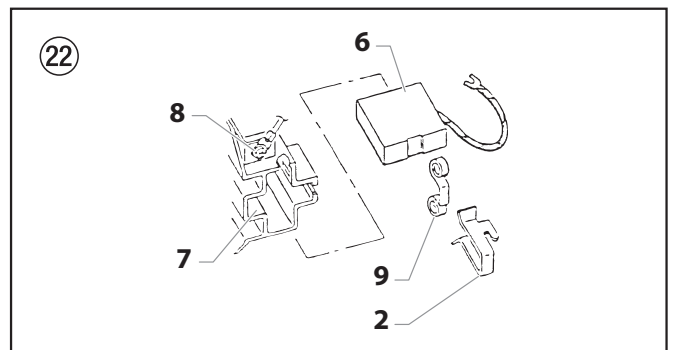
2. Appuyez sur l'agrafe-ressort (2) afin de le dégrafer, ensuite retirez-le.
3. Dévisser la vis de serrage (3). Retirez la broche de raccordement (4) de la brosse, mais laissez le câble du moteur en place. Retirez la brosse et le ressort.



4. Inspectez le commutateur (5) pour des signes de brûlures, de piqûres de corrosion excessive ou de gougeage. Il est normal que le commutateur soit noir.



5. Installez la nouvelle brosse (6) de façon à ce que sa broche de raccordement se glisse dans la longue fente du porte-balai (7). Poussez la borne sous la rondelle de la borne (8). Assurez-vous que le câble de moteur est encore connecté à la vis. Serrez la vis.
6. Placez le ressort (9) sur la brosse (6) tel qu'illustré ci-dessus. Appuyez sur l'agrafe-ressort (2) et agrafez-le. Répétez la procédure pour l'autre côté.



7. Réinstaller les deux couvercles d'inspection.



Si le moteur électrique se surcharge et arrête de fonctionner, arrêtez IMMÉDIATEMENT le moteur et suivez la procédure de décompression dans la section Nettoyage du présent manuel. Attendez que le moteur se refroidisse (environ 30 minutes). Appuyez ensuite sur le couvercle en bulle, le bouton de réenclenchement manuel, mettez le moteur en marche et mettez le système en pression.

2.2 Réglage de la trajectoire de la roulette avant

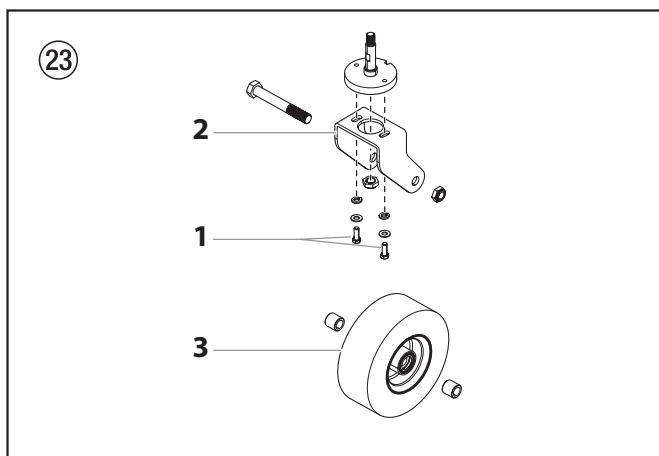
La roulette avant est réglée par l'usine pour suivre une ligne droite. Utilisez la procédure qui suit si un réglage de la roulette s'avère nécessaire.

1. Desserrez les deux vis hexagonales (1) situées sur le collier de fixation (2) de la roulette.
2. Tournez légèrement le collier de fixation (2) de la roulette dans la direction souhaitée.



La goupille d'arrêt de la roulette avant doit être engagée pendant le réglage de la trajectoire.

3. Serrez les deux vis hexagonales.
4. Vérifiez la trajectoire de la roulette avant. Si la roulette ne suit pas une ligne droite, recommencez la procédure ci-avant.



2.3 Remplacement de la courroie (Fig. 24)



Avant de remplacer la courroie de votre appareil, assurez-vous d'avoir suivi la procédure de décompression illustrée dans la section Fonctionnement du présent manuel. NE tentez PAS d'effectuer cette réparation pendant que l'appareil est en marche.



Les images ci-dessous illustrent un appareil muni d'un moteur à essence. Toutes les directives de cette section s'appliquent à la fois aux modèles ayant un moteur à essence et aux modèles ayant un moteur électrique, sauf lorsqu'il est indiqué autrement.

1. Desserrez le bouton (1) à l'avant du protège-courroie. Levez le devant du protège-courroie (2) afin d'exposer le devant de la courroie (3).
2. Levez doucement le devant du moteur à essence/moteur électrique. Cela réduira la tension de la courroie et facilitera son enlèvement.



DANGER DE PINCEMENT. Assurez-vous que vos doigts ne touchent pas la plaque de fixation du moteur à essence/moteur électrique.

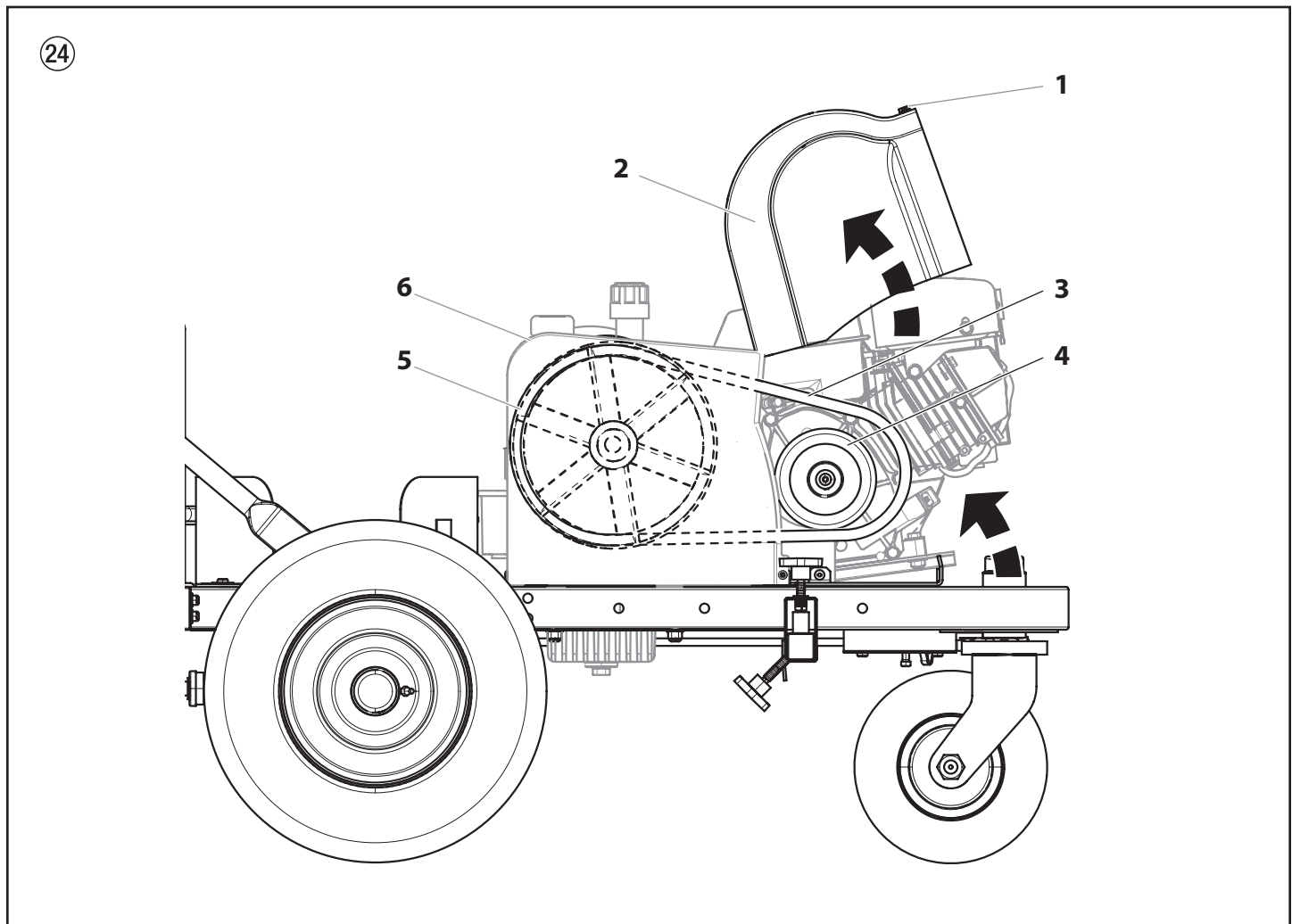
DANGER DE BRÛLURE. Assurez-vous de laisser le moteur à essence se refroidir suffisamment avant de le toucher.



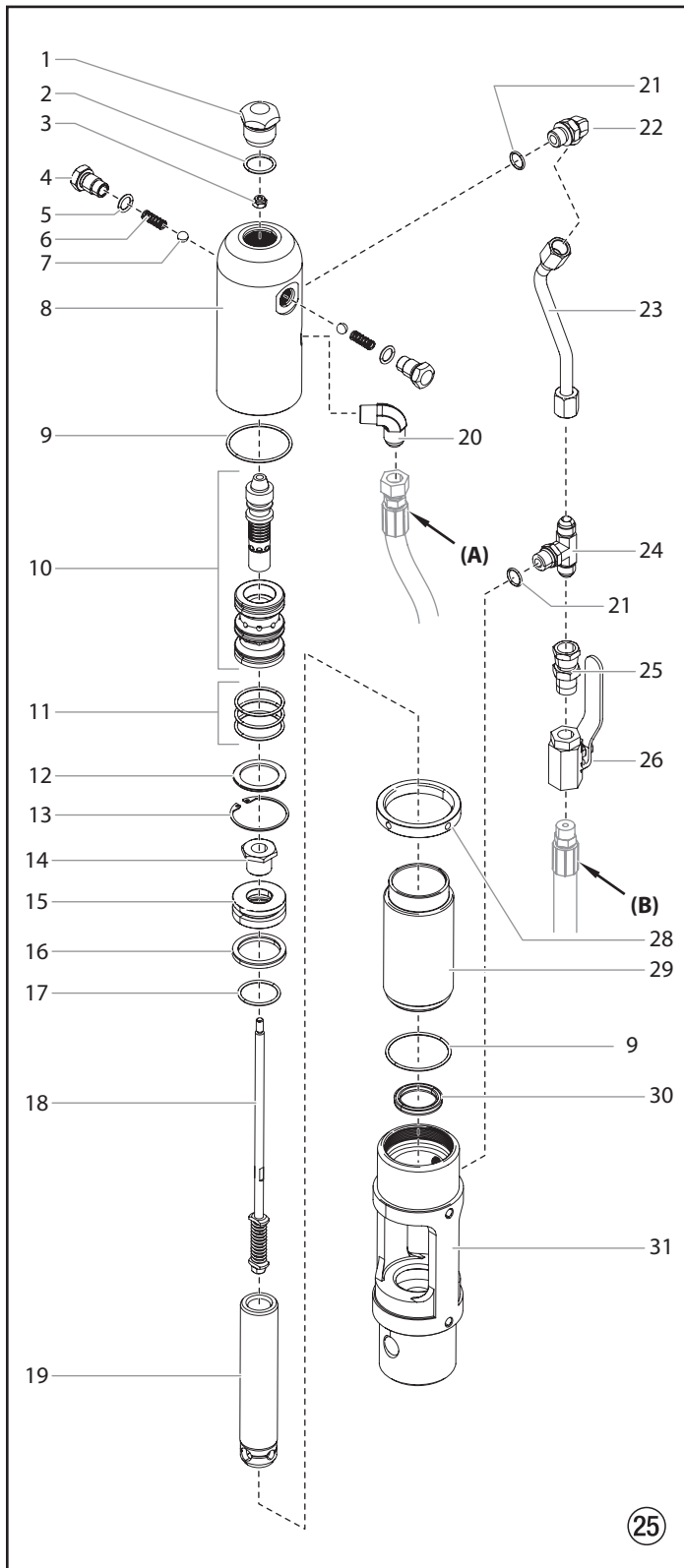
Attention

Assurez-vous que la courroie n'est pas pincée ou tordue de quelque façon que ce soit une fois que le moteur à essence/électrique est remis en place.

3. Lorsque le moteur à essence/électrique est levé, retirez la courroie des poulies avant (4) et arrière (5).
4. Installez la nouvelle courroie :
 - a. Insérez la courroie dans la section fixe du protège-courroie (6). Passez la courroie autour de la poulie arrière (5) jusqu'à ce que la courroie entre dans la gorge de poulie.
 - b. Levez doucement le devant du moteur à essence/moteur électrique.
 - c. En levant le devant du moteur à essence/électrique, passez l'autre bout de la courroie autour de la poulie avant (4).
 - d. Abaissez doucement le moteur à essence/électrique. Le poids du moteur à essence/électrique créera de la tension dans la courroie et l'empêchera de tomber.
- e. Fermez le protège-courroie (2) et serrez le bouton du protège-courroie (1).



2.4 Entretien du moteur hydraulique (fig. 23)



Consultez la procédure « Installation du raccord SAE du joint torique » à la fin de la section afin d'obtenir les directives d'installation de les articles 22 et 24.

Réalisez cette procédure au moyen des pièces nécessaires fournies dans le kit d'entretien du moteur - mineur (n° de pièce 235-050). Si le moteur hydraulique est prêt à fonctionner, démarrez la machine et placez la tige du piston (19) dans sa position la plus haute.



L'entretien du moteur hydraulique doit uniquement s'opérer dans un lieu propre, dénué de toute poussière. Toute poussière ou particule métallique laissée dans le moteur ou s'y introduisant lors du remontage peut endommager les pièces critiques et affecter la durée de vie et la garantie de l'appareil. Toutes les pièces doivent être inspectées afin d'assurer une propreté absolue.

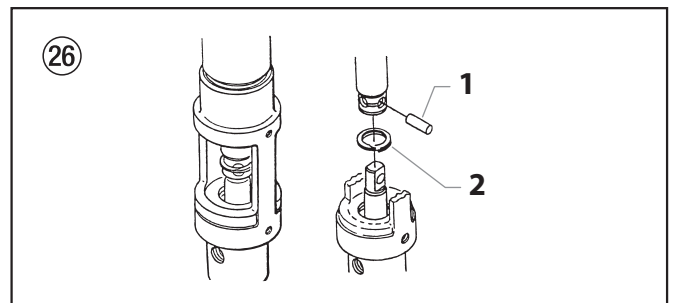
Démontage du moteur hydraulique

1. Déconnectez le tuyau de pression (B) du coude situé à l'arrière de la pompe hydraulique.
2. Retirez les deux vis de montage et les deux rondelles de blocage qui relient l'unité moteur/pompe au support de la pompe du chariot.
3. Placez l'unité moteur/pompe dans un étau, en la maintenant fortement par le bloc moteur/pompe (31).
4. Retirez la fiche de la tête du cylindre (1).
5. Desserrez la bague de retenue (28) à l'aide d'une tricoise et détachez l'écrou de retenue du tube du raccord en T (24). Desserrez l'écrou de retenue du tube situé sur le coude (22). Faites glisser l'écrou vers le bas. Retirez le tube moteur (23). Ôtez doucement la tête du cylindre (8) et levez-la assez haut au-dessus du cylindre (29) pour atteindre la tige de soupape (18) avec les pinces de l'étau.
6. La tige du piston (19) doit se situer à proximité du haut de sa course pour le démontage. Il peut s'avérer utile d'utiliser un conducteur en bois ou en nylon pour pousser la tige du piston jusqu'à sa position la plus haute.
7. Saisissez fortement la tige de déclenchement avec les pinces de l'étau puis retirez l'écrou de blocage souple FlexLoc (3) du dessus de la tige de manœuvre (18). Veillez à ce que le tiroir (10) ne tombe pas. La tête du cylindre (8) peut désormais être ôtée par le haut. Dégagez le cylindre (29) du bloc moteur/pompe (31).



Une bague de retenue supplémentaire (28) peut être utilisée pour joindre les deux bagues de retenue sur le cylindre et une clé à tuyau peut être utilisée pour dégager le cylindre (29) du bloc moteur/cylindre (31).

8. Pour retirer la goupille de connexion (fig. 26, pos. 1), faites glisser la bague de retenue (2) vers le bas à l'aide d'un petit tournevis puis ôtez la goupille de connexion en la poussant.



9. Retirez la tige du piston du bloc moteur/pompe (31).
10. Retirez le joint de tige (30) en faisant particulièrement attention à ne pas rayer la rainure pour joint du bloc moteur/pompe (31).
11. Placez la vis de retenue du piston (14) sur la tige du piston dans un étau. Faites glisser une longue barre par le trou situé à la base de la tige du piston pour faire lever, puis dégagez la tige du piston de la vis de retenue du piston.
12. Ôtez le piston (19) et retirez la tige de déclenchement en la soulevant (18).
13. Retirez le joint du piston (16) et le joint torique (17).
14. Retirez les dispositifs de retenue du déclenchement (4), les ressorts de déclenchement (6), et les billes (7) de la tête du cylindre (8). Retirez les joints toriques (5) des dispositifs de retenue du déclenchement (4).

15. Ôtez la bague de retenue (13) et le dispositif de retenue du manchon (12). Faites doucement sortir l'ensemble tiroir/manchon (10) de la tête du cylindre (8) à l'aide d'une tige en bois ou en nylon.
16. Inspectez la tige du piston (19) et le cylindre (29) pour détecter toute éventuelle usure, rayure ou entaille. Remplacez-les s'ils sont endommagés.
17. Inspectez la soupape à tiroir (10) pour surveiller l'usure. Remplacez si nécessaire. La soupape à tiroir doit pouvoir bouger doucement et librement sans forcer en demeurant dans un plan vertical. Si ce n'est pas le cas, le moteur peut caler.
12. Tirez sur la tige de soupape (18) vers le haut aussi loin que possible et saisissez-la avec les pinces de l'étau. Installez ensuite la tête du cylindre (8), déjà assemblée, sur la tige de soupape jusqu'à ce que les filetages de la tige de soupape passent par le haut du tiroir/manchon (10). Les filetages de la tige de soupape doivent être propres et dénués de toute trace d'huile. Placez une goutte de Loctite bleue sur les filetages de l'écrou de blocage souple (3) et l'écrou fileté sur la tige de soupape en position totalement serrée (ne serrez pas trop) tout en maintenant la tige de soupape en dessous au moyen des pinces de l'étau.
13. Vissez la tête du cylindre (8) vers le bas sur le cylindre (29) puis vers l'arrière juste assez pour remonter les raccords hydrauliques et le tube moteur (23). Serrez la bague de retenue avec une tricoise pour maintenir la tête du cylindre en place.
14. Installez un joint torique (2) sur la fiche de la tête du cylindre (1). Serrez.

Remontage du moteur hydraulique

1. Tiroir/manchon séparé (10). Placez les joints toriques (11) sur le manchon. Lubrifiez les joints toriques avec du liquide hydraulique. Enfoncez doucement le manchon dans la tête du cylindre (8), le côté le plus plat du manchon vers l'extérieur. Utilisez une tige en nylon pour enfoncer le manchon jusqu'à ce qu'il atteigne une profondeur correcte. N'utilisez pas d'autre type d'outil qui pourrait endommager le manchon ou encore laisser des particules ou des résidus sur le manchon. Installez le tiroir dans le haut de la tête du cylindre, dans le manchon.



N'utilisez pas le lubrifiant Piston Lube destiné aux garnitures de la pompe. Il s'agit d'un solvant qui pourrait gravement endommager les joints et les joints toriques du moteur hydraulique.

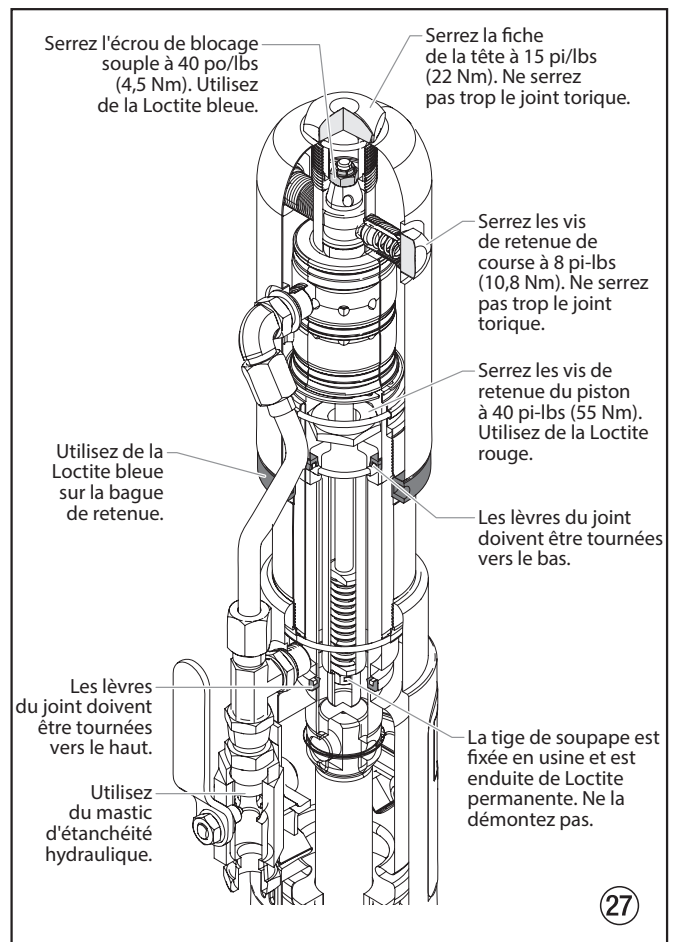
2. Installez les joints toriques (5) sur les dispositifs de retenue de la course (4). Installez les billes de retenue de la course (7) puis les ressorts (6) qui, une fois installés, maintiendront le tiroir/manchon (10) en place pour le montage.
3. Installez la bague de retenue du manchon (12) puis le circlip (13) dans la tête du cylindre (8) ; ce dernier permettra de maintenir le manchon de la soupape. Installez le joint torique (9) dans la rainure pour joint torique de la tête du cylindre.
4. Remplacez le joint inférieur (30) du bloc moteur/pompe (31). Assurez-vous que la portion ouverte du siège soit bien tournée vers le haut (V). Ce joint ne requiert pas d'outil particulier.
5. Placez la tige du piston (19) dans l'étau. Inspectez la tige de la soupape (18) en vue de détecter tout dégât éventuel. Assurez-vous que l'écrou de blocage situé au bas de la tige de la soupape (20) est bien fixé. Ne l'enlevez PAS. Ensuite, insérez dans la tige du piston (19) comme le montre l'illustration. Installez le joint torique (17), en le lubrifiant bien, et remettez le piston (15) sur la tige du piston (19). Versez une goutte de Loctite bleue sur la vis de retenue du piston (14). Serrez la vis de retenue du piston jusqu'à ce que le piston soit bien en place. Vérifiez la tige de la soupape (18) pour observer l'action normale du ressort à ce moment là.
6. Installez le joint du piston (16), lèvres vers le bas. Installez soigneusement le joint torique (17). Étendez la bague et adaptez-la pour l'installer.
7. Le bloc moteur/pompe (31) toujours dans l'étau, installez le joint inférieur (30) en le poussant vers sa rainure à l'aide d'une tige dont la taille est adaptée. Terminez ensuite l'installation avec les doigts. Aucun outil n'est nécessaire. Ne tordez pas le joint.
8. Pré-lubrifiez le piston et la tige de soupape avec un fluide hydraulique (Titan Coolflo, n° de pièce 430-361). Installez la tige du piston (19) dans le bloc moteur/pompe (31) en poussant doucement et en faisant tourner pour que la tige du piston rentre bien dans le joint (30).



Assurez-vous qu'il n'y a pas de bords coupants au bas de la tige du piston (19) qui pourraient endommager le joint du piston pendant l'installation sur le bloc moteur/pompe (31).

9. Remplacez la goupille de la tige de connexion et la bague de retenue.
10. Installez le joint torique (9) sur la paroi du cylindre. Lubrifiez la bague et la paroi intérieure. En maintenant fortement la tige du piston, le cylindre peut être doucement guidé autour du joint du piston au moyen d'un maillet en caoutchouc. Vissez fermement le cylindre dans le bloc moteur/pompe (31).
11. Soulevez la tige du piston (19) en haut et vissez complètement la bague de retenue (28) jusqu'aux filetages supérieurs du cylindre (29).

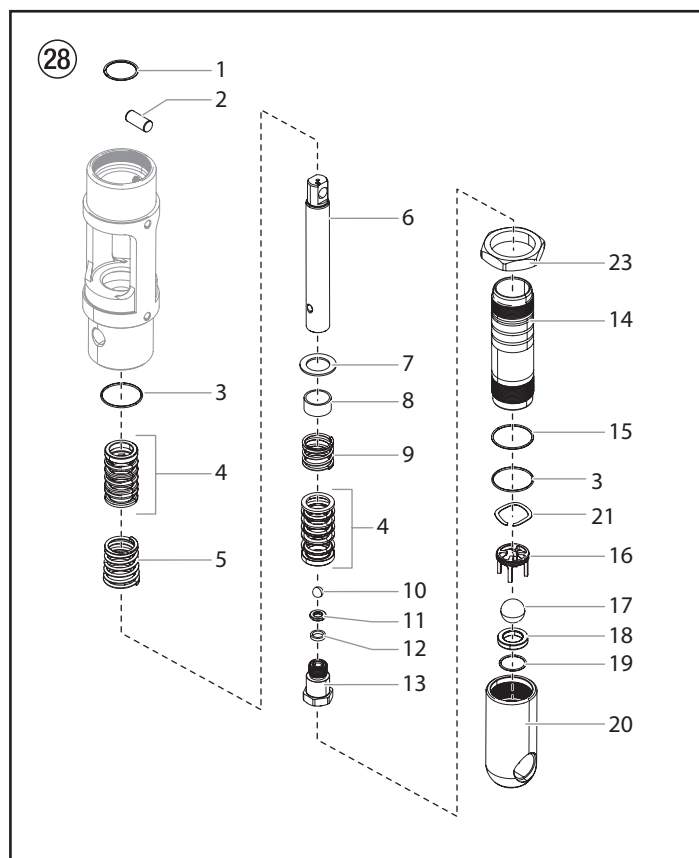
Coupage du moteur hydraulique



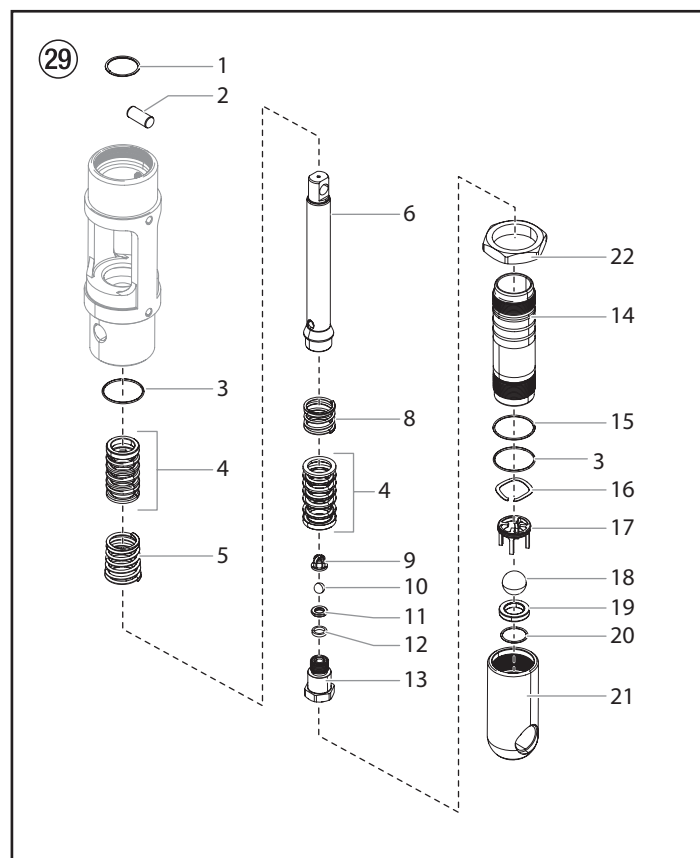
27

2.5 Maintenance de la section des liquides

PL4955



PL6955 / PL8955



Attention

L'utilisation de pièces de rechange autres que celles fournies par Titan peut entraîner l'annulation de la garantie. Demandez des pièces d'origine de Titan pour une meilleure maintenance. Ces pompes doivent être régulièrement entretenues après 1 000 heures d'utilisation environ. Un entretien précoce est nécessaire s'il y a des fuites importantes dans la garniture supérieure ou si la course ascendante ou descendante de la pompe devient trop rapide. L'utilisation du lubrifiant Piston Lube de Titan (n° de pièce 314-480) est conseillée pour lubrifier la garniture supérieure. Ne remplacez pas ce lubrifiant par de l'huile, de l'eau ou un solvant pour lubrifier la garniture supérieure.



Les numéros entre parenthèses font référence aux numéros des pièces sur les illustrations de la section des liquides. Si deux numéros sont indiqués, le premier représente le numéro de la pièce pour le PL4955 et le deuxième représente le numéro de la pièce pour le PL6955 / PL8955.

Démontage de la section des liquides

- 1a. Retirez le tuyau du siphon. Dévissez le logement du clapet de pied (20,21) et le cylindre de la pompe (14) avec une clé à angle.



Si le corps de pompe (14) ne peut pas être enlevé à l'aide d'une clé à courroie, utilisez le contre-écrou (23, 22) pour l'enlever du boîtier de la pompe.

- 1b. Desserrez le contre-écrou (23, 22) sur le corps jusqu'à ce qu'il atteigne le point le plus bas sur le filetage du corps. Placez une clé sur les côtés plats du contre-écrou et tournez la clé dans le sens contraire des aiguilles d'une montre pour desserrer le corps.
2. Faites glisser la bague de retenue (1) vers le haut au moyen d'un petit tournevis puis extrayez la goupille de connexion (2).
3. Enfoncez la tige de déplacement (6) dans la cavité inférieure du bloc moteur/pompe.
4. Retirez le joint torique en PTFE (3), le ressort de garniture supérieure (5) et la garniture supérieure (4) du bloc moteur/pompe.
5. Tenez la tige de déplacement (6) dans un étau par les bords en haut de la tige de déplacement et enlevez le logement de la soupape de sortie (13) avec une clé tout en maintenant la tige de déplacement à l'horizontale avec un support en bois, si cela est nécessaire. Démontez la rondelle d'étanchéité (12), le siège de soupape de sortie (11), la bille de soupape de sortie (10), la cage de soupape de sortie (9, PL6955/PL8955), la garniture inférieure (4), le ressort de garniture inférieure (9,8), le manchon (8, PL4955 uniquement) et la bague de retenue du ressort (7, PL4955 uniquement).
6. A l'aide d'une barre d'extension 1/2" attachée à un cliquet guide 1/2", insérez l'extrémité de la barre d'extension dans l'ouverture carrée de la cage du clapet de pied (16, 17) à l'intérieur du logement du clapet de pied (20, 21). Dévissez et retirez la cage du clapet de pied avec la rondelle ondulée (21, 16) du logement du clapet de pied.
7. Retirez le joint torique en PTFE (3), la bille du clapet de pied (17, 18), le siège du clapet de pied (18, 19) et le joint torique du siège (19, 20) du logement du clapet de pied (20, 21).
8. Retirez le joint torique (15) du cylindre de la pompe (14).

Remontage de la section des liquides



Utilisez du ruban en PTFE sur tous les raccords de tuyaux filetés.

1. Placez un nouveau joint torique du siège (19, 20) dans la rainure en bas du logement du clapet de pied (20, 21).
2. Vérifiez l'usure du siège du clapet de pied (18, 19). Si un côté est usé, retournez le siège du côté qui n'est pas usé. Si les deux côtés sont usés, installez un nouveau siège. Placez le nouveau siège, ou le siège retourné (côté usé vers le bas) dans l'alésage au bas du logement du clapet de pied (20, 21).
3. Placez une nouvelle bille de clapet de pied (17, 18) sur le siège du clapet de pied (18, 19). A l'aide d'une barre d'extension 1/2" attachée à un cliquet guide 1/2", insérez l'extrémité de la barre d'extension dans l'ouverture carrée de la cage du clapet de pied (16, 17) et vissez la cage du clapet de pied à l'intérieur du logement du clapet de pied (20, 21). Serrez la cage à 240 po/lbs (20 pi.-lbs.).
4. Placez la rondelle ondulée (21, 16) en haut de la cage de clapet de pied (16, 17).
5. Insérez un nouveau joint torique en PTFE (3) dans la rainure du logement du clapet de pied (20, 21). Lubrifiez le joint torique avec de l'huile ou de la graisse.
6. Après avoir trempé les garnitures en cuir dans l'huile (huile de lin de préférence), rassemblez la garniture inférieure (4). Placez la garniture inférieure sur le logement de la soupape de sortie (13) avec la pointe des garnitures en « V » vers le bas, en direction de l'hexagonal du logement de la soupape de sortie.



Toutes les garnitures en cuir doivent être trempées dans de l'huile (CoolFlo) pendant 15 à 20 minutes avant d'être installées. Tremper les garnitures trop longtemps causera le gonflement des garnitures. Le remontage sera par conséquent plus difficile.

7. Vérifiez l'usure du siège de la soupape de sortie (11). Si un côté est usé, tournez le siège du côté qui n'est pas usé. Si les deux côtés sont usés, utilisez un nouveau siège. Insérez la cage de soupape de sortie (9, PL6955/PL8955), la bille de la soupape de sortie (10), le siège, qu'il soit nouveau ou retourné (côté usé le plus éloigné de la bille) et une nouvelle rondelle d'étanchéité (12) dans la tige de déplacement (6).
8. Nettoyez les filetages du logement de la soupape de sortie (13) et enduisez les filetages de Loctite bleue n° 242. Assurez-vous qu'il n'y a pas de Loctite ailleurs que sur les filetages.
9. Placez le ressort de garniture inférieure (9, 8) sur le logement de soupape de sortie (13), puis le manchon (8, PL4955 uniquement) et la bague de retenue du ressort (7, PL4955 uniquement).
10. Vissez la tige de déplacement (6) et le logement de la soupape de sortie (13) ensemble. Vissez dans un étau à 50 pi/lbs. (68 Nm).
11. Insérez le joint torique en PTFE (3) dans la rainure supérieure du bloc moteur/pompe.
12. Insérez la garniture supérieure (4) dans le bloc moteur/pompe avec la pointe des garnitures en « V » vers le haut en direction du moteur.



Les garnitures doivent être trempées dans l'huile (CoolFlo) avant d'être installées.

13. Placez le ressort de garniture supérieure (5) dans le bloc moteur/pompe avec la petite extrémité conique vers le haut, en direction du bloc moteur/pompe.
14. Insérez la tige de déplacement (6) par les garnitures supérieures du bloc moteur/pompe.
15. Alignez les trous dans la tige de déplacement (6) et la tige du piston hydraulique puis insérez la goupille de connexion (2). Remplacez la bague de retenue (1) sur la goupille de connexion.

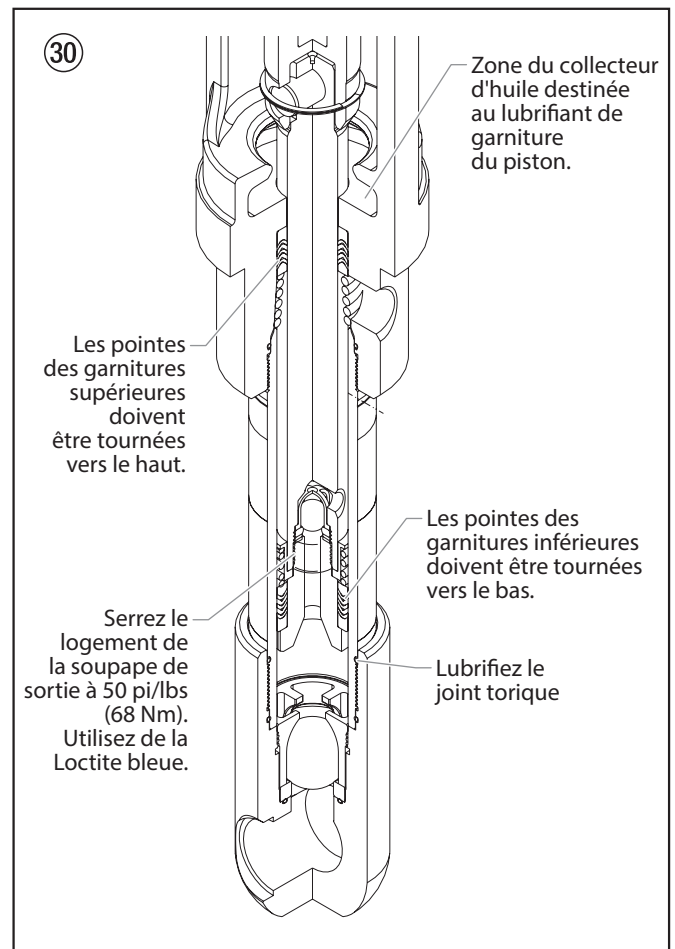
16. Vissez les filetages courts du cylindre de la pompe (14) dans le bloc moteur/pompe et serrez avec une clé à sangle.
17. Placez le joint torique (15) dans la rainure supérieure du cylindre de la pompe (14).
18. Vissez le logement du clapet de pied (20, 21) sur le cylindre de la pompe (14), serrez avec une clé à sangle puis tirez vers l'arrière pour aligner la tuyau du siphon.



Il n'est pas nécessaire de trop visser le logement du clapet de pied. Les joints toriques servent de joints sans serrage excessif. Il suffit d'engager totalement le filetage. Le logement du clapet de pied peut être tourné vers l'arrière d'un demi-tour pour placer le tuyau correctement.

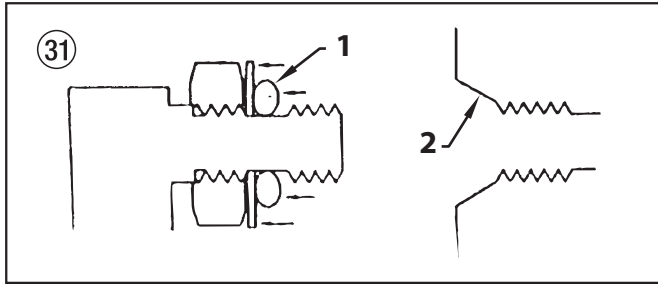
Pour fixer le tuyau du siphon, il est très important que les filetages du tuyau du siphon pénètrent facilement dans le logement du clapet de pied avec les raccords du tuyau en PTFE équipés et recouverts de mastic d'étanchéité pour empêcher toute fuite d'air.

Coupure de la section des liquides

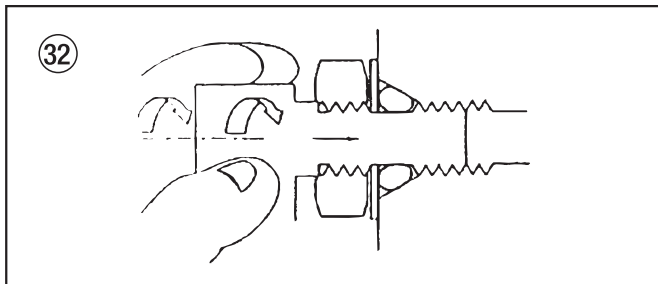


2.6 Installation du raccord SAE du joint torique

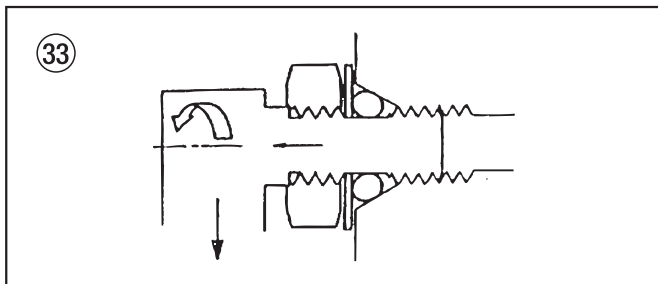
1. Tirer la rondelle et le joint torique vers l'arrière le plus possible.
2. Lubrifiez le joint torique (1) et l'ouverture (2).



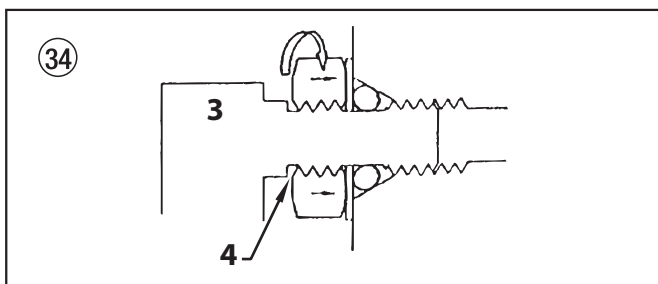
3. Serrez le raccord jusqu'à ce que la rondelle pousse le joint torique dans l'ouverture et que ce dernier soit plat contre l'ouverture. (Ne le serrez pas davantage! - serrez uniquement le raccord à la main afin de comprimer le joint torique dans l'ouverture!)



4. Reculez le raccord d'un tour complet au plus afin de l'aligner, au besoin.



5. Serrez l'écrou au couple en retenant le raccord (3). Cela devrait exposer un espace (4) derrière l'écrou qui peut agir comme indicateur que le raccord est bien fixé. (Il s'agit d'une caractéristique d'un type précis de ce raccord précis uniquement - qui se visse dans la tête du cylindre. Les autres raccords, tels que ceux utilisés sur la pompe hydraulique, s'assemblent de la même manière, mais n'ont pas l'indicateur.)



Attention

Évitez de trop serrer le raccord. Cela peut plier la rondelle qui fera extruder le joint torique.

Évitez de ne pas trop serrer le raccord. Le joint torique pourrait se couper sur le filetage du raccord.

3. Dépannage

3.1 Pistolet sans air

Problème

A. Le pistolet projette par erreur

Cause

1. Présence d'air dans le circuit
2. Pistolet sale
3. Déréglage de l'aiguille
4. Siège de soupape endommagé ou fêlé

Solution

1. Inspectez les raccords pour détecter une éventuelle fuite d'air.
2. Démontez et nettoyez.
3. Inspectez et réglez.
4. Inspectez et remplacez.

B. Le pistolet ne s'arrête pas

1. Aiguille & siège endommagés ou usés
2. Déréglage de l'aiguille
3. Pistolet sale

1. Remplacez.
2. Réglez.
3. Nettoyez.

C. Le pistolet ne pulvérise pas

1. Absence de peinture
2. Filtre ou embout obstrués
3. Aiguille du pistolet endommagée

1. Vérifiez l'alimentation en fluide.
2. Nettoyez.
3. Remplacez.

3.2 Section des liquides

Problème

A. La pompe ne libère du produit que lors de la course ascendante ou monte lentement et descend rapidement (généralement appelé plongée descendante).

Cause

1. La bille du clapet de pied inférieur n'est pas stable à cause des dépôts de déchets ou de l'usure
2. Produit trop visqueux pour être aspiré.
3. Présence d'une fuite d'air dans le siphon ou tuyau du siphon endommagé. Le siphon peut être trop petit pour les produits denses.

Solution

1. Ôtez le clapet de pied. Nettoyez et inspectez. Testez le clapet de pied en le remplissant d'eau ; si la bille tombe pour sceller le siège, remplacez la bille.
2. Dilution du produit – contactez le fabricant pour connaître les procédures de dilution appropriées.
3. Serrez tous les raccords situés entre la pompe et le réservoir de peinture. S'ils sont endommagés, remplacez-les. Passez à un siphon de diamètre plus large.

B. La pompe ne libère du produit que dans sa course descendante ou monte rapidement et descend lentement.

1. La bille supérieure n'est pas stable à cause des dépôts de déchets ou de l'usure
2. La garniture inférieure est usée.

1. Vérifiez le siège supérieur et la bille avec de l'eau. Si la bille ne scelle pas l'ensemble, remplacez le siège.
2. Remplacez l'ensemble des garnitures si elles sont usées.

C. La pompe monte et descend rapidement, en libérant du produit.

1. Le réservoir de produit est vide ou le produit est trop épais pour s'écouler dans le tuyau du siphon.
2. La bille inférieure est collée au siège du clapet de pied.
3. Le tuyau du siphon est tordu ou dévissé.

1. Remplissez de nouveau produit. Si elle est trop épaisse, retirez le tuyau du siphon, immergez la section des liquides dans le produit et amorcez la pompe. Ajoutez du diluant au produit. Installez un siphon plus grand. Ouvrez la soupape de décharge pour évacuer l'air et redémarrez la pompe.
2. Ôtez le clapet de pied. Nettoyez la bille et le siège.
3. Resserrez.

D. La pompe monte et descend lentement lorsque le pistolet vaporisateur est éteint.

1. Les raccords sont dévissés. La soupape de décharge est partiellement ouverte ou usée. Le siège des garnitures inférieures est usé.
2. La bille supérieure et/ou la bille inférieure ne sont pas stables.

1. Vérifiez tous les raccords entre la pompe et le pistolet. Resserrez si nécessaire. Si du produit s'écoule du tuyau de décharge, fermez la soupape de décharge ou remplacez-la le cas échéant. Si aucune de ces solutions ne fonctionne, remplacez la garniture inférieure.
2. Remettez la bille en place en la nettoyant.

E. Le pistolet ne dispose pas d'une pression du liquide suffisante.

1. L'embout pulvérisateur est usé.
2. Le filtre de sortie ou le filtre du pistolet sont obstrués.
3. Tension faible et/ou intensité de courant électrique inappropriée.
4. Taille ou longueur du tuyau trop petite ou trop grande.

1. Remplacez.
2. Nettoyez ou remplacez le filtre.
3. Vérifiez le circuit électrique. Corrigez si besoin est.
4. Augmentez le diamètre du tuyau afin de minimiser la chute de pression le long du tuyau et/ou réduisez la longueur du tuyau.

F. La pompe broute pendant la course ascendante ou descendante.

1. Le solvant a fait gonfler la garniture supérieure.

1. Remplacez les garnitures.

3.3 Moteurs hydrauliques

Problème

Cause

Solution

<p>A. Le moteur à huile cale en bas (pas de problème de surchauffe)</p>	<p>1. Le siège du piston de la pompe des fluides n'est pas fileté.</p> <p>2. La soupape est grippée ou le sélecteur de la tige de déclenchement du moteur à huile est défectueuse.</p>	<p>1. Si la tige de connexion est bonne, retirez la bougie de la tête du cylindre et ôtez la soupape en tirant vers le bas. Remplacez la bougie et démarrez la machine. Si l'appareil effectue une course ascendante et s'arrête de nouveau en bas, alors le problème provient du siège du piston sur la pompe des liquides. Vérifiez le siège du piston. Réparez-le ou remplacez-le si cela s'avère nécessaire. Si le siège du piston est en bon état et que le problème persiste, vérifiez le moteur à huile.</p> <p>2. Retirez la soupape et veillez à détecter les éventuelles fissures et à éviter qu'elle ne fonctionne par à-coups lorsqu'elle glisse vers le haut et vers le bas. Dans ce cas, remplacez la soupape et le tiroir. En pareil cas, vérifiez la tige de déclenchement et le tiroir afin de vérifier qu'ils ne sont pas disjoints. Vérifiez la tige de déclenchement n'est pas disjointe.</p>
<p>B. Le moteur à huile cale en haut (pas de problème de surchauffe)</p>	<p>1. La soupape est grippée.</p> <p>2. Le dispositif de retenue du ressort est cassé (tige de soupape)</p> <p>3. La tige de soupape ou le ressort est endommagé.</p> <p>4. Présence d'air dans le moteur hydraulique.</p> <p>5. Présence d'air dans la pompe des fluides.</p>	<p>1. Retirez la soupape et veillez à détecter les éventuelles fissures et à éviter qu'elle ne fonctionne par à-coups lorsqu'elle glisse vers le haut et le bas. Dans ce cas, remplacez la soupape et le tiroir.</p> <p>2. Remplacez la tige de soupape.</p> <p>3. Remplacez la tige de soupape.</p> <p>4. Réglez de nouveau la soupape. Purgez l'air, généralement en effectuant un cycle à basse pression du moteur et de la pompe pendant 5-10 minutes. Vérifiez l'origine de l'infiltration d'air.</p> <ul style="list-style-type: none"> • Les raccords du réservoir sont desserrés. • Les raccords de la pompe hydraulique sont desserrés. • Les raccords du tuyau sont desserrés. • Insuffisance d'huile dans le réservoir. <p>5. Le moteur peut caler en haut lorsque la pompe aspire de l'air. Réinitialisez la soupape. Evitez toute infiltration d'air dans la pompe des fluides.</p>
<p>C. Faible pression (adéquate sur course descendante, lente sur course ascendante – forte chaleur).</p> <p>NOTA: Le moteur peine en course ascendante et cale en course descendante.</p>	<p>1. Le joint d'étanchéité du piston est endommagé.</p> <p>2. Le piston est fêlé.</p>	<p>1. Avant de démonter le moteur à huile, mettez la machine en route. Effectuez un cycle de pompage sous pression, touchez le cylindre hydraulique et la tête du cylindre pour voir s'ils se réchauffent. Cela vous permettra de déterminer si le joint du piston a fondu ou si l'écrou du piston est endommagé. Si la tête est chaude, vérifiez les joints toriques de la soupape à tiroir.</p> <p>2. Démontez le moteur à huile et vérifiez l'alésage du cylindre, les joints du piston et l'écrou du piston. Faites particulièrement attention à l'écrou du piston. Il peut présenter une fissure interne sans que rien n'y paraisse.</p>
<p>D. Faible pression (pour les deux courses – forte chaleur)</p> <p>NOTA: Le moteur peine sur les deux courses.</p>	<p>1. Les joints toriques centraux de la soupape à tiroir sont endommagés.</p> <p>2. La pompe hydraulique est défaillante.</p>	<p>1. Avant de démonter le moteur à huile, mettez la machine en route. Effectuez un cycle de pompage sous pression, touchez la tête pour voir si elle se réchauffe. Cela vous permettra de déterminer si le joint torique central de la soupape à tiroir a fondu. S'il est chaud, retirez et remplacez le joint torique.</p> <p>2. Remplacez la pompe hydraulique.</p>

3.4 Répartition de la pulvérisation

Problème

A. Trainées



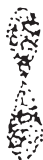
Cause

1. Sortie de liquide incorrecte

Solution

1. Le liquide ne s'atomise pas correctement
Augmentez la pression du liquide. Changez pour un embout au diamètre plus petit. Réduisez la viscosité du liquide. Réduisez la longueur du tuyau. Nettoyez le pistolet et le(s) filtre(s). Réduisez le nombre de pistolets utilisant la pompe.

B. Sablier



1. Sortie de liquide incorrecte

1. Cf. ci-avant.

C. Déformation



1. L'embout de la buse est obstrué ou usé

1. Nettoyez ou remplacez l'embout.

D. Pulvérisation qui s'étend et se rétracte (surtension)



1. Fuite d'aspiration
2. Sortie de liquide par à-coups

1. Détectez toute fuite éventuelle du tuyau d'aspiration.
2. Changez pour un embout au diamètre plus petit. Installez un amortisseur de pulsations dans le circuit ou purgez l'appareil. Réduisez le nombre de pistolets utilisant la pompe. Débloquez le circuit, nettoyez le filtre de l'embout si le filtre est utilisé.

E. Pulvérisation arrondie



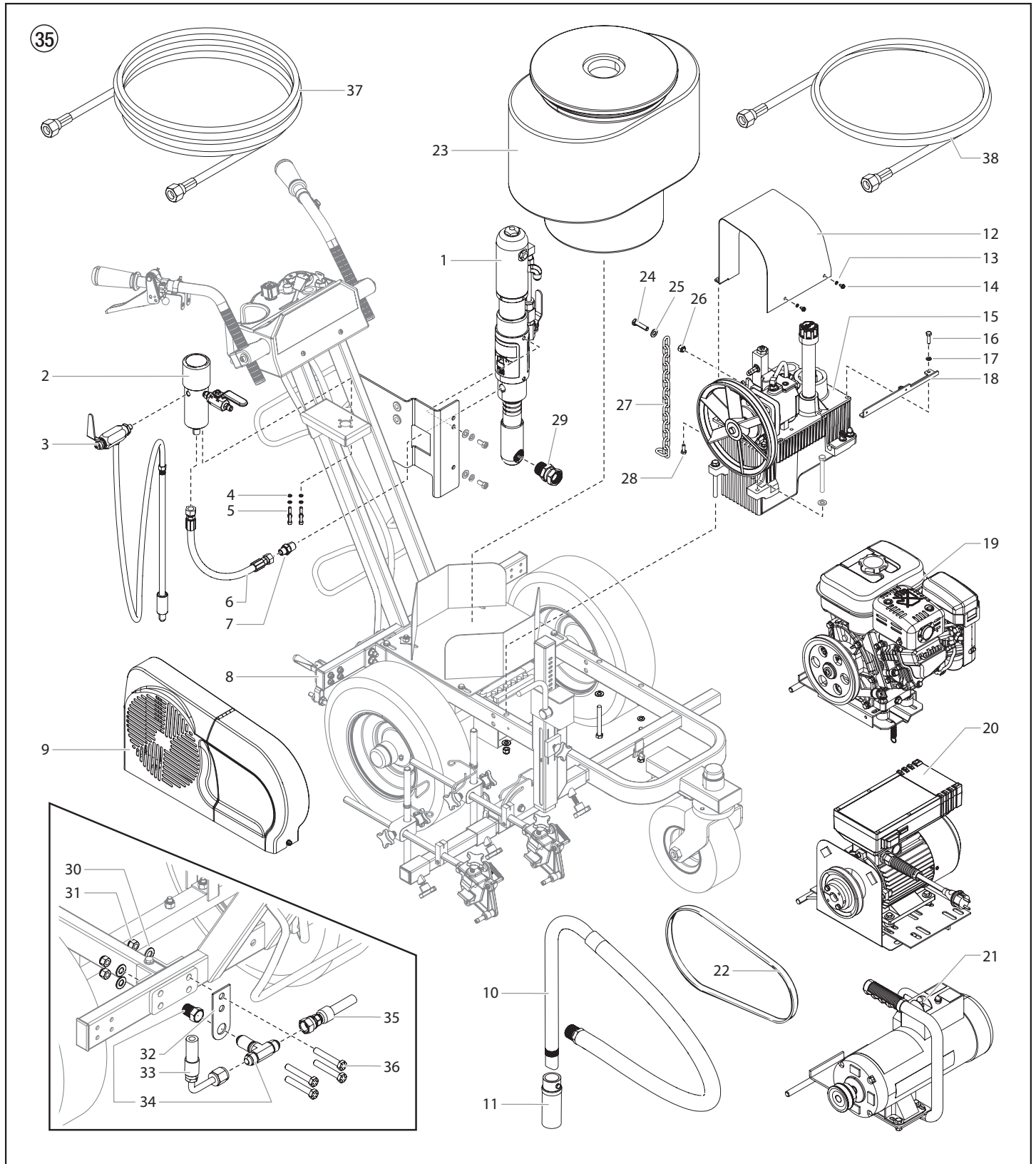
1. Embout usé
2. Liquide trop dense pour l'embout

1. Remplacez l'embout.
2. Augmentez la pression. Diluez le produit. Changez l'embout de la buse.

GB Main Assembly

D Hauptbaugruppe

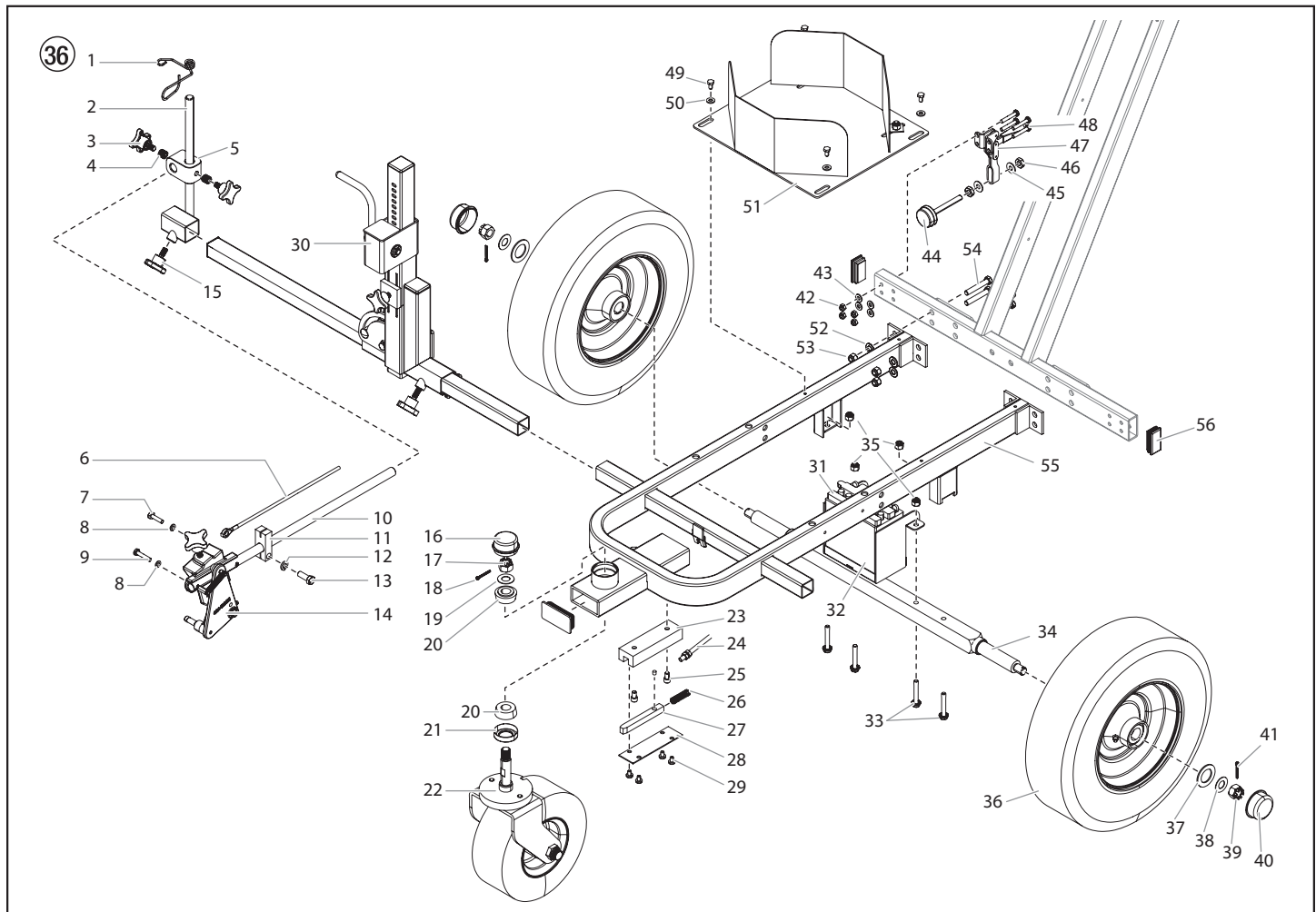
F Ensemble principal



Pos.	PL4955	PL6955	PL8955	GB Description	D Benennung	F Description
1	235-117A	235-118A	236-154A	Motor / pump assembly	Motoren-/Pumpenbaugruppe	Bloc moteur/pompe
2*	0290113A	0290113A	0290113A	Filter assembly	Filterbaugruppe	Ensemble de filtre
3*	-----	-----	-----	Bleed hose assembly with valve	Baugruppe der Ablassleitung mit Ventil	Conduite de décharge avec soupape
4	755-215	755-215	755-215	Washer (4)	Scheibe (4)	Rondelle (4)
5	858-634	858-634	858-634	Screw (4)	Schraube (4)	Vis (4)
6	290340	290340	290340	Hose	Schlauch	Tuyau
7	813-555	813-555	813-555	Fitting	Anschluss	Raccord
8*	-----	-----	-----	Cart assembly	Wagenbaugruppe	Ensemble de chariot
9*	0290629A	0290629A	0290629A	Belt guard assembly	Keilriemenbaugruppe	Protège-courroie
10*	0533237A	0533237A	0533237A	Siphon hose assembly	Syphonschlauch-baugruppe	Tuyau du siphon
11	0509762A	0509762A	0509762A	Filter screen	Enlassieb	Grille d'entrée d'air
12	0290992A	0290992A	0290992A	Hydraulic cover	Tankabdeckung	Couvercle
13	770-879	770-879	770-879	Lock washer (2)	Federscheibe (2)	Rondelle d'arrêt (2)
14	862-501	862-501	862-501	Screw (2)	Schraube (2)	Vis (2)
15*	-----	-----	-----	Hydraulic system	Hydrauliksystem	Système hydraulique
16	858-636	858-636	858-636	Bracket screw (2)	Klammerschraube (2)	Vis du support (2)
17	858-002	858-002	858-002	Lock washer (2)	Federscheibe (2)	Rondelle d'arrêt (2)
18	528235	528235	528235	Bracket	Befestigungswinkel	Equerre de fixation
19*	0537263A	-----	-----	Convertokit, 3.5 Hp, Honda, gasoline	Convertokit, 3,5 PS, Honda, Benzin	Convertokit, 3,5 HP, Honda, essence
	-----	-----	-----	Convertokit, 4.8 Hp, Honda, gasoline (electric start)	Convertokit, 4,8 PS, Honda, Benzin (Elektroanlasser)	Convertokit, 4,8 HP, Honda, essence (démarrage électrique)
	-----	-----	0537265A	Convertokit, 5.5 Hp, Honda, gasoline (electric start)	Convertokit, 5,5 PS, Honda, Benzin (Elektroanlasser)	Convertokit, 5,5 HP, Honda, essence (démarrage électrique)
20**	0290117A	-----	-----	Convertokit, DC electric, 230V	Convertokit, Elektromotor, 230V	Convertokit, moteur électrique, 230V
21**	0290115A	-----	-----	Convertokit, DC electric, 120V	Convertokit, Elektromotor, 120V	Convertokit, moteur électrique, 120V
22	449-181	-----	-----	Belt, "V", Convertokit, DC electric, 120V	Keilriemen, "V", Convertokit, Elektromotor 120V	Courroie, "V", moteur électrique, 120V
	290799	-----	-----	Belt, "V", Convertokit, DC electric, 230V	Keilriemen, "V", Convertokit, Elektromotor 230V	Courroie, "V", moteur électrique, 230V
	449-181	290536	290536	Belt, "V", gas Convertokit	Keilriemen, "V", Convertokit, Benzinmotor	Courroie, "V", moteur essence
23	759-130	759-130	759-130	12 gallon hopper assembly	12 Gallonen Füllschacht für Farbe	Trémie de peinture 45 litres
24	862-444	862-444	862-444	Screw	Schraube	Vis
25	9820305	9820305	9820305	Washer (2)	Scheibe	Rondelle
26	862-410	862-410	862-410	Nut	Mutter	Écrou
27	537919	537919	537919	Grounding chain	Kette	Chaîne
28	9800312	9800312	9800312	Screw	Schraube	Vis
29	9885659	200-556	200-556	Swivel	Drehlager	Émerillon
30	509285	509285	509285	Washer (4)	Scheibe (4)	Rondelle (4)
31	862-410	862-410	862-410	Nut (4)	Mutter (4)	Écrou (4)
32	290329	290329	290329	Plate	Platte	Plaque
33	290338	290338	290338	Hydraulic hose	Hydraulischer Schlauch	Tuyau hydraulique
34	9885656	9885656	9885656	T-fitting	T-Stück	Raccord en T
35	290333	290333	290333	Hydraulic hose	Hydraulischer Schlauch	Tuyau hydraulique
36	862-472	862-472	862-472	Screw (4)	Schraube (4)	Vis (4)
37	316-505	316-505	316-505	Spray hose, 50'	Spritzschlauch, 15 m	Tuyau de pulvérisation, 15 m
38	316-533	316-533	316-533	Spray hose, 6'	Spritzschlauch, 2 m	Tuyau de pulvérisation, 2 m

* See separate listing / Siehe separate Auflistung / voir la liste de pièces distincte

** Optional / Optional / Facultatif

GB Cart Assembly I**D** Wagenbaugruppe I**F** Ensemble de chariot I

Pos.	PL4955	PL6955	PL8955	Description	Benennung	Description
1*	424-288	424-288	424-288	Cable guide	Kabelführung	Guide du câble
2*	290894	290894	290894	Gun riser weldment	Seitenrohrschweissteil	Ensemble soudé du tube glissant
3*	290349	290349	290349	Clamping knob (2)	Klemmungsknopf (2)	Bouton de serrage (2)
4*	290350	290350	290350	Spring (2)	Feder (2)	Ressort (2)
5*	290899	290899	290899	Clamp body	Klemmenbaugruppe	Collier
6*	290342	290342	290342	Gun cable	Spritzpistolenkabel	Câble du pistolet
7*	858-636	858-636	858-636	Screw	Schraube	Vis
8*	858-002	858-002	858-002	Lock washer (2)	Federscheibe (2)	Rondelle de blocage (2)
9*	9805456	9805456	9805456	Screw	Schraube	Vis
10*	290327	290327	290327	Support arm	Stützarm	Bras de support
11*	759-414	759-414	759-414	Cable mounting clamp	Kabelmontageklammer	Collier de fixation du câble
12*	509292	509292	509292	Lock washer	Federscheibe	Rondelle de blocage
13*	862-436	862-436	862-436	Screw	Schraube	Vis
14*	290381	090381	290381	Gun holder assembly**	Baugruppe Pistolenhalter**	Ensemble de support à pistolet **
15*	759-306	759-306	759-306	Clamping knob	Klemmungsknopf	Bouton de serrage

Pos.	PL4955	PL6955	PL8955	Description	Benennung	Description
16	779-086	779-086	779-086	Dust cap	Staubdeckel	Protection contre les poussières
17	756-078	756-078	756-078	Castle nut	Kronenmutter	Écrou à créneaux
18	756-079	756-079	756-079	Cotter pin	Spint	Clavette
19	756-080	756-080	756-080	Spring washer	Federscheibe	Rondelle de ressort
20	779-068	779-068	779-068	Taper bearing (2)	Kegellager (2)	Roulement conique (2)
21	779-085	779-085	779-085	Taper bearing seal	Kegellagerabdichtung	Joint du roulement conique
22	779-013A	779-013A	779-013A	Wheel assembly	Sprüherbaugruppe	Assemblage de la roulette
23	290897	290897	290897	Guide block	Böckchen	Dispositif de guidage
24	290343	290343	290343	Wheel lock cable	Feststellbremskabel	Câble de blocage de roue
25	9805455	9805455	9805455	Socket screw (2)	Inbusschraube (2)	Vis creuse (2)
26	756-087	756-087	756-087	Lock spring	Feststellfeder	Ressort de blocage
27	290898	290898	290898	Caster lock pin	Sprüher Arretierbolzen	Goupille d'arrêt de la roulette
28	290896	290896	290896	Block cover	Verschlusskappe	Couvercle de blocage
29	509219	509219	509219	Screw (4)	Schraube (4)	Vis (4)
30**	290382	290382	290382	Lift / tilt assembly	Baugruppe Hebe-/Kippvorrichtung	Ensemble servant à lever ou incliner
31	-----	434-641	434-641	Battery, 12 Volt	Batterie, 12 Volt	Pile, 12 Volts
32	-----	290488	290488	Battery bracket	Batteriehalterung	Support à pile
33	761-178 (2)	761-178 (4)	761-178 (4)	Hex screw	Sechskantschraube	Vis hexagonale
34	0290489A	0290489A	0290489A	Axle	Achse	Essieu
35	763-549 (2)	763-549 (4)	763-549 (4)	Lock nut	Stellmutter	Écrou de blocage
36	757-050-S	757-050-S	757-050-S	Rear wheel (2)	Hinterradl (2)	Roue arrière (2)
37	176-919	176-919	176-919	Washer (2)	Scheibe (2)	Rondelle (2)
38	756-080	756-080	756-080	Spring washer (2)	Federscheibe (2)	Rondelle de ressort (2)
39	756-078	756-078	756-078	Castle nut (2)	Kronenmutter (2)	Écrou à créneaux (2)
40	779-086	779-086	779-086	Dust cap (2)	Staubdeckel (2)	Protection contre les poussières (2)
41	756-079	756-079	756-079	Cotter pin (2)	Spint (2)	Clavette (2)
42	770-144	770-144	770-144	Lock nut (4)	Stellmutter (4)	Écrou de blocage (4)
43	770-601	770-601	770-601	Flat washer (4)	Flache Unterlegscheibe (4)	Rondelle plate (4)
44	424-269	424-269	424-269	Brake pad	Bremsklotz	Plaquette de frein
45	860-004	860-004	860-004	Flat washer (2)	Flache Unterlegscheibe (2)	Rondelle plate (2)
46	862-401	862-401	862-401	Nut (2)	Mutter (2)	Écrou (2)
47	290684	290684	290684	Brake clamp	Bremsenklemme	Collier du frein
48	858-652	858-652	858-652	Screw (4)	Schraube (4)	Vis (4)
49	0509219	0509219	0509219	Screw (4)	Schraube (4)	Vis (4)
50	770-223	770-223	770-223	Washer (4)	Scheibe (4)	Rondelle (2)
51	0290697A	0290697A	0290697A	Bucket holder	Eimerhalter	Porte-godet
52	509285	509285	509285	Flat washer (4)	Flache Unterlegscheibe (4)	Rondelle plate (4)
53	862-410	862-410	862-410	Lock nut (4)	Stellmutter (4)	Écrou de blocage (4)
54	862-472	862-472	862-472	Screw (4)	Schraube (4)	Vis (4)
55	0290109A	0290109A	0290109A	Frame	Rahmen	Châssis
56	779-121	779-121	779-121	Plastic plug (2)	Plastikstöpsel (2)	Fiche en plastique (2)
Not shown • Nicht gezeigt • Non représentée						
	290775 (1)	290775 (3)	290775 (3)	Velcro strap	Klettband	Courroie Velcro

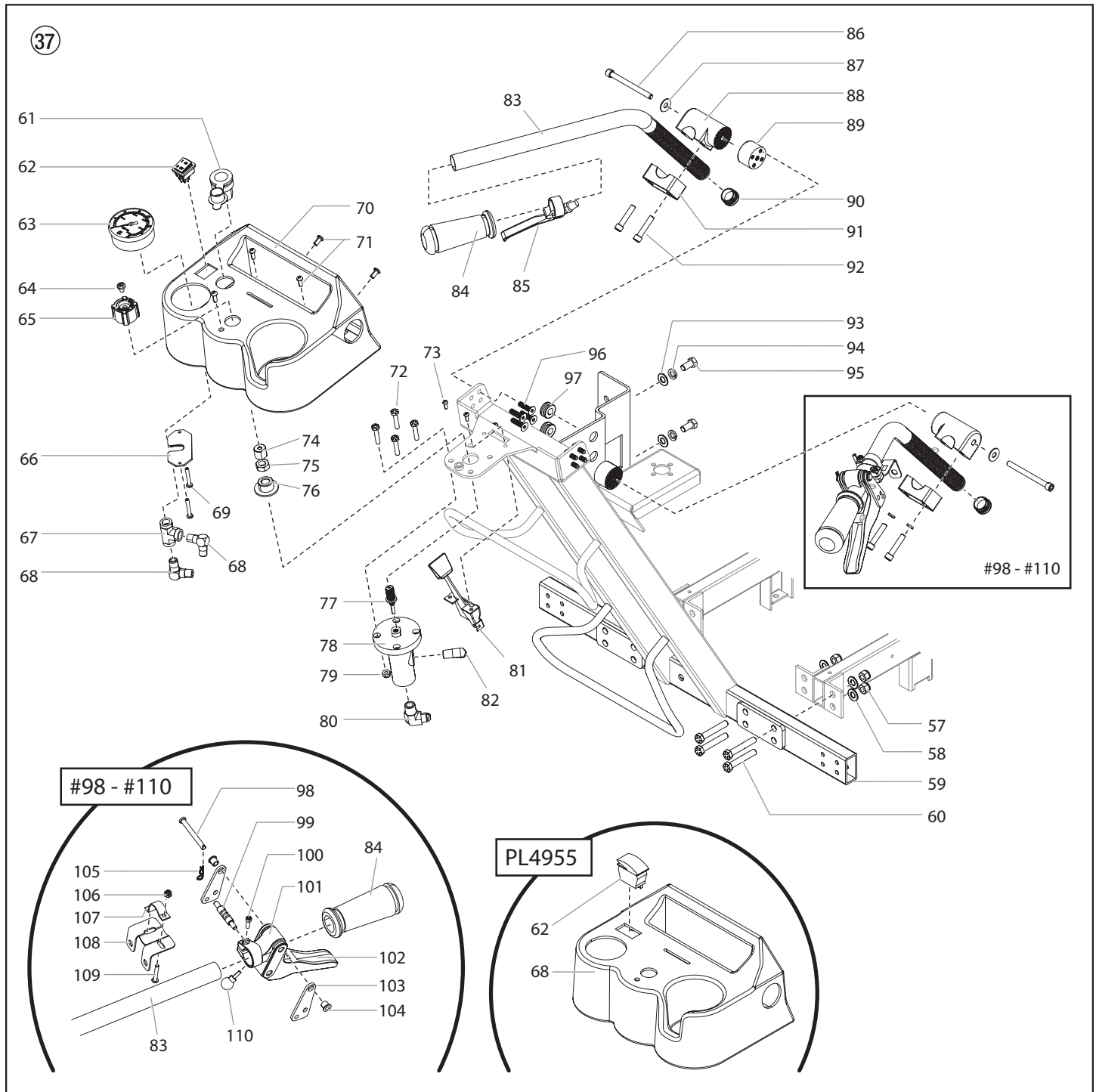
* All item quantities should be multiplied by 2 (2nd gun holder assembly not shown) / Die Menge aller Posten muss mit 2 multipliziert werden (2. Baugruppe Pistolenhalter nicht dargestellt) / Toutes les quantités d'articles devraient être multipliées par 2 (ensemble de support du deuxième pistolet non illustré)

** See separate listing / Siehe separate Auflistung / voir la liste de pièces distincte

GB Cart Assembly II

D Wagenbaugruppe II

F Ensemble de chariot II



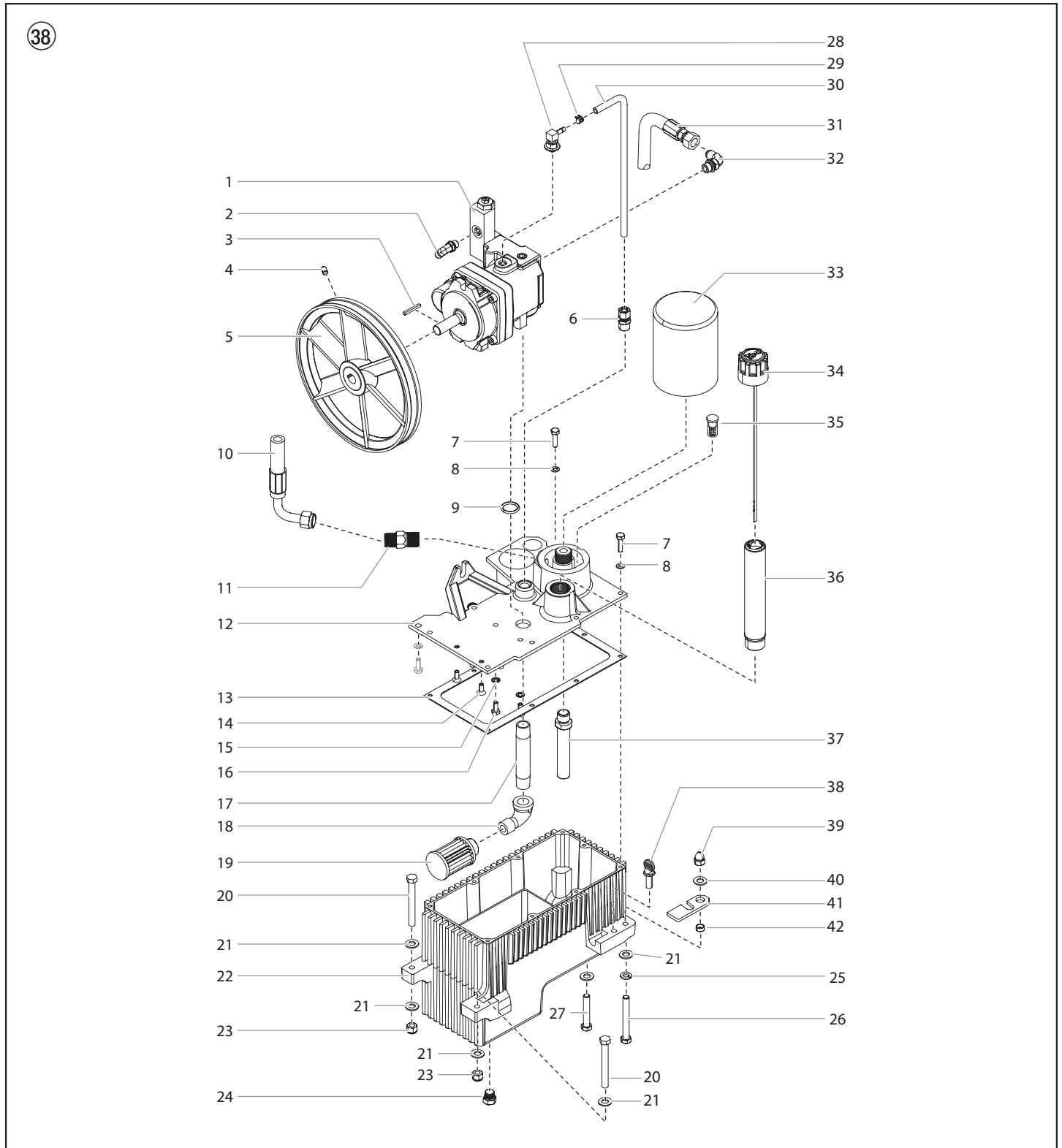
Pos.	PL4955	PL6955	PL8955	Description	Benennung	Description
57	862-410	862-410	862-410	Lock nut (4)	Stellmutter (4)	Écrou de blocage (4)
58	509285	509285	509285	Washer, flat (4)	Flache Unterlegscheibe (4)	Rondelle plate (4)
59	0290110A	0290110A	0290110A	Handle assembly	Lenkstangenbaugruppe	Assemblage de la poignée
60	862-472	862-472	862-472	Screw (4)	Schraube (4)	Vis (4)
61	-----	290347	290347	12 volt socket	12-Volt-Steckdose	Support de 12 Volts

Pos.	PL4955	PL6955	PL8955	Description	Benennung	Description
62	779-090	-----	-----	Kill switch	Abwürgeschalter	Disjoncteur
	-----	9850936	9850936	ON/OFF switch	Stromschalter	Interrupteur
63	2405544	2405544	2405544	Pressure gauge	Manometer	Manométré
64	509219	509219	509219	Screw	Schraube	Vis
65	700-771	700-771	700-771	Pressure control knob	Druckregulierknopf	Bouton de réglage de pression
66	290994	290994	290994	Plate	Platte	Plaque
67	88163	88163	88163	T-fitting	T-Stück	Raccord en T
68	12440	12440	12440	Elbow, 90° (2)	Winkel, 90° (2)	Coude, 90° (2)
69	9805458	9805458	9805458	Screw (3)	Schraube (3)	Vis (3)
70	0290694A	0528707A	0528707A	Dashboard	Instrumententafel	Tableau de bord
71	9805459	9805459	9805459	Screw (5)	Schraube (5)	Vis (5)
72	858-644	858-644	858-644	Screw (4)	Schraube (4)	Vis (4)
73	700-139	700-139	700-139	Screw (2)	Schraube (2)	Vis (2)
74	290346	290346	290346	Compensator adapter	Kompensatoradapter	Adaptateur du compensateur
75	9812336	9812336	9812336	Jam nut	Sechskantmutter	Contre-écrou
76	290344	290344	290344	Adapter	Adapter	Adaptateur
77	290345	290345	290345	Compensator stem	Kompensatorschaft	Tige du compensateur
78	290367	290348	290348	Remote relief valve	Ferngesteuertes Entlastungsventil	Soupape de retour à distance
79	770-144	770-144	770-144	Lock nut (4)	Stellmutter (4)	Écrou de blocage (4)
80	9885660	9885660	9885660	Elbow, 90°	Winkel, 90°	Coude, 90°
81	290341A	290341A	290341A	Throttle control cable	Drosselregelung	Commande de puissance
82	9885655	9885655	9885655	Elbow, 90°	Winkel, 90°	Coude, 90°
83	290990	290990	290990	Handle (2)	Lenkstange (2)	Barre de poignée (2)
84	424-245	424-245	424-245	Grip (2)	Griff (2)	Poignée (2)
85	759-215	759-215	759-215	Trigger lever	Triggerhebel	Levier de la détente
86	9805454	9805454	9805454	Screw	Schraube	Vis
87	860-004	860-004	860-004	Washer, flat (2)	Flache Unterlegscheibe (2)	Rondelle plate (2)
88	290988	290988	290988	Inner cog (2)	Innenzahn (2)	Pignon interne (2)
89	290989	290989	290989	Outer cog (2)	Außenzahn (2)	Pignon externe (2)
90	9885546	9885546	9885546	End cap (2)	Endkappe (2)	Obturbateur d'extrémité (2)
91	290987	290987	290987	Clamp (2)	Klammer (2)	Bride (2)
92	9805453	9805453	9805453	Screw (4)	Schraube (4)	Vis (4)
93	509285	509285	509285	Washer, flat (2)	Flache Unterlegscheibe (2)	Rondelle plate (2)
94	509292	509292	509292	Lock washer (2)	Federscheibe (2)	Rondelle de blocage (2)
95	862-428	862-428	862-428	Hex screw (2)	Sechskantschraube (2)	Vis hexagonale (2)
96	2440786	2440786	2440786	Flat head screw (8)	Schraube (8)	Vis (8)
97	800-036	800-036	800-036	Grommet (2)	Gummidichtung (2)	Passe-fil (2)
98	759-015	759-015	759-015	Clevis pin	Gabelkopfbolzen	Axe de chape
99	424-227	424-227	424-227	Selector spool	Selectorspule	Tiroir du sélecteur
100	944-047	944-047	944-047	Screw (2)	Schraube (2)	Vis (2)
101	290985	290985	290985	Mounting block	Montageblock	Bloc de montage
102	424-203	424-203	424-203	Trigger	Trigger	Détente
103	424-217	424-217	424-217	Lever plate (2)	Hebelplatte (2)	Plaque du levier
104	424-218	424-218	424-218	Flange bearing (2)	Flanschlager (2)	Palier applique (2)
105	759-034	759-034	759-034	Cotter pin	Spint	Clavette
106	226-001	226-001	226-001	Lock nut	Stellmutter	Écrou de blocage
107	759-035	759-035	759-035	Strap	Band	Courroie
108	290986	290986	290986	Cable guide plate	Kabelführungsplatte	Plaque de guidage du câble
109	757-092	757-092	757-092	Screw	Schraube	Vis
110	759-033	759-033	759-033	Clamp knob	Klemmknopf	Bouton de serrage
	290383	290383	290383	Handlebar clamp kit (includes items 86-89 and 91-92)	Lenkerhalterung Kit (beinhaltet Pos. 86-89 und 91-92)	Trousse de la bride de la poignée (inclut les articles 86 à 89 et 91 à 92)

GB Hydraulic System

D Hydrauliksystem

F Système hydraulique



Pos.	PL4955	PL6955	PL8955	GB Description	D Benennung	F Description
1	290689	290689	290689	Hydraulic pump	Hydraulikölpumpe	Pompe hydraulique
2	9885657	9885657	9885657	Elbow (to hose 290380)	Winkel (zum hydraulischen Schlauch 290380)	Coude (au tuyau hydraulique 290380)
3	-----	-----	-----	Key, pump	Passfeder	Clavette
4	860-520	860-520	860-520	Set screw	Sicherungsschraube	Vis de blocage
5	449-195A	449-195A	449-195A	Pulley/fan assembly	Riemenscheibe	Poulie
6	431-042	431-042	431-042	Tube connector	Rohranschluss	Connecteur de tube
7	858-636	858-636	858-636	Screw (8)	Schraube (8)	Vis (8)
8	858-002	858-002	858-002	Lock washer (10)	Federscheibe (10)	Rondelle d'arrêt (10)
9	325-031	325-031	325-031	O-ring	O-ring	Joint torique
10	290336	290336	290336	Return hose assembly	Rücklaufschlauch	Tuyau de retour
11	451-029	451-029	451-029	Fitting	Anschluss	Raccord
12	290770	290770	290770	Tank cover	Öltankdeckel	Couvercle du réservoir d'huile
13	449-605	449-605	449-605	Tank gasket	Dichtung	Joint
14	858-621	858-621	858-621	Socket screw (2)	Senkschraube (2)	Vis à tête fraisée (2)
15	859-001	859-001	859-001	Washer (2)	Scheibe (2)	Rondelle (2)
16	858-624	858-624	858-624	Screw (2)	Schraube (2)	Vis (2)
17	528171	528171	528171	Nipple	Doppelnippel	Raccord double
18	472-500	472-500	472-500	Elbow, street	Winkel	Coude
19	448-208	448-208	448-208	Inlet screen	Filter	Filtre
20	862-496	862-496	862-496	Hexagonal bolt (2)	Sechskantschraube (2)	Vis hexagonale (2)
21	509285	509285	509285	Flat washer (6)	Scheibe (6)	Rondelle (6)
22	449-718A	449-718A	449-718A	Hydraulic tank	Hydrauliköltank	Réservoir d'huile hydraulique
23	862-410	862-410	862-410	Locknut (2)	Stellmutter (2)	Écrou d'arrêt (2)
24	449-212	449-212	449-212	Plug	Verschlusschraube	Vis bouchon
25	509292	509292	509292	Lock washer (4)	Federscheibe (4)	Rondelle d'arrêt (4)
26	862-493	862-493	862-493	Hexagonal bolt	Sechskantschraube	Vis hexagonale
27	862-480	862-480	862-480	Hexagonal bolt	Sechskantschraube	Vis hexagonale
28	192-228	192-228	192-228	Elbow	Winkel	Coude
29	449-126	449-126	449-126	Hose clamp	Schlauchklemme	Collier
30	420-251	420-251	420-251	Tubing, PTFE	Rohr	Tube
31	537620	537620	537620	Pressure hose assembly	Druckschlauch	Tuyau de pression
32	192-051	192-051	192-051	Elbow	Winkel	Coude
33	451-220	451-220	451-220	Hydraulic filter	Filter	Filtre
34	449-626	449-626	449-626	Hydraulic fluid dipstick	Ölmesstab	Jauge de niveau
35	449-609A	449-609A	449-609A	Hydraulic by-pass	Bypassventil	By-pass
36	449-614	449-614	449-614	Tube assembly	Einfüllstutzen	Raccord de remplissage
37	0528164A	0528164A	0528164A	Tube	Rohr	Tube
38	862-438	862-438	862-438	Thumb screw	Flügelschraube	Vis à ailes
39	862-402	862-402	862-402	Acorn nut	Hutmutter	Écrou borgne
40	509285	509285	509285	Washer	Scheibe	Rondelle
41	449-107	449-107	449-107	Mounting plate retainer	Riegel	Verrou
42	449-135	449-135	449-135	Spacer	Distanzscheibe	Bague d'espacement

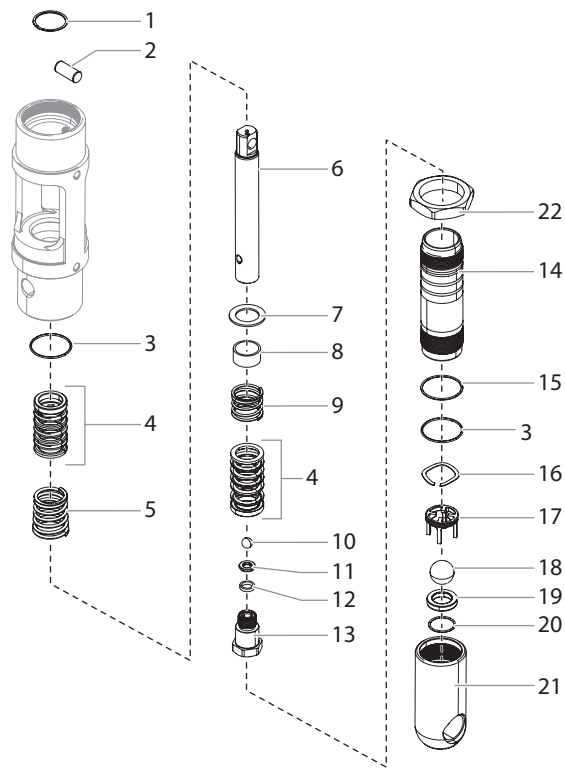
Pos.	PL4955	PL6955	PL8955	GB Description	D Benennung	F Description
1	235-030	235-030	235-030	Cylinder head plug	Zylinderkopfstöpsel	Fiche de la tête du cylindre
2	441-217	441-217	441-217	O-ring	O-ring	Joint torique
3	858-811	858-811	858-811	Flex lock nut	Flexible Stellmutter	Écrou de blocage souple
4	235-018	235-018	235-018	Trip retainer (2)	Bedienungsarretierung (2)	Dispositif de retenue du déclenchement (2)
5	141-007	141-007	141-007	O-ring (2)	O-ring (2)	Joint torique (2)
6	325-005	325-005	325-005	Trip spring (2)	Bedienungsfeder (2)	Ressort de déclenchement (2)
7	569-016	569-016	569-016	Ball, SS (2)	Kugel, SS (2)	Bille, SS
8	235-112FZ	235-112FZ	235-112FZ	Cylinder head	Zylinderkopf	Tête du cylindre
9	431-032	431-032	431-032	O-ring (2)	O-ring (2)	Joint torique (2)
10	441-908A	441-908A	441-908A	Spool / sleeve set	Spule / Abziehhülensatz	Ensemble tiroir/manchon
11	441-152	441-152	441-152	O-ring (3)	O-ring (3)	Joint torique (3)
12	431-053	431-053	431-053	Sleeve retainer	Abziehhülensarretierung	Dispositif de retenue du manchon
13	431-054	431-054	431-054	Retainer ring	Haltering	Bague de retenue
14	235-022	235-022	235-022	Piston retainer screw	Kolbenarretierschraube	Vis de retenue du piston
15	235-014	235-014	235-014	Piston	Kolben	Piston
16	235-027	235-027	235-027	Piston seal	Kolbendichtung	Joint du piston
17	235-026	235-026	235-026	O-ring	O-ring	Joint torique
18	235-021A	235-021A	236-021A	Valve rod assembly	Ventilstangenbaugruppe	Tige de soupape
19	235-948	235-948	236-948	Piston rod	Kolbenstange	Tige du piston
20	451-121	451-121	451-121	Elbow, 90°	Winkel, 90°	Coude, 90°
21	700-499	700-499	700-499	O-ring (2)	O-ring (2)	Joint torique (2)
22	192-051	192-051	192-051	Elbow (includes item 21)	Winkel (beinhaltet Teile 21)	Coude (inclut le élément 21)
23	537563	537563	537531	Motor tube	Motorenrohr	Tube moteur
24	537564	537564	537564	Tee (includes item 21)	T-Stück (beinhaltet Teile 21)	Raccord en T (inclut le élément 21)
25	537565	537565	537565	Fitting	Anschluss	Raccord
26	941-555	941-555	941-555	Ball valve	Kugelhahn	Vanne à bille
27	235-001	235-001	235-001	Lock ring	Seegerring	Bague de retenue
28	235-007	235-007	236-007	Cylinder	Zylinder	Cylindre
29	235-028	235-028	235-028	Rod seal	Stangendichtung	Joint de tige
30	235-123	235-129	236-829	Motor/pump block	Motor/Pumpenblock	Bloc moteur/pompe
31	290338	290338	290337	Return hose assembly	Rücklaufschlauch	Tuyau de retour
	235-050	235-050	235-050	Motor service kit, minor (includes items 2, 3, 5-7, 9, 11, 16, 17, and 29)	Motorenservicesatz — klein (beinhaltet Teile 2-3, 5-7, 9, 11, 16, 17, und 29)	Kit d'entretien du moteur — mineur (inclut les éléments 2 à 3, 5 à 7, 9, 11, 16 à 17, et 29)
	537928	537928	537926	Motor tube kit (includes items 21-25)	Motorrohr-Kit (beinhaltet Teile 21-25)	Kit tube à moteur (inclut les éléments 21 à 25)

GB Fluid Section

D Flüssigkeitsbereich

F Section des liquides

PL4955 - 107-005



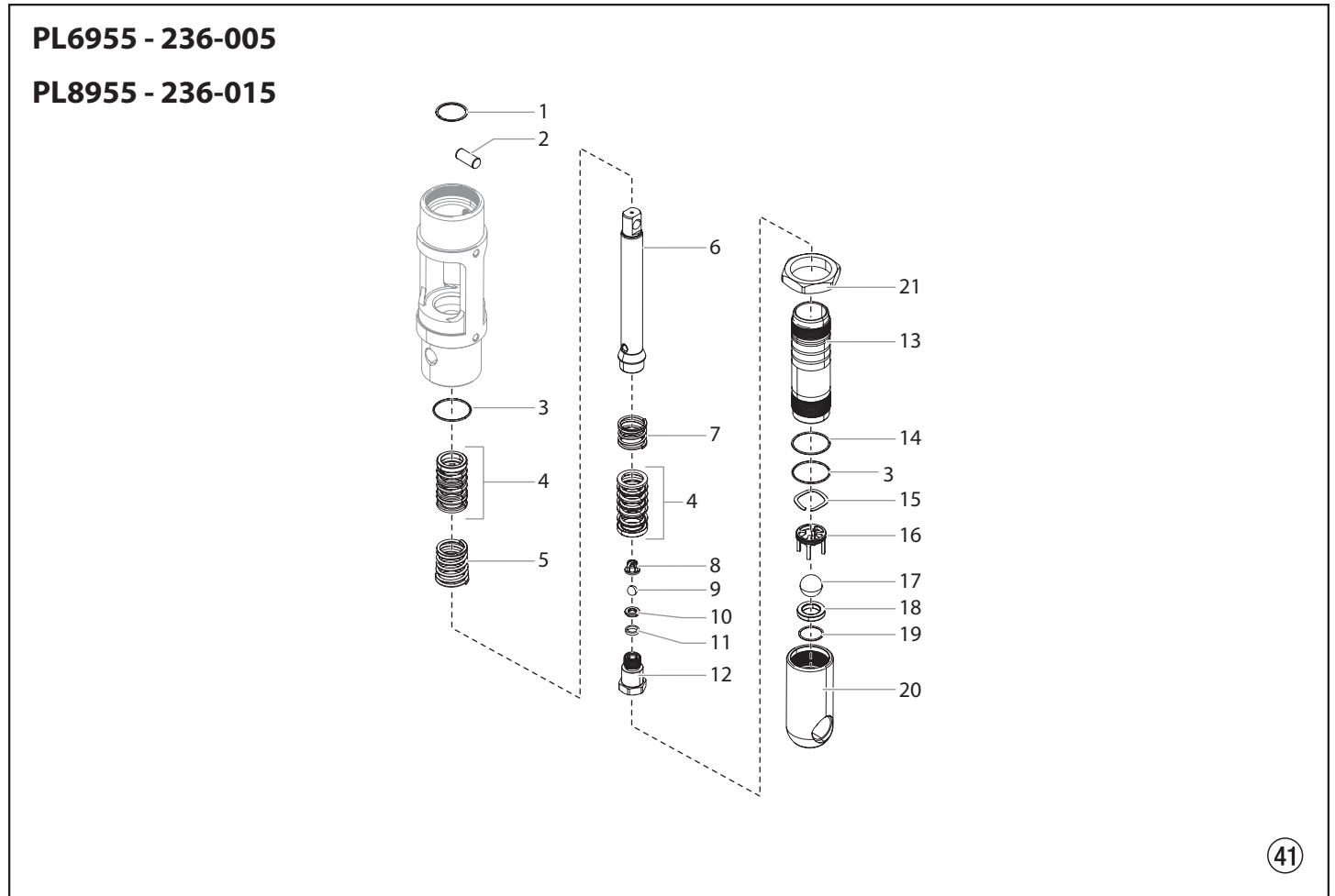
40

Pos.	PL4955	GB Description	D Benennung	F Description
1	143-019	Retaining ring	Spiralring	Bague spiralee
2	107-003	Connecting pin	Verbindungsstift	Goupille de liaison
3	106-015	O-ring, PTFE (2)	O-ring, PTFE (2)	Joint torique, PTFE (2)
4	106-002A	Packing set, leather/UHMWPE/steel (2)	Dichtungssatz, Leder/ Ultrahochmolekular- gewichtiges Polyethylen/Stahl (2)	Garniture, cuir/UHMWPE/acier (2)
5	106-005	Upper packing spring (2)	Konusfeder (2)	Ressort de garniture supérieure (2)
6	107-029	Displacement rod	Kolbenstange	Tige de piston
7	106-001	Spring retainer	Federhalter	Ressort conique
8	106-116	Sleeve	Abziehhülse	Manchon
9	106-016	Lower packing spring	Druckfeder	Ressort de garniture inférieure
10	569-021	Outlet valve ball	Kugel	Bille
11	107-058	Outlet valve seat	Auslassventilsitz	Siège du clapet de refoulement
12	107-060	Seal washer	Scheibe	Rondelle
13	107-055	Outlet valve housing	Auslassventilgehäuse	Corps du clapet de refoulement
14	107-946	Pump cylinder	Zylinder	Cylindre
15	106-014	O-ring	O-ring	Joint torique
16	236-020	Wave washer	Scheibe	Rondelle
17	107-056	Foot valve cage	Kugelführung	Guide de bille
18	138-340	Foot valve ball	Kugel	Bille
19	762-137	Foot valve seat	Einlassventilsitz	Siège
20	762-058	Seat o-ring	Sitz o-ring	Siège du joint torique
21	107-057	Foot valve housing	Einlassventilgehäuse	Logement du clapet de pied
22	528299	Jam nut	Seegerring	Bague de retenue
	107-501	Fluid section service kit, major (includes items 6, 14, and fluid section service kit, minor P/N 107-051)	Flüssigkeitsbereich Wartungssatz, gross (beinhaltet Teile 6, 14 und Flüssigkeitsbereich Wartungssatz, klein P/N 107-051)	Kit de maintenance de la section des liquides, principal (inclut les éléments 6, 14, et le kit de maintenance de la section des fluides, mineur, n° de pièce 107-051)
	107-051	Fluid section service kit, minor (includes items 1, 3, 4, 8, 10, 12, 15, 18, 20, Loctite P/N 426-051 and PTFE tape P/N 317-857)	Flüssigkeitsbereich Wartungssatz, klein (beinhaltet Teile 1, 3, 4, 8, 10, 12, 15, 18, 20, Loctite P/N 426-051 und PTFE 317-857)	Kit de maintenance de la section des liquides, mineur (inclut les éléments 1, 3, 4, 8, 10, 12, 15, 18, 20, Loctite n° de pièce 426-051 et PTFE n° de pièce 317-857)
	107-015A	Foot valve assembly (includes items 16–21)	Einlassventilbaugruppe (beinhaltet Teile 16–21)	Clapet de pied (inclut les éléments 16–21)
	107-016	Outlet valve assembly (includes items 10–13)	Abllassventilbaugruppe (beinhaltet Teile 10–13)	Soupape de sortie (inclut les éléments 10–13)

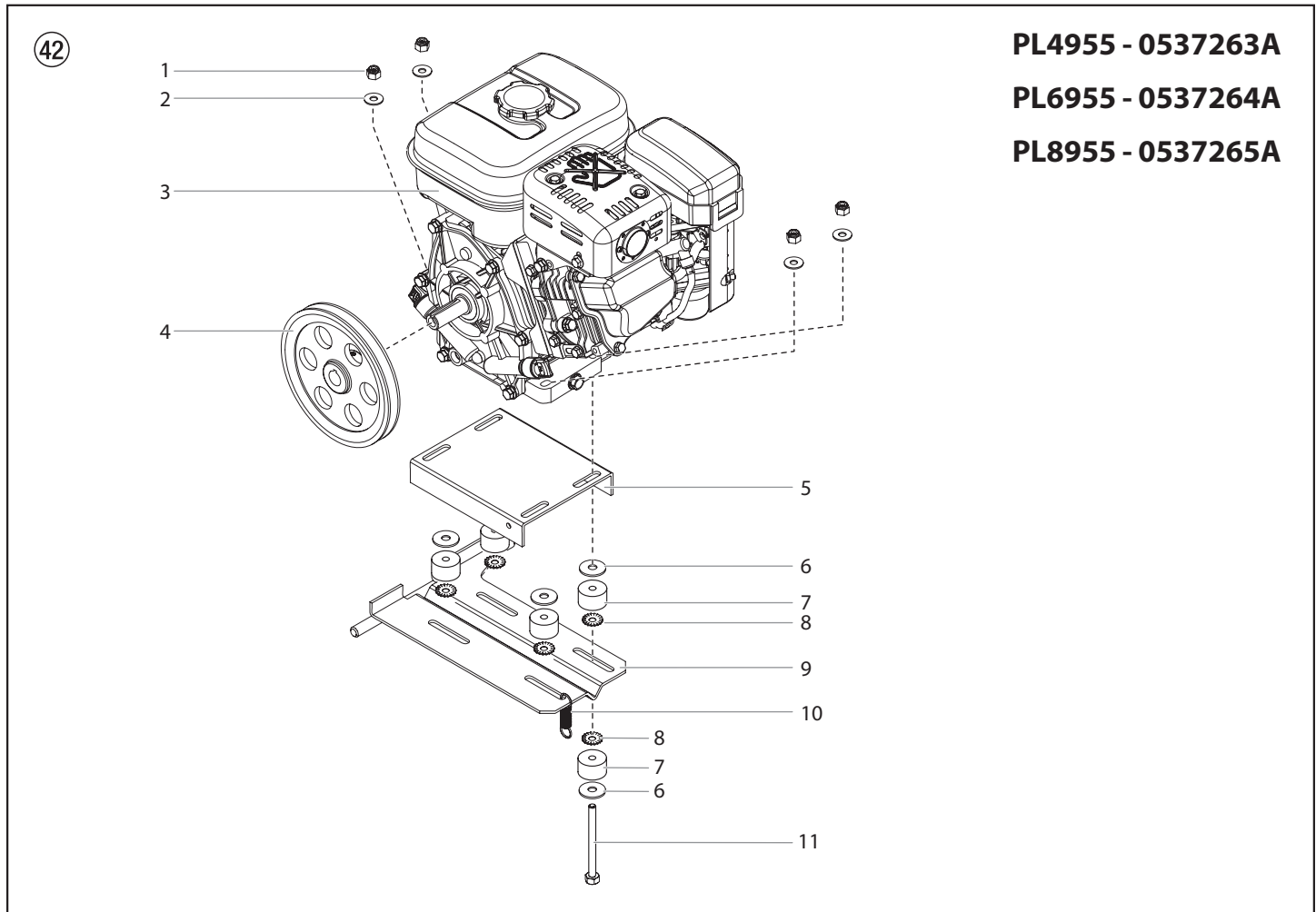
GB Fluid Section

D Flüssigkeitsbereich

F Section des liquides



Pos.	PL6955	PL8955	GB Description	D Benennung	F Description
1	143-019	143-019	Retaining ring	Spiralring	Bague spiralée
2	143-120	143-120	Connecting pin	Verbindungsstift	Goupille de liaison
3	145-031	145-031	O-ring, PTFE (2)	O-ring, PTFE (2)	Joint torique, PTFE (2)
4	138-153A	138-153A	Packing set, leather/UHMWPE/steel (2)	Dichtungssatz, Leder/ Ultrahochmolekular-gewichtiges Polyethylen/Stahl (2)	Garniture, cuir/UHMWPE/acier (2)
5	142-004	142-004	Upper packing spring (2)	Konusfeder (2)	Ressort de garniture supérieure (2)
6	143-127A	144-117	Displacement rod	Kolbenstange	Tige de piston
7	142-003	142-003	Lower packing spring	Druckfeder	Ressort de garniture inférieure
8	451-085	451-085	Outlet valve cage	Ablassventilkorb	Cage de soupape de sortie
9	509710	509710	Outlet valve ball	Kugel	Bille
10	236-012	236-012	Outlet valve seat	Auslassventilsitz	Siège du clapet de refoulement
11	236-032	236-032	Seal washer	Scheibe	Rondelle
12	236-031A	236-031A	Outlet valve housing	Auslassventilgehäuse	Corps du clapet de refoulement
13	143-822	144-832	Pump cylinder	Zylinder	Cylindre
14	140-009	140-009	O-ring	O-ring	Joint torique
15	236-030	236-030	Wave washer	Scheibe	Rondelle
16	236-141	236-141	Foot valve cage	Kugelführung	Guide de bille
17	509707	509707	Foot valve ball	Kugel	Bille
18	509623	509623	Foot valve seat	Einlassventilsitz	Siège
19	509708	509708	Seat o-ring	Sitz o-ring	Siège du joint torique
20	236-126	236-126	Foot valve housing	Einlassventilgehäuse	Logement du clapet de pied
21	528296	528296	Jam nut	Seegerring	Bague de retenue
	143-500	144-500	Fluid section service kit, major (includes items 6, 13, and fluid section service kit, minor P/N 144-050)	Flüssigkeitsbereich Wartungssatz, gross (beinhaltet Teile 6, 13 und Flüssigkeitsbereich Wartungssatz, klein P/N 144-050)	Kit de maintenance de la section des liquides, principal (inclut les éléments 6, 13, et le kit de maintenance de la section des fluides, mineur, n° de pièce 144-050)
	143-050	144-050	Fluid section service kit, minor (includes items 1, 3, 4, 9, 11, 14, 17, 19, and Loctite P/N 426-051)	Flüssigkeitsbereich Wartungssatz, klein (beinhaltet Teile 1, 3, 4, 9, 11, 14, 17, 19, und Loctite P/N 426-051)	Kit de maintenance de la section des liquides, mineur (inclut les éléments 1, 3, 4, 9, 11, 14, 17, 19 et Loctite n° de pièce 426-051)
	236-010A	236-010A	Foot valve assembly (includes items 15-20)	Einlassventilbaugruppe (beinhaltet Teile 15-20)	Clapet de pied (inclut les éléments 15-20)
	236-050	236-050	Outlet valve assembly (includes items 8-12)	Ablassventilbaugruppe (beinhaltet Teile 8-12)	Soupape de sortie (inclut les éléments 8-12)

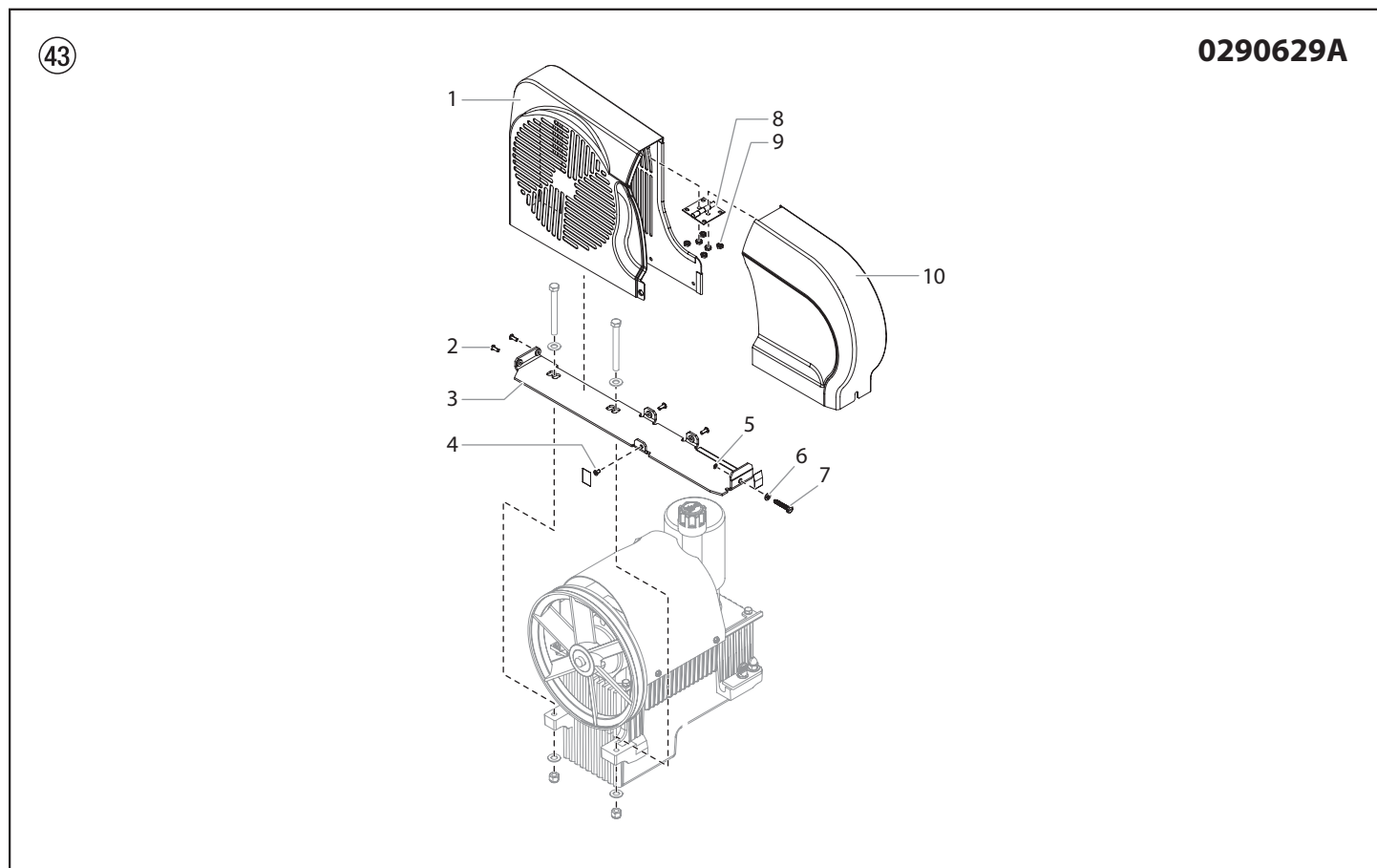
GB Gas Convertokit**D** Convertokit, Benzinmotor**F** Convertokit à essence

Pos.	PL4955	PL6955	PL8955	GB Description	D Benennung	F Description
1	9811122	9811122	9811122	Stop nut (4)	Stellmutter (4)	Écrou d'arrêt (4)
2	860-004	860-004	860-004	Washer (4)	Scheibe (4)	Rondelle (4)
3	980-332A	-----	-----	Engine, gas, 3.7 Hp, Honda	Benzinmotor, 3,7 PS, Honda	Moteur, essence 3,7 Honda
	-----	0537546A	-----	Engine, gas, 4.8 Hp, Honda (electric start)	Benzinmotor, 4,8 PS, Honda (Elektroanlasser)	Moteur, essence 4,8 Honda (démarrage électrique)
	-----	-----	0537547A	Engine, gas, 5.5 Hp, Honda (electric start)	Benzinmotor, 5,5 PS, Honda (Elektroanlasser)	Moteur, essence 5,5 Honda (démarrage électrique)
4	980-106	528717	290797	Pulley	Seilrolle	Poulie
5	449-144	449-144	449-144	Bracket	Halterung	Support
6	294446	294446	294446	Washer (8)	Scheibe (8)	Rondelle (8)
7	290683	290683	290683	Vibration pad (8)	Vibrationskissen (8)	Coussinet isolant (8)
8	9822639	9822639	9822639	Star washer (8)	Sternscheibe (8)	Rondelle éventail (8)
9	290484	290132	290132	Mounting plate	Montageplatte	Plaque de fixation
10	424-255	424-255	424-255	Spring	Feder	Ressort
11	9800088	9800088	9800088	Screw (4)	Scraube (4)	Vis (4)

GB Belt Guard Assembly

D Keilriemenbaugruppe

F Protège-courroie

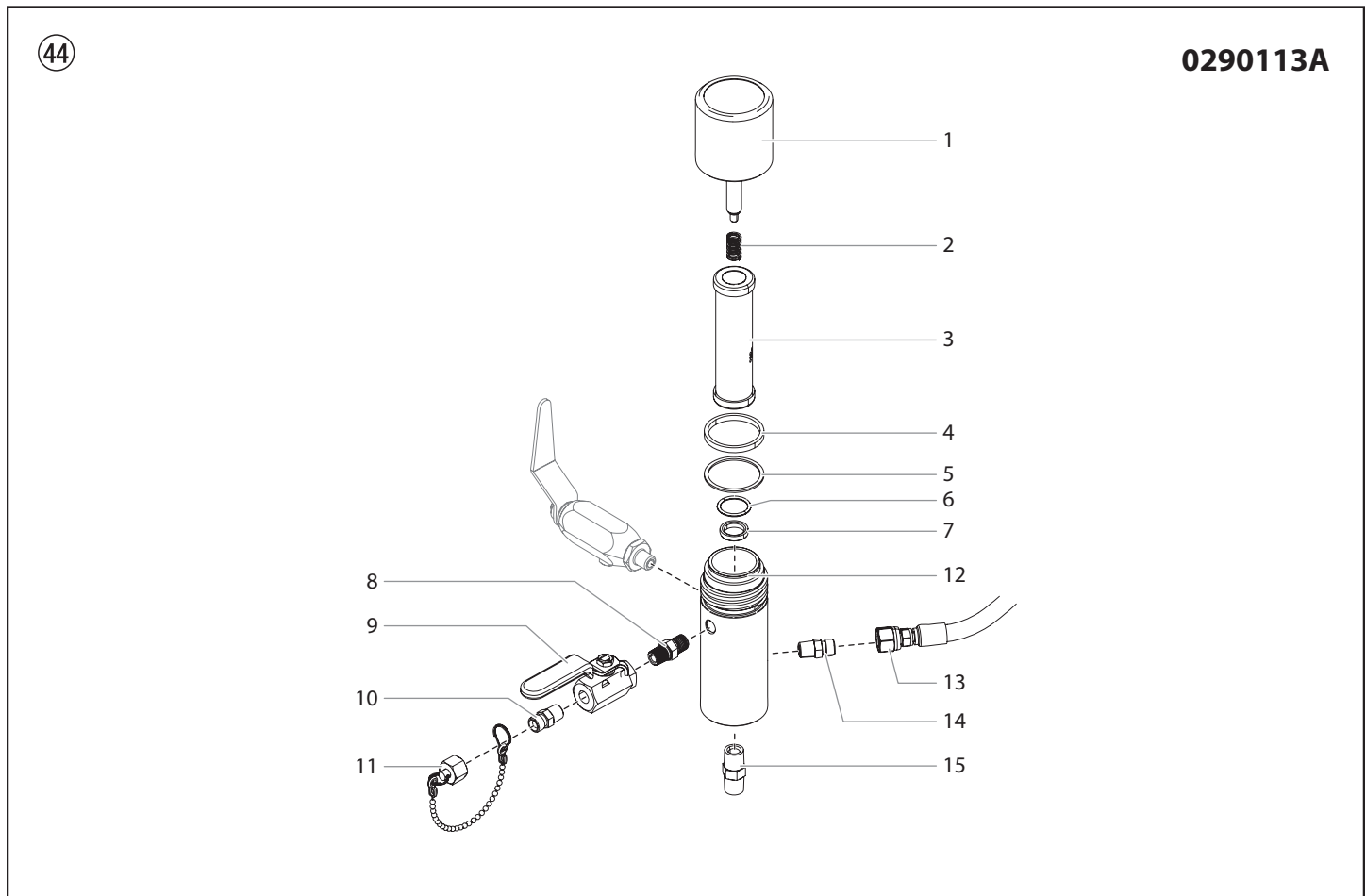


Pos.	PL4955	PL6955	PL8955	GB Description	D Benennung	F Description
1	0290628A	0290628A	0290628A	Belt guard, rear	Riemenschutz, hinten	Protège-courroie, derrière
2	9805415	9805415	9805415	Screw (4)	Schraube (4)	Vis (4)
3	0290626A	0290626A	0290626A	Bracket	Befestigungswinkel	Equerre de fixation
4	9805413	9805413	9805413	Screw	Schraube	Vis
5	9822523	9822523	9822523	Retaining ring	Sicherungsring	Bague de retenue
6	859-001	859-001	859-001	Washer	Scheibe	Rondelle
7	528345	528345	528345	Bolt	Knopf	Bouton
8	290794	290794	290794	Hinge	Gelenkstück	Charnière
9	524318	524318	524318	Nut	Mutter	Écrou
10	0290627A	0290627A	0290627A	Belt guard, front	Riemenschutz, vorne	Protège-courroie, devant

GB High Pressure Filter

D Hochdruckfilter

F Filtre à haute pression



Filter Assembly Specifications

Maximum Working Pressure..... 5000 psi (34.5 MPa)

Filter Area 18 In² (116 cm²)

Outlet Ports (1) 1/4" NPT(F) for bleed valve
 (1) 1/4" NPT(F) with 1/4 NPSM(M) hose connection
 (1) 1/4" NPT(F) plugged for additional gun hookup.

Wetted Parts..... Carbon steel with electroless nickel and cadmium plating, stainless steel, tungsten carbide, PTFE

Spezifikationen

Maximaler Arbeitsdruck..... 34,5 MPa (5000 psi)

Filterbereich 116 cm² (18 In²)

Ablässöffnungen..... (1) 1/4" NPT(F) für das Ablassventil
 (1) 1/4" NPT(F) mit 1/4 NPSM(M) Schlauchverbindung
 (1) 1/4" NPT(F) verschlossen, für zusätzliche Spritzpistolenanschluss.

Nasteile..... Stromloser vernickelter unlegierter Kohlenstoffstahl, Edelstahl, Wolframcarbid, PTFE

Caractéristiques

Pression de travail maximale 34,5 MPa (5000 psi)

Surface du filtre..... 116 cm² (18 In²)

Orifices de sortie (1) 1/4" NPT(F) pour la soupape de décharge
 (1) 1/4" NPT(F) avec raccord de tuyau 1/4 NPSM(M)
 (1) 1/4" NPT(F) branché pour la connexion d'un pistolet supplémentaire.

Pièces mouillées Acier au carbone avec revêtement de nickel et cadmium autocatalytiques, acier inoxydable, carbure de tungstène, PTFE.

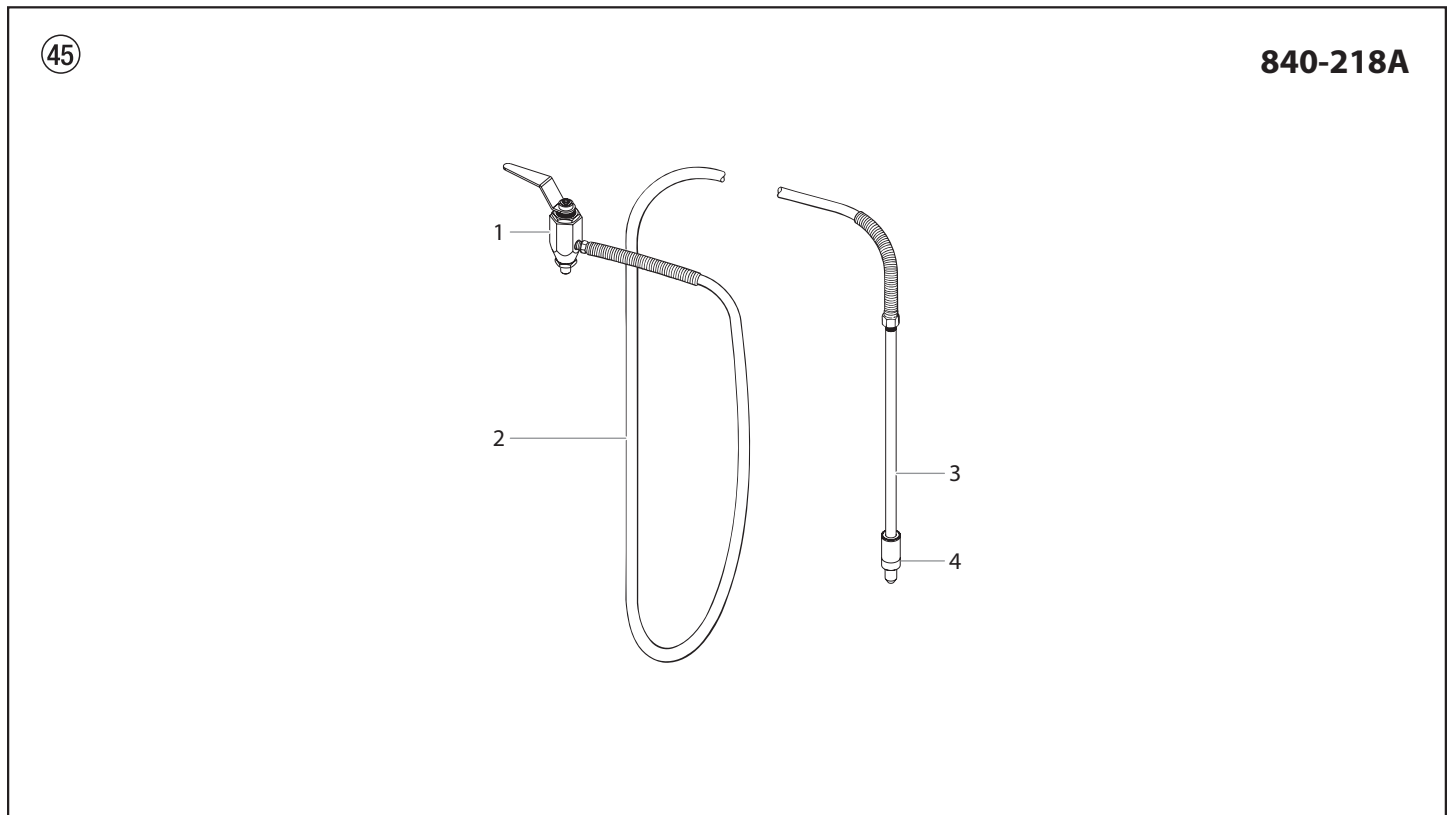
Pos.	PL4955	PL6955	PL8955	GB Description	D Benennung	F Description
1	0290443A	0290443A	0290443A	Filter cap assembly	Gehäusedeckel	Couvercle du corps
2	930-020	930-020	930-020	Spring	Druckfeder	Ressort
3	930-006	930-006	930-006	Filter element, 50 M, with ball	Filterpatrone, 50 Maschen, mit Kugel	Cartouche de filtre 50 mailles, avec bille
	-----	930-005*	930-005*	Filter element, 5 M, with ball	Filterpatrone, 5 Maschen, mit Kugel	Cartouche de filtre 5 mailles, avec bille
	-----	930-007*	930-007*	Filter element, 100 M, with ball	Filterpatrone, 100 Maschen, mit Kugel	Cartouche de filtre 100 mailles, avec bille
4	920-006	920-006	920-006	Gasket, PTFE (thick)	Dichtung dick	Joint épais
5	920-070	920-070	920-070	Gasket, PTFE (thin)	Dichtung dünn	Joint mince
6	891-193	891-193	891-193	O-ring, PTFE	O-Ring	Joint torique, PTFE
7	180-909	180-909	180-909	Seat, tungsten carbide	Ventilsitz	Siège de soupape
8	814-002	814-002	814-002	Hex nipple	Sechskantnippel	Raccord hexagonal
9	940-553	940-553	940-553	Ball valve	Ballventil	Soupape à bille
10	227-006	227-006	227-006	Hex nipple	Sechskantnippel	Raccord hexagonal
11	730-222	730-222	730-222	Outlet cap assembly	Ablasseckelaufbau	Bouchon femelle
12	290993	290993	290993	Filter body	Gehäuse	Corps
13	290339	290339	290339	Hose assembly, 1/4"	Schlauch, 1/4"	Tuyau 1/4"
14	227-006	227-006	227-006	Fitting	Anschluss	Raccord
15	814-004	814-004	814-004	Fitting	Anschluss	Raccord
	930-050	930-050	930-050	Filter service kit (includes items 2 and 4-6)	Filterwartungssatz (beinhaltet Teile 2 und 4-6)	Kit d'entretien du filtre (inclut les éléments 2 et 4-6)

* Optional / Optional / Facultatif

(GB) Bleed Hose Assembly with Valve

(D) Ablassschlauchbaugruppe mit Ventil

(F) Assemblage du tuyau de décharge avec soupape

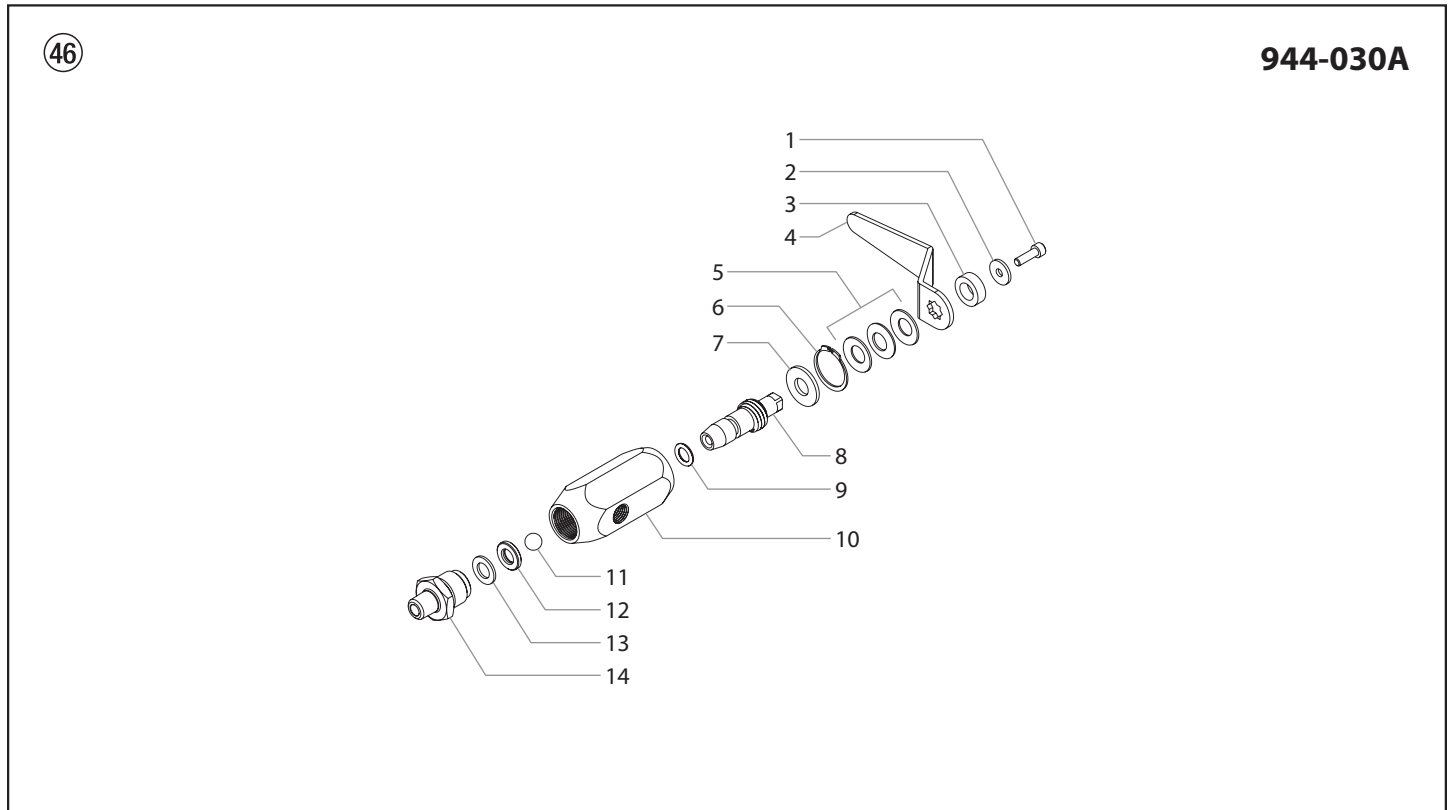


Pos.	PL4955	PL6955	PL8955	(GB) Description	(D) Benennung	(F) Description
1	944-030A	944-030A	944-030A	Bleed valve	Ablassventilbaugruppe	Assemblage de la soupape de décharge
2	500-515	500-515	500-515	Hose assembly	Schlauchbaugruppe	Tuyau
3	103-300A	103-300A	103-300A	Bleed tube (includes item 4)	Ablassrohr (beinhaltet Teil 4)	Tube de décharge (inclut l'élément 4)
4	103-118A	103-118A	103-118A	Diffuser	Düse	Diffuseur
	335-590A	335-590A	335-590A	Bleed line assembly (includes items 2-4)	Baugruppe Entlüftungsleitung (beinhaltet 2-4 Pos.)	Ensemble de tube de décharge (inclut les éléments 2 à 3)
	944-040	944-040	944-040	Bleed valve kit (includes items 1, 4 and bushing P/N 191-211)	Kit für Auslassventil (beinhaltet Pos. 1, 4 sowie Hülse P/N 191-211)	Trousse de la soupape de décharge (inclut les articles 1 et 4, ainsi que la bague dont le no de pièce est 191-211)

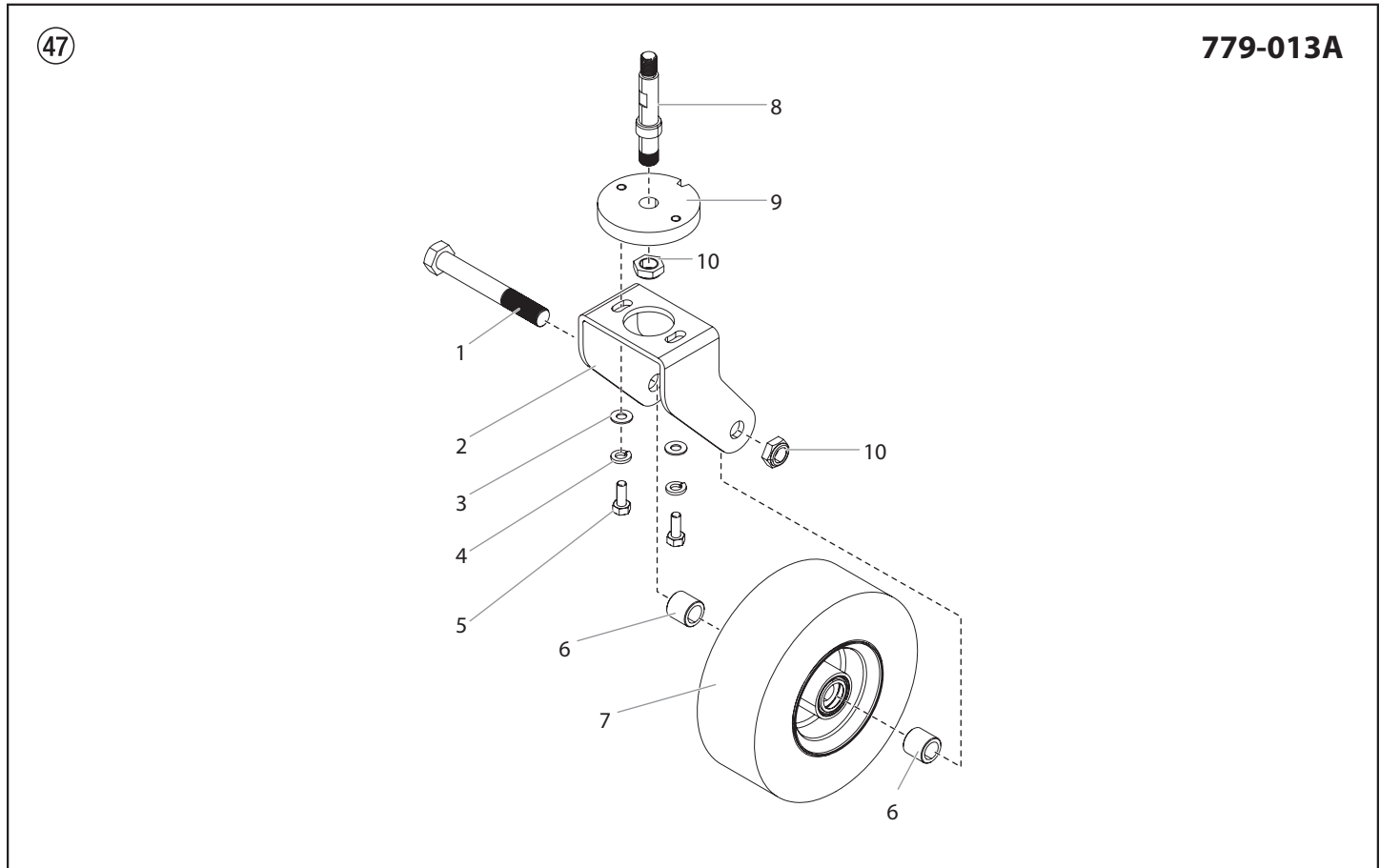
GB Bleed Valve Assembly

D Ablassschlauchbaugruppe

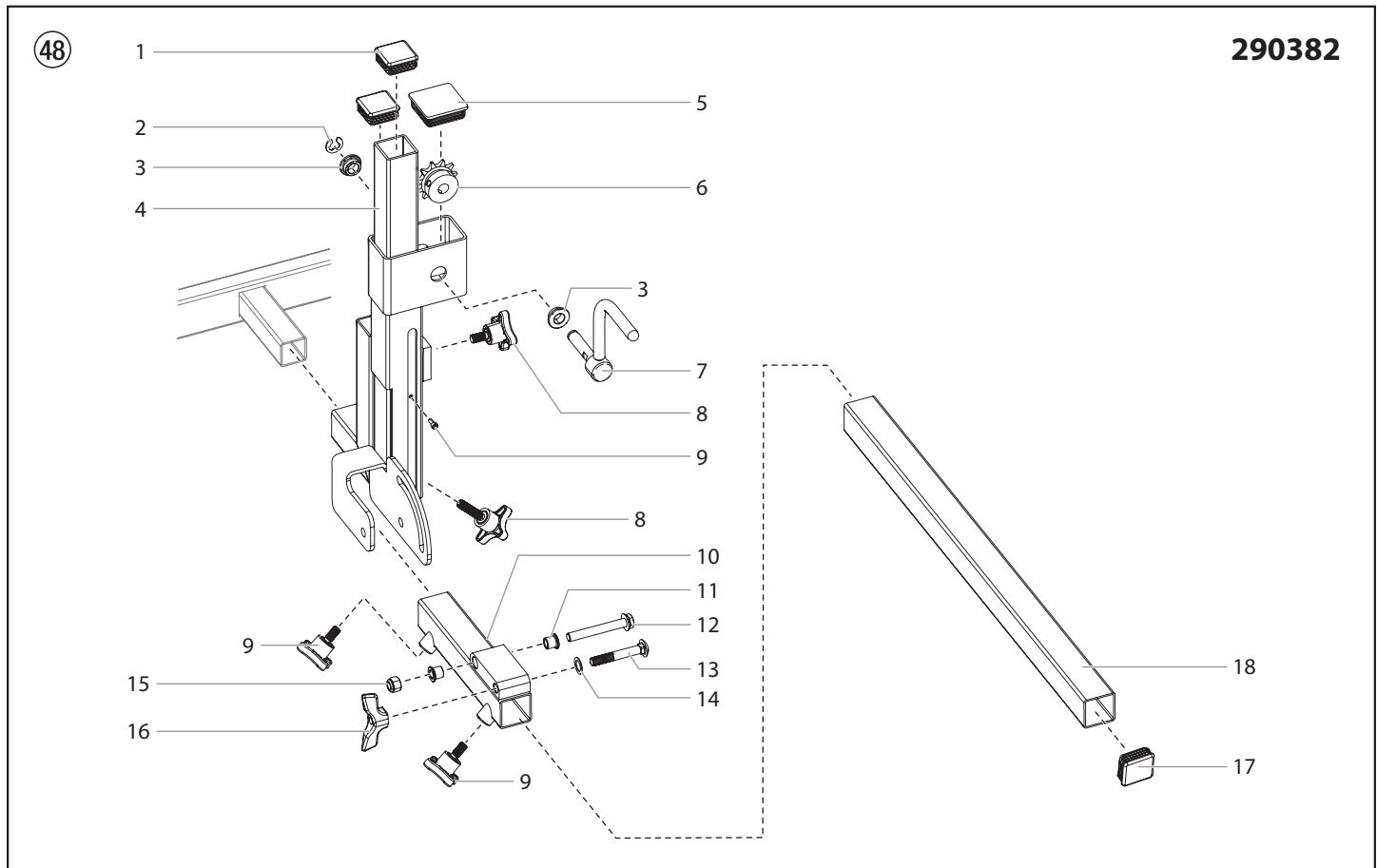
F Assemblage de la soupape de décharge



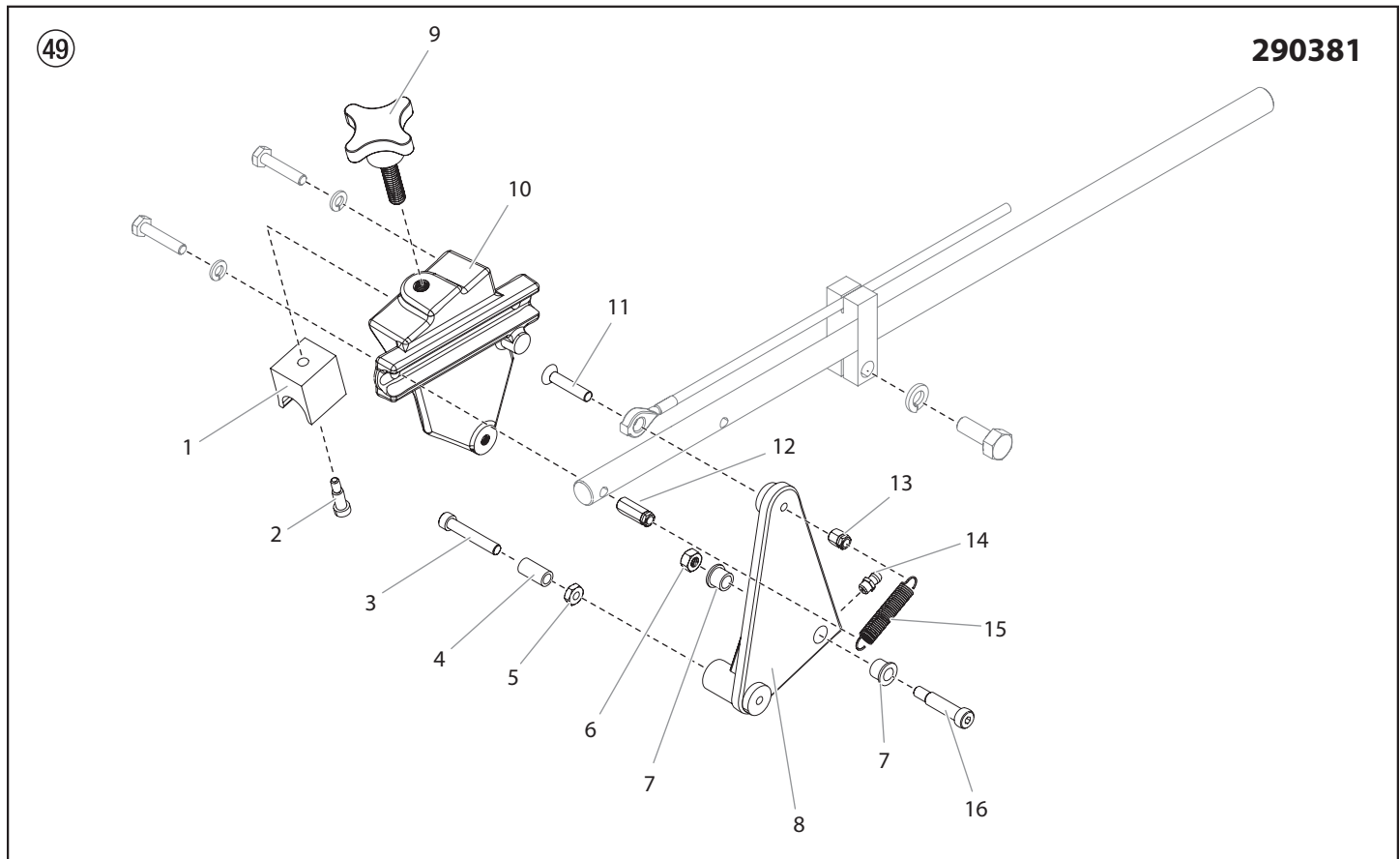
Pos.	PL4955	PL6955	PL8955	GB Description	D Benennung	F Description
1	944-047	944-047	944-047	Hex screw	Sechskantschraube	Vis hexagonale
2	944-029	944-029	944-029	Flat washer	Schiebe	Rondelle
3	295731	295731	295731	Spacer	Abstandhalter	Entretoise
4	295730	295730	295730	Valve handle	Ventilgriff	Poignée de la soupape
5	9820905	9820905	9820905	Spring washer (3)	Federscheibe (3)	Rondelle de ressort (3)
6	9822516	9822516	9822516	Retaining ring	Haltering	Bague de retenue
7	294501	294501	294501	Valve washer	Ventilunterlagsscheibe	Rondelle de soupape
8	944-011	944-011	944-011	Valve stem	Ventilschaltspindel	Tige de soupape
9	9871045	9871045	9871045	Stem O-ring	Schaltspindel O-Ring	Joint torique de la tige
10	944-009	944-009	944-009	Valve housing	Ventilgehäuse	Logement de la soupape
11	9841502	9841502	9841502	Ball	Kugel	Bille
12	294516	294516	294516	Valve seat	Ventilsitz	Siège de la soupape
13	294499	294499	294499	Valve seal	Ventildichtung	Joint de la soupape
14	944-013	944-013	944-013	Valve seat retainer	Ventilsitzhalter	Dispositif de retenue du siège de la soupape

GB Caster Assembly**D** Sprüherbaugruppe**F** Assemblage de la roulette

Pos.	PL4955	PL6955	PL8955	GB Description	D Benennung	F Description
1	779-018	779-018	779-018	Axle	Achse	Essieu
2	779-011	779-011	779-011	Frame	Gehäuse	Châssis
3	509285	509285	509285	Washer (2)	Scheibe (2)	Rondelle (2)
4	509292	509292	509292	Lock washer (2)	Federscheibe (2)	Rondelle de blocage (2)
5	862-436	862-436	862-436	Bolt (2)	Sechskantschraube (2)	Vis hexagonale (2)
6	779-017	779-017	779-017	Spacer (2)	Abstandhalter (2)	Entretoise (2)
7	779-016	779-016	779-016	Wheel	Rad	Roue
8	779-014	779-014	779-014	Shaft	Schaft	Arbre
9	779-012	779-012	779-012	Locating ring	Ortungsring	Rondelle de centrage
10	779-019	779-019	779-019	Lock nut (2)	Stellmutter (2)	Écrou de blocage (2)

(GB) Lift / tilt assembly**(D)** Baugruppe Hebe-/Kippvorrichtung**(F)** Ensemble servant à lever ou incliner

Pos.	PL4955	PL6955	PL8955	(GB) Description	(D) Benennung	(F) Description
1	451-052	451-052	451-052	Plastic plug (2)	Plastikstöpsel (2)	Fiche en plastique (2)
2	290997	290997	290997	Retaining ring	Spiralring	Bague spiralée
3	290995	290995	290995	Bushing (2)	Buchse (2)	Bague de réduction (2)
4	290062	290062	290062	Frame, gun support	Rahmen, Pistolenhalter	Châssis, Support à pistolet
5	290998	290998	290998	Plastic plug	Plastikstöpsel	Fiche en plastique
6	290996	290996	290996	Sprocket	Kettenrad	Pignon
7	0290891A	0290891A	0290891A	Crank	Kurbel	Manivelle
8	759-306	759-306	759-306	Clamping knob (4)	Klemmungsknopf (4)	Bouton de serrage (4)
9	756-076	756-076	756-076	Screw	Schraube	Vis
10	0290330A	0290330A	0290330A	Gun support bar receiver	Aufnahme der Haltevorrichtung Pistole	Dispositif de réception du support de pistolet
11	290351	290351	290351	Bearing (2)	Lager (2)	Palier (2)
12	9805457	9805457	9805457	Screw	Schraube	Vis
13	290362	290362	290362	Bolt	Sechskantschraube	Vis hexagonale
14	290373	290373	290373	Washer	Scheibe	Rondelle
15	862-410	862-410	862-410	Nut	Mutter	Écrou
16	779-078	779-078	779-078	Wing knob	Flügeldrehkopf	Poignée à oreilles
17	757-055	757-055	757-055	Plastic end cap	Plastikabschlusskappe	Chapeau en plastique
18	290328	290328	290328	Gun support bar	Spritzpistolenhaltestange	Barre de support du pistolet

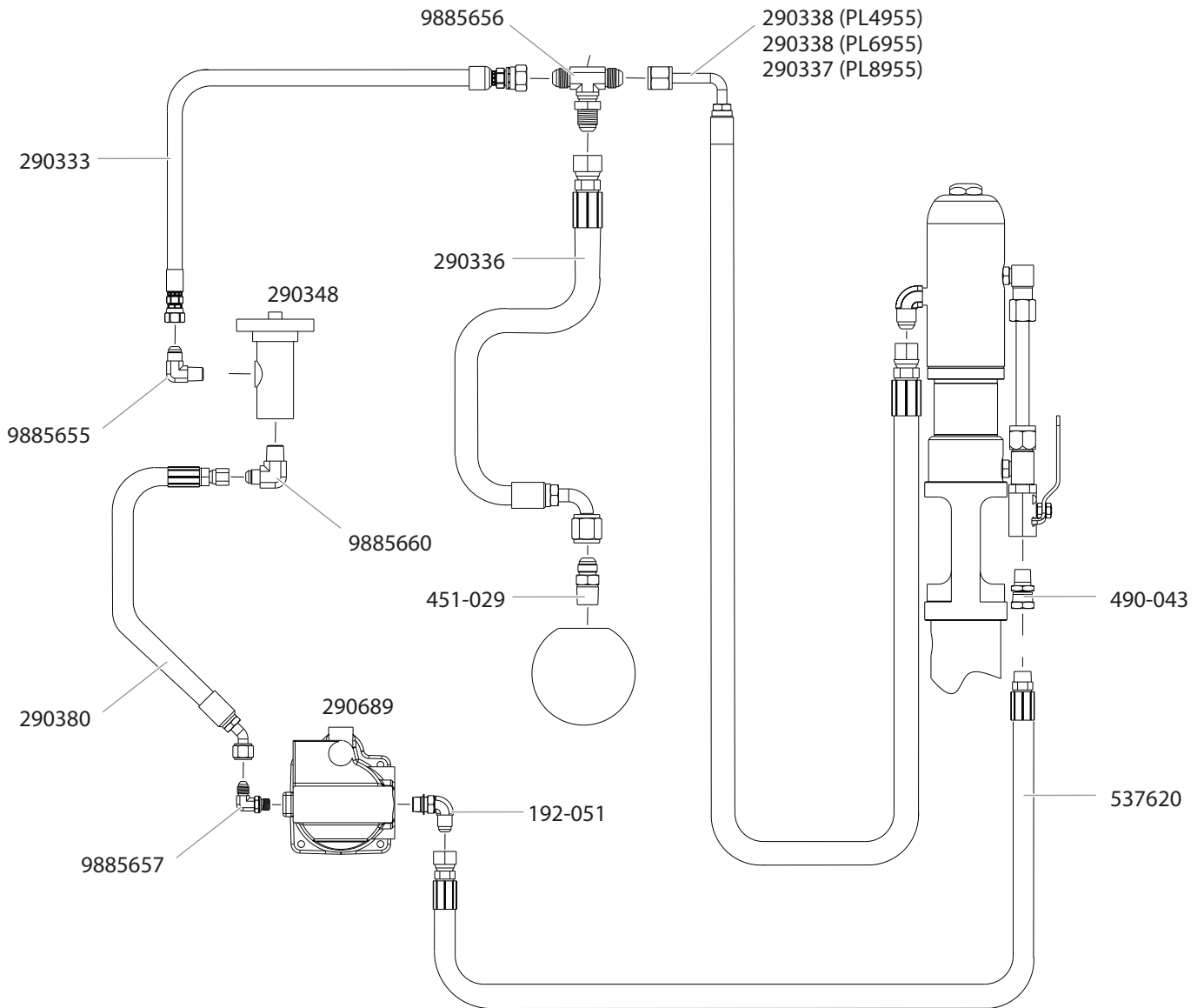
GB Gun Holder Assembly**D** Baugruppe Pistolenhalter**F** Ensemble de support à pistolet

Pos.	PL4955	PL6955	PL8955	GB Description	D Benennung	F Description
1	759-316	759-316	759-316	Clamp block	Klemmblock	Bloc de blocage
2	756-037	756-037	756-037	Shoulder screw	Schraube	Vis à épaulement
3	858-653	858-653	858-653	Shoulder screw	Schraube	Vis à épaulement
4	424-249	424-249	424-249	Sleeve bearing	Gleitlager	Palier applique
5	858-603	858-603	858-603	Jam nut	Blockierungsmutter	Contre-écrou
6	9810108	9810108	9810108	Jam nut	Blockierungsmutter	Contre-écrou
7	424-248	424-248	424-248	Flange bearing (2)	Flanschlager (2)	Palier applique (2)
8	424-202	424-202	424-202	Lever	Hebel	Levier
9	756-034	756-034	756-034	Clamping knob	Klemmungsknopf	Bouton de serrage
10	-----	-----	-----	Gun holder	Spritzpistolenhalter	Support du pistolet
11	703-079	703-079	703-079	Screw	Schraube	Vis
12	759-057	759-057	759-057	Spring holder (long)	Federhalter (lang)	Support de ressort (long)
13	759-056	759-056	759-056	Spring holder (short)	Federhalter (kurz)	Support de ressort (court)
14	762-052	762-052	762-052	Grease fitting	Schmierfitting	Graisseur
15	509781	509781	509781	Return spring	Rückholfeder	Ressort de rappel
16	860-936	860-936	860-936	Shoulder screw	Ansatzschraube	Vis à épaulement
	290381	290381	290381	Gun holder assembly (includes items 1-16)	Baugruppe Pistolenhalterung (beinhaltet Pos. 1-16)	Ensemble de support à pistolet (inclut les articles 1 à 16)

GB Hydraulic Connection Diagram

D Hydraulikschema

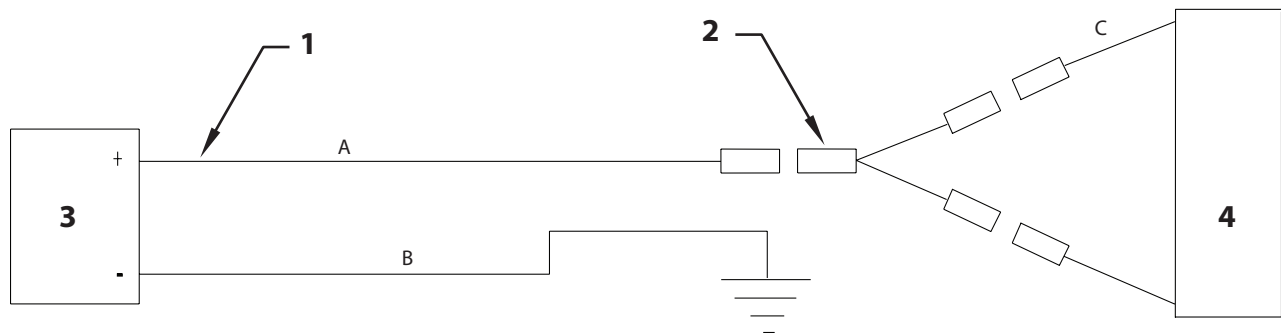
F Schéma de connexion hydraulique



(GB) Connection Diagram (PL4955)

(D) Schaltplan (PL4955)

(F) Schéma électrique (PL4955)

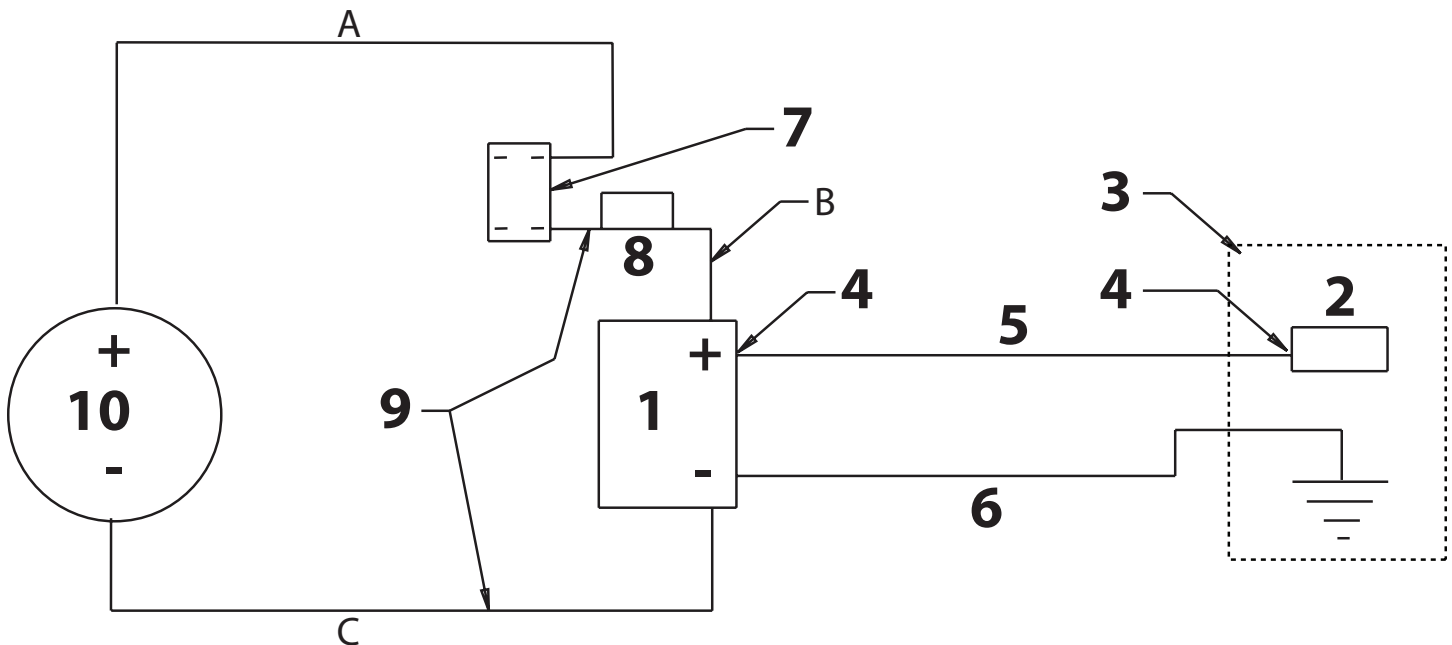


Pos.	PL4955	(GB) Description	(D) Benennung	(F) Description
1	528716	Wire assembly	Leitungsstrang	Groupe de fils
2	779-147	Wire assembly	Leitungsstrang	Groupe de fils
3	779-090	Kill switch	Abwürgeschalter	Disjoncteur
4	980-332A	Engine, gas, Honda GX 120	Benzinmotor, Honda GX 120	Moteur, essence Honda GX 120
Wire assembly • Leitungsstrang • Groupe de fils				
A	-----	Black	Schwarz	Noir
B	-----	Green	Grün	Vert
C	-----	Yellow	gelb	Jaune

(GB) Connection Diagram (PL6955/PL8955)

(D) Schaltplan (PL6955/PL8955)

(F) Schéma électrique (PL6955/PL8955)



Always disconnect the battery prior to any repair work.

Trennen Sie die Batterie vor allen Reparaturarbeiten ab.

Toujours débrancher la pompe avant d'effectuer les réparations.

Pos.	PL6955	PL8955	(GB) Description	(D) Benennung	(F) Description
1	434-641	434-641	Battery, 12V	Batterie, 12 Volt	Pile, 12 Volts
2	-----	-----	Starter solenoid	Magnetschalter	Solénoïde du démarreur
3	0537546A	-----	Engine, gas, Honda GX160 (electric start)	Benzinmotor, Honda GX160 (Elektroanlasser)	Moteur, essence Honda GX160 (démarrage électrique)
	-----	0537547A	Engine, gas, Honda GX200 (electric start)	Benzinmotor, Honda GX200 (Elektroanlasser)	Moteur, essence Honda GX200 (démarrage électrique)
4	290551	290551	Terminal cover (2)	Abdeckung (2)	Couvercle (2)
5	290364	290364	Battery cable, red	Batteriekabel, rot	Câble de la pile, rouge
6	290363	290363	Battery cable, black	Batteriekabel, schwarz	Câble de la pile, noir
7	9850936	9850936	ON/OFF switch	EIN-/AUS-Schalter	Interrupteur
8	290130	290130	Fuse, 10A	Sicherung, 10A	Fuse, 10A
9	528711	528711	Wire assembly	Leitungsstrang	Groupe de fils
10	290347	290347	12 volt socket	12-Volt-Steckdose	Support de 12 Volts
Wire assembly • Leitungsstrang • Groupe de fils					
A	528712	528712	Red	Rot	Rouge
B	-----	-----	Wire with fuse	Kabel mit Sicherung	Fil avec fusible
C	-----	-----	Black	Schwarz	Noir

SPRAY GUNS		SPRITZPISTOLE	PISTOLETS DE PULVÉRISATION
538005	RX-80™ 4 finger with Tip	RX-80™ 4-finger mit Düse	RX-80™ à 4 doigts avec buse
538006	RX-80™ 2 finger with Tip	RX-80™ 2-finger mit Düse	RX-80™ à 2 doigts avec buse
550060	S-3 with 517 Tip	S-3 mit Düse 517	S-3 avec buse 517
SPRAY TIPS AND ACCESSORIES		SPRITZDÜSEN UND ZUBEHÖR	BUSES D'AIR ET ACCESSOIRES
697-xxx	Striping tip*	Markierungsdüse*	Buse pour peindre les lignes*
0289228A	No Build Tip Guard	No Build Tip Guard (Düsenschutz vor Verstopfung)	Protecteur de buse sans accumulation
538029	Tip Swivel	Drehgelenk Düse	Pivot de buse
661-020	Tip seat and seal kit (5 pack)	Düsensitz und Dichtungssatz (5-er Pack)	Siège de buse et trousse d'étanchéité (ens. de 5)
GUN FILTERS		SPRITZPISTOLENFILTER	FILTRES POUR PISTOLETS
89957	Coarse Mesh Filter (Green)	Grobmaschiges Filter (grün)	Filtre de maille grossier (vert)
0089958B	Medium Mesh Filter (White)	Filter mit mittlerer Maschenstärke (weiß)	Filtre de maille moyen (blanc)
0089959A	Fine Mesh Filter (Yellow)	Feinfilter (gelb)	Filtre de maille fin (jaune)
89960	Extra Fine Mesh Filter (Red)	Filter mit extrafeiner Maschenstärke (rot)	Filtre de maille extra-fin (rouge)
PUMP MANIFOLD FILTERS		PUMPENFILTER	FILTRES DE POMPE
930-004	Mastic, 0 mesh	Maschenweite 0, Mastik	0 mesh, mastics
930-005	Coarse, 5 mesh	Maschenweite 5, Grob	5 mesh, grossier
930-006	Medium, 50 mesh	Maschenweite 50, Mittlerer	50 mesh, moyen
930-007	Fine, 100 mesh	Maschenweite 100, Feine	100 mesh, fin
LINE STRIPER ACCESSORIES		ZUBEHÖR LINIENMARKIERUNG	ACCESSOIRES DE L'APPAREIL À PEINDRE DES LIGNES
759-150	Side Striper	Side Striper	Appareil latéral à peindre les lignes
2418851	20" Gun Extension	51 cm Erweiterung der Pistole	Rallonge de pistolet de 51 cm
759-120	Floating Gun Kit	Kit zur schwimmenden Halterung der Spritzpistole	Trousse pour pistolet flottant
759-130	Paint Hopper (12 gal)	Farbtrichter (45 l)	Trémie à peinture (45 l)
0290175A	LineSite laser	LineSite-laser	Laser LineSite
424-826	Bead Dispenser, 1 Gun Kit w/ Hopper, 4–6" line width	Perlstreuer, 1-Pistole-Kit und Farbtrichter, 10–15 cm Linienstärke	Distributeur de perles, trousse pour 1 pistolet avec trémie, largeur de ligne de 10 à 15 cm
424-816	Bead Dispenser, 2nd Gun Kit, 4–6" line width	Perlstreuer, Zweite-Pistole-Kit, 10–15 cm Linienstärke	Distributeur de perles, trousse pour deuxième pistolet, largeur de ligne de 10 à 15 cm
424-836	Bead Dispenser, 2 Gun Kit w/ Hopper, 4–6" line width	Perlstreuer, 2-Pistole-Kit und Farbtrichter, 10–15 cm Linienstärke	Distributeur de perles, trousse pour 2 pistolet avec trémie, largeur de ligne de 10 à 15 cm
424-840	Bead Dispenser, 1 Gun Kit w/ Hopper, 12" line width	Perlstreuer, 1-Pistole-Kit und Farbtrichter, 30 cm Linienstärke	Distributeur de perles, trousse pour 1 pistolet avec trémie, largeur de ligne de 30 cm
424-841	Bead Dispenser, 2nd Gun Kit, 12" line width	Perlstreuer, Zweite-Pistole-Kit, 30 cm Linienstärke	Distributeur de perles, trousse pour deuxième pistolet, largeur de ligne de 30 cm
2430599	Ball hitch kit	Kugelumkupplung Kit	Trousse de la rotule d'attelage
0290040H	LazyLiner™ Elite	LazyLiner™ Elite	LazyLiner™ Elite
0290041H	LazyLiner™ Pro	LazyLiner™ Pro	LazyLiner™ Pro

759-155	Turf kit	Rasenausrüstung	Kit pour pelouse
0290953A	HandiBead	HandiBead	HandiBead
290623	Spray Shield	Spray Shield	Spray Shield
759-147	Pail cover	Abdeckung Eimer	Couvercle de seau
290932	Stencil kit 1	Schablonenbausatz 1	Trousse de pochoir 1
290933	Stencil kit 2	Schablonenbausatz 2	Trousse de pochoir 2
290934	Stencil kit 3	Schablonenbausatz 3	Trousse de pochoir 3
0509762A	Inlet filter	Steinabschneider	Grille à roches
316-505	High pressure hose, 50'	Hochdruckschlauch, 15m	Flexible haute pression, 15m
316-533	High pressure hose, 6'	Hochdruckschlauch, 2m	Flexible haute pression, 2m
LUBRICANTS AND CLEANERS		SCHMIER- UND REINIGUNGSMITTEL	LUBRIFIANTS ET NETTOYANTS
314-480	Piston Lube™, 8 oz	Piston Lube™, 224 ml	Piston Lube™, 224 ml
430-362	Coolflo™ Hydraulic Fluid, 1 qt	Coolflo™ Hydraulikflüssigkeit, 1 Quart	Fluide hydraulique Coolflo™, 0,9 litre
430-361	Coolflo™ Hydraulic Fluid, 1 gal	Coolflo™ Hydraulikflüssigkeit, 1 Gallone	Fluide hydraulique Coolflo™, 3,8 litres
314-482	Liquid Shield™, 1 Quart	Liquid Shield™, 1 Quart	Liquid Shield™, 946 ml
508071	Paint Mate, 1 Quart	Paint Mate, 1 Quart	Paint Mate, 946 ml
LABELS		KENNZEICHNUNG	ÉTIQUETTE
290076	Belt guard label, PL4955	Kennzeichnung Riemenschutz, PL4955	Étiquette de la protection de courroie, PL4955
290077	Belt guard label, PL6955	Kennzeichnung Riemenschutz, PL6955	Étiquette de la protection de courroie, PL6955
290078	Belt guard label, PL8955	Kennzeichnung Riemenschutz, PL8955	Étiquette de la protection de courroie, PL8955

* Go to www.titantool.com for tip sizes / Besuchen Sie www.titantool.com für Spitzengrößen / visitez www.titantool.com pour la pointe des buse de pulvérisation

GB Striping Tips

D Streifendüsen

F Buses de rayage

Titan's line striping tips provide razor sharp line edges, consistent line width, and uniform film thickness. They also reduce wasted paint and increase striper profits.

Select tips by their orifice size and fan (line) width. Determine the desired fan (line) width for the job and then the orifice size that will supply the necessary amount of fluid for proper atomization. For light viscosity fluids, use smaller orifice tips. For heavier viscosity materials, larger orifice tips are preferred.

Understanding Striping Tips

Example A: With the same fan (line) width, a larger orifice applies a greater volume of paint to the area.

Example B: With the same orifice size positioned 6" above the surface, a larger fan (line) width means the same paint amount is being applied to a greater area.

Die Striping Tip Düsen von Titan bieten messerscharf gezogene Linienkanten, eine konstante Linienbreite und eine gleichmäßige Schichtdicke. Sie minimieren auch die Verschwendung von Farbe, wodurch die Gewinne der Straßenmarkierer maximiert werden.

Spitzen wählen Sie nach ihrer Düsengröße und Fächerbreite (Linie) aus. Bestimmen Sie die gewünschte Fächerbreite (linie) für den Auftrag und dann die Düsengröße, die die erforderliche Flüssigkeitsmenge für eine ordnungsgemäße Zerstäubung ermöglicht. Verwenden Sie für Flüssigkeiten mit leichter Viskosität kleinere Düsen spitzen. Für Materialien mit schwererer Viskosität werden Spitzen mit größeren Öffnungen bevorzugt.

Düsen für Straßenmarkierungen verstehen

Beispiel A: Bei gleicher Fächerbreite (Linie) trägt eine größere Öffnung ein größeres Farbvolumen auf den Bereich auf.

Beispiel B: Bei einer gleichen Düsengröße, die 6" über der Oberfläche positioniert wird, bedeutet eine größere Fächerbreite (Linie), dass die gleiche Farbmenge auf eine größere Fläche aufgetragen wird.

Les buses de rayage de lignes de Titan offrent des bords de ligne à traçage très précis, une largeur de ligne constante et une épaisseur de couche uniforme. Elles réduisent également le gaspillage de peinture et augmentent les bénéfices des traceurs.

Sélectionnez les buses en fonction de la taille de leur orifice et de la largeur de répartition (ligne). Déterminez la largeur de répartition (ligne) souhaitée pour le travail, puis la taille de l'orifice qui fournira la quantité de fluide nécessaire pour une atomisation appropriée. Pour les fluides à faible viscosité, utilisez des buses à orifice plus petit. Pour les matériaux à viscosité plus élevée, il est préférable d'utiliser des buses à orifice plus grand.

Comprendre les astuces du rayage

Exemple A : Avec la même largeur de répartition (ligne), un orifice plus grand applique un plus grand volume de peinture sur la zone.

Exemple B : Avec la même taille d'orifice positionnée à 15 cm au-dessus de la surface, une plus grande largeur de répartition (ligne) signifie que la même quantité de peinture est appliquée sur une plus grande surface.

Example A • Beispiel A • Exemple A			
Tip Number • Düsennummer • Numéro de buse	419	423	429
Orifice size • Düsengröße • Taille de l'orifice	.019	.023	.029
Fan (line) width • Fächerbreite (Linie) • Largeur de répartition (ligne)	4" (10 cm)	4" (10 cm)	4" (10 cm)
Film thickness • Schichtdicke • Épaisseur de couche	Least • am wenigsten • Le moins		Most • am meisten • Le plus

Example B • Beispiel B • Exemple B			
Tip Number • Düsennummer • Numéro de buse	219	419	619
Orifice size • Düsengröße • Taille de l'orifice	.019	.019	.019
Fan (line) width • Fächerbreite (Linie) • Largeur de répartition (ligne)	2" (5 cm)	4" (10 cm)	6" (15 cm)
Film thickness • Schichtdicke • Épaisseur de couche	Most • am meisten • Le plus		Least • am wenigsten • Le moins

Recommended tip sizes for common applications

Orifice Size Range (inches)	Application	Gun Filter (mesh)	Pump Manifold Filter (mesh)
0.013" – 0.017"	Stencil and athletic field lines	Medium	Medium
0.017" – 0.035"	Standard traffic paints	Medium	Medium
0.025" – 0.043"	Self-propelled driver (med/high speed)	Coarse	Coarse
0.039" – 0.043"	Highly viscous traffic paints	Coarse	Coarse

NOTE: Consult with your coating's technical datasheet for filter and tip size suggestions.

Empfohlene Spitzengrößen für gängige Anwendungen

Größenbereich der Öffnung (Inches)	Anwendung	Pistolenfilter (Mesh)	Pumpenverteilerfilter (Mesh)
0,013" – 0,017"	Schablone und Sportfeldlinien	Mittel	Mittel
0,017" – 0,035"	Standardmäßige Verkehrsfarben	Mittel	Mittel
0,025" – 0,043"	Selbstfahrender Antrieb (mittlere/hohe Geschwindigkeit)	Grob	Grob
0,039" – 0,043"	Hochviskose Verkehrsfarben	Grob	Grob

HINWEIS: Informationen zu Filter- und Düsendrößenvorschlägen finden Sie im technischen Datenblatt Ihrer Beschichtung.

Tailles de buse recommandées pour les applications courantes

Plage de dimensions des orifices (pouces)	Application	Filtre de pistolet (maille)	Filtre de collecteur de pompe (maille)
0,013" – 0,017"	Pochoir et lignes de terrain de sport	Moyen	Moyen
0,017" – 0,035"	Peintures de signalisation sur route standard	Moyen	Moyen
0,025" – 0,043"	Dispositif automoteur (moyenne/haute vitesse)	Grossier	Grossier
0,039" – 0,043"	Peintures de signalisation sur route très visqueuses	Grossier	Grossier

REMARQUE : Consultez la fiche technique de votre revêtement pour des suggestions de taille de filtre et de buse.

(GB) Striping Tip Chart**(D)** Streifendüsentabelle**(F)** Tableau de buse de rayage**Easy-to-Understand Tip Sizes**

- Part Number: 697 – XYY
- X = Width of stripe (inches) when sprayed 6" from surface
- YY = Orifice size in thousandths of an inch
- Example: 419 = 4" wide stripe with a 0.019" orifice

Leicht verständliche Düsendrößen

- Artikelnummer: 697 – XYY
- X = Breite des Streifens (Inches) beim Aufsprühen auf die Oberfläche mit einem Abstand von 6"
- YY = Öffnungsgröße in Tausendstel Zoll
- Beispiel: 419 = 4" breiter Streifen mit einer 0,019" Öffnung

Tailles de buse faciles à comprendre

- Numéro de pièce : 697 – XYY
- X = Largeur de la bande (centimètre) lorsque la pulvérisation est à 15 cm de la surface
- YY = taille de l'orifice en millièmes de centimètre
- Exemple : 419 = bande large de 4" avec un orifice de 0,019"

		ORIFICE SIZE (INCHES)									
FAN PATTERN WIDTH	INCHES	MM	0.013	0.015	0.017	0.019	0.021	0.023	0.025	0.027	
	2	51		215	217	219					
	4	102	413	415	417	419	421	423		427	
	6	152		615	617	619	621				
	8-10	203-254					821	823			
	Flow (GPM)			0.18	0.24	0.31	0.39	0.47	0.57	0.67	0.78
	Flow (LPM)			0.68	0.91	1.17	1.47	1.78	2.15	2.53	2.95

		ÖFFNUNGSGRÖSSE (INCHES)									
BREITE DES FÄCHERMUSTERS	INCHES	MM	0,013	0,015	0,017	0,019	0,021	0,023	0,025	0,027	
	2	51		215	217	219					
	4	102	413	415	417	419	421	423		427	
	6	152		615	617	619	621				
	8-10	203-254					821	823			
	Fluss (GPM)			0,18	0,24	0,31	0,39	0,47	0,57	0,67	0,78
	Fluss (LPM)			0,68	0,91	1,17	1,47	1,78	2,15	2,53	2,95


		TAILLE DE L'ORIFICE (POUCES)									
LARGEUR DE RÉPARTITION	POUCES	MM	0,013	0,015	0,017	0,019	0,021	0,023	0,025	0,027	
	2	51		215	217	219					
	4	102	413	415	417	419	421	423		427	
	6	152		615	617	619	621				
	8-10	203-254					821	823			
	Débit (GPM)			0,18	0,24	0,31	0,39	0,47	0,57	0,67	0,78
	Débit (LPM)			0,68	0,91	1,17	1,47	1,78	2,15	2,53	2,95

GB DC - Electric Convertokit (120V)


D Convertokit, Elektromotor (120V)

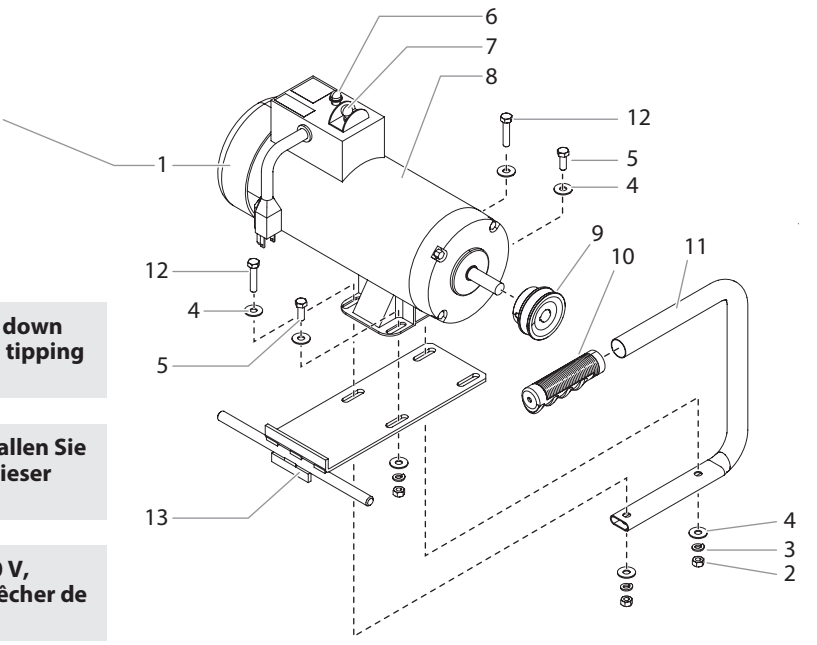
F Convertokit, moteur électrique (120V)

506-259



290954





⚠ When installing the 120V Convertokit, strap down the front of the PowLiner to prevent it from tipping backwards.

⚠ Wird eine 120V-Convertokit installiert, schnallen Sie die Vorderseite des PowLiners fest, damit dieser nicht nach hinten kippen kann.

⚠ Pendant l'installation du Convertokit de 120 V, attachez le devant du PowLiner pour l'empêcher de basculer vers l'arrière.

Pos.	PL4955 (120V)	GB Description	D Benennung	F Description
1	506-259	Cover (screws from the outside)	Abdeckung	Couvercle
	290954	Cover (screws from the rear)	Abdeckung	Couvercle
2	509885	Stop nut (4)	Stellmutter (4)	Écrou d'arrêt (4)
3	860-002	Lock washer (4)	Federscheibe (4)	Rondelle d'arrêt (4)
4	860-004	Flat washer (8)	Schiebe (8)	Rondelle (8)
5	860-535	Screw (2)	Schraube (2)	Vis (2)
6	978-040	Circuit breaker reset	Schutzschalter-Reset	Bouton de réenclenchement du disjoncteur
7	506-260	ON/OFF switch	EIN/AUS-Schalter	Interrupteur MARCHÉ/ARRET
8	978-350A	Motor, DC-Electric, 2 Hp, 50/60 Hz, 115V	Elektromotor, 2 PS, 50/60 Hz, 115V	Motor électrique, 2 Hp, 50/60 Hz, 115V
9	290388	Pulley	Seilrolle	Poulie
10	590-068	Handle grip	Führungsgriff	Poignée-pistolet
11	335-017	Handle	Griff	Poignée
12	860-552	Screw (2)	Schraube (2)	Vis (2)
13	290558	Mounting plate	Montageplatte	Plaque de fixation
Not shown • Nicht gezeigt • Non représentée				
	506-255	Rectifier	Gleichrichter	Rectificateur
	506-258	Fan	Lüfter	Ventilateur
	290956	Brush cover, plastic	Bürstenabdeckung, Kunststoff	Couvercle de la brosse, en plastique



Warranty

Titan Tool, Inc., ("Titan") warrants that at the time of delivery to the original purchaser for use ("End User"), the equipment covered by this warranty is free from defects in material and workmanship. With the exception of any special, limited, or extended warranty published by Titan, Titan's obligation under this warranty is limited to replacing or repairing without charge those parts which, to Titan's reasonable satisfaction, are shown to be defective within twelve (12) months after sale to the End User. This warranty applies only when the unit is installed and operated in accordance with the recommendations and instructions of Titan.

This warranty does not apply in the case of damage or wear caused by abrasion, corrosion or misuse, negligence, accident, faulty installation, substitution of non-Titan component parts, or tampering with the unit in a manner to impair normal operation.

Defective parts are to be returned to an authorized Titan sales/service outlet. All transportation charges, including return to the factory, if necessary, are to be borne and prepaid by the End User. Repaired or replaced equipment will be returned to the End User transportation prepaid.

THERE IS NO OTHER EXPRESS WARRANTY. TITAN HEREBY DISCLAIMS ANY AND ALL IMPLIED WARRANTIES INCLUDING, BUT NOT LIMITED TO, THOSE OF MERCHANTABILITY AND FITNESS FOR A PARTICULAR PURPOSE, TO THE EXTENT PERMITTED BY LAW. THE DURATION OF ANY IMPLIED WARRANTIES WHICH CANNOT BE DISCLAIMED IS LIMITED TO THE TIME PERIOD SPECIFIED IN THE EXPRESS WARRANTY. IN NO CASE SHALL TITAN LIABILITY EXCEED THE AMOUNT OF THE PURCHASE PRICE. LIABILITY FOR CONSEQUENTIAL, INCIDENTAL OR SPECIAL DAMAGES UNDER ANY AND ALL WARRANTIES IS EXCLUDED TO THE EXTENT PERMITTED BY LAW.

TITAN MAKES NO WARRANTY AND DISCLAIMS ALL IMPLIED WARRANTIES OF MERCHANTABILITY AND FITNESS FOR A PARTICULAR PURPOSE WITH RESPECT TO ACCESSORIES, EQUIPMENT, MATERIALS OR COMPONENTS SOLD BUT NOT MANUFACTURED BY TITAN. THOSE ITEMS SOLD, BUT NOT MANUFACTURED BY TITAN (SUCH AS GAS ENGINES, SWITCHES, HOSES, ETC.) ARE SUBJECT TO THE WARRANTY, IF ANY, OF THEIR MANUFACTURER. TITAN WILL PROVIDE THE PURCHASER WITH REASONABLE ASSISTANCE IN MAKING ANY CLAIM FOR BREACH OF THESE WARRANTIES.



Garantie

Titan Tool, Inc., ("Titan") garantiert, dass zum Zeitpunkt der Lieferung an den Käufer („Endverbraucher“) die Ausrüstung, die von dieser Garantie abgedeckt ist, frei von Material- und Fabrikationsfehler ist. Mit Ausnahme spezieller, eingeschränkter oder erweiterter Garantie, die Titan bekannt gegeben hat, ist die Gewährleistungsverpflichtung von Titan beschränkt auf den kostenlosen Austausch oder Nachbesserung für jene Teile, die, nachdem dies Titan nachvollziehbar nachgewiesen wurden, binnen zwölf (12) Monaten nach Verkauf an den Endverbraucher sich als fehlerhaft erweisen. Die Garantie greift nur, wenn das Gerät gemäß den Empfehlungen und Anweisungen von Titan installiert und bedient wurde.

Diese Garantie gilt nicht bei Beschädigung oder Abnutzung durch Abrieb, Korrosion oder unsachgemäße Benutzung, Unachtsamkeit, Unfall, unsachgemäße Installation, Verwendung von Ersatzteilen, die nicht von Titan stammen bzw. wenn Änderungen an dem Gerät vorgenommen wurden wodurch eine normale Benutzung beeinträchtigt wird

Defekte Teile müssen an den autorisierten Titan-Händler/ die autorisierte Titan-Niederlassung zurückgeschickt werden. Alle Transportkosten, einschließlich der Rücksendung an die Fabrik, falls erforderlich, sind vom Endverbraucher zu tragen und müssen im Voraus bezahlt werden. Repariertes oder ausgetauschtes Zubehör wird auf Kosten des Endverbrauchers nach Vorauszahlung der Transportkosten zurückgeschickt

ES GIBT SONST KEINE ANDERE MÄNGELGARANTIE. TITAN SCHLIESST HIERMIT ALLE UND JEDE STILLSCHWEIGENDE GARANTIE AUS, EINSCHLIESSLICH, JEDOCH NICHT BESCHRÄNKT AUF MARKTFÄHIGKEIT UND EIGNUNG FÜR EINEN BESTIMMTEN ZWECK, SOWEIT GESETZLICH ZULÄSSIG. DIE DAUER ALLER STILLSCHWEIGENDEN GARANTIEN, DIE NICHT AUSGESCHLOSSEN WERDEN KÖNNEN, SIND BESCHRÄNKT AUF DIE IN DER AUSDRÜCKLICHEN GARANTIE FESTGELEGTE DAUER. TITAN HAFTET IN KEINER WEISE ÜBER DEN KAUFPREIS HINAUS. DIE HAFTUNG FÜR FOLGESCHÄDEN, ZUFÄLLIGE SCHÄDEN ODER SPEZIELLE SCHÄDEN UNTER JEDER UND ALLEN GARANTIEN IST AUSGESCHLOSSEN SOWEIT GESETZLICH ZUGELASSEN.

TITAN ÜBERNIMMT KEINE GARANTIE UND SCHLIESST ALLE STILLSCHWEIGENDEN GARANTIEN AUF MARKTFÄHIGKEIT UND EIGNUNG FÜR EINEN BESTIMMTEN ZWECK BEZÜGLICH ZUBEHÖR, AUSRÜSTUNG, MATERIALIEN UND KOMPONENTEN AUS, DIE VON TITAN VERKAUFT, JEDOCH NICHT HERGESTELLT WURDEN. JENE VON TITAN VERKAUFTEN, JEDOCH NICHT VON TITAN HERGESTELLTEN KOMPONENTEN (WIE Z.B. GASMOTOREN, SCHALTER, SCHLÄUCHE, ETC.) UNTERLIEGEN DER GEWÄHRLEISTUNG DES JEWEILIGEN HERSTELLERS, SOFERN DIESE GEWÄHRT WERDEN. TITAN UNTERSTÜTZT DEN KÄUFER IN ANGEMESSENER WEISE, WENN ES UM ANSPRÜCHE WEGEN DER VERLETZUNG VON GEWÄHRLEITUNGEN GEHT.

Garantie

Titan Tool, Inc. ("Titan") garantit qu'au moment de la livraison à l'acheteur initial ("Utilisateur"), l'appareil couvert par la présente garantie sera exempt de défauts de matériaux et de fabrication. Exception faite de toute garantie particulière ou limitée et de toute extension de garantie publiées par Titan, la responsabilité de celui-ci se limite, en vertu de la présente garantie, au remplacement ou à la réparation sans frais des pièces dont le caractère défectueux aura été démontré de manière satisfaisante pour Titan, dans un délai de douze (12) mois après la date d'achat par l'Utilisateur. Cette garantie ne sera applicable que si l'appareil a été installé et utilisé conformément aux recommandations et directives de Titan.

Cette garantie ne sera pas applicable dans les cas d'endommagement ou d'usure dus à l'abrasion, la corrosion, un mauvais usage, la négligence, un accident, une installation incorrecte, un remplacement par des composants non fournis par Titan ou toute autre intervention non autorisée de nature à nuire au fonctionnement normal de l'appareil.

Les pièces défectueuses devront être envoyées à un centre de service / vente Titan autorisé. Les frais de transport couvrant y compris le retour à l'usine, seront, le cas échéant, prépayés par l'Utilisateur. Après réparation ou remplacement, les pièces seront renvoyées à ce dernier par transport prépayé.

AUCUNE AUTRE GARANTIE EXPRESSE N'EST ACCORDÉE. TITAN REJETTE TOUTE AUTRE GARANTIE IMPLICITE Y COMPRIS, NOTAMMENT, LES GARANTIES DE QUALITÉ MARCHANDE ET DE COMPATIBILITÉ AVEC UN USAGE PARTICULIER, DANS LES LIMITES PERMISES PAR LA LOI.

LA DURÉE DES GARANTIES IMPLICITES NE POUVANT FAIRE L'OBJET D'UNE RENONCIATION SE LIMITE À LA PÉRIODE INDIQUÉE DANS LA GARANTIE EXPRESSE.

LA RESPONSABILITÉ DE TITAN NE SAURAIT EN AUCUN CAS ÊTRE ENGAGÉE POUR UN MONTANT SUPÉRIEUR À CELUI DU PRIX D'ACHAT. TITAN EXCLUT TOUTE RESPONSABILITÉ RELATIVE AUX DOMMAGES INDIRECTS, ACCESSOIRES OU PARTICULIERS, DANS LES LIMITES PRÉVUES PAR LA LOI.

TITAN NE DONNE AUCUNE GARANTIE ET DÉCLINE TOUTE GARANTIE IMPLICITE DE QUALITÉ MARCHANDE ET DE COMPATIBILITÉ AVEC UN USAGE PARTICULIER EN CE QUI CONCERNE LES ACCESSOIRES, L'APPAREIL, LES MATÉRIAUX OU LES COMPOSANTS VENDUS MAIS NON FABRIQUÉS PAR TITAN. CES DERNIERS ÉLÉMENTS, VENDUS MAIS NON FABRIQUÉS PAR TITAN (MOTEURS À ESSENCE, COMMUTATEURS, FLEXIBLES, ETC.), SONT SOUMIS, LE CAS ÉCHÉANT, À LA GARANTIE DU FABRICANT. TITAN S'ENGAGE À PORTER ASSISTANCE AUX ACHETEURS, DANS LES LIMITES DU RAISONNABLE, POUR LA CONSTITUTION DE RÉCLAMATIONS RELATIVES AU NON RESPECT DE CES GARANTIES.

GB

Note on disposal:

In observance of the European Directive 2012/19/ EU on waste electrical and electronic equipment and implementation in accordance with national law, this product is not to be disposed of together with household waste material but must be recycled in an environmentally friendly way!

Titan or one of our dealers will take back your used Titan waste electrical or electronic equipment and will dispose of it for you in an environmentally friendly way. Please ask your local Titan service centre or dealer for details or contact us direct.



F

Consignes d'élimination:

Selon la directive européenne 2012/19/UE sur l'élimination des vieux appareils électriques et sa conversion en droit national, ce produit ne peut pas être jeté dans les ordures ménagères, mais est à amener à un point de recyclage en vue d'une élimination dans le respect de l'environnement!

Titan, resp. nos représentations commerciales reprennent votre vieil appareil Titan pour l'éliminer dans le respect de l'environnement. Adressez-vous donc directement à nos points de service resp. représentations commerciales ou directement à nous.



EU Declaration of Conformity

We declare under sole responsibility that this product conforms to the following relevant stipulations:

2006/42/EC

Applied harmonised norms:

EN ISO 12100:2012, EN 1953:2013

The EU declaration of conformity is enclosed with the product. If required, it can be re-ordered using order number **2348649**.

D

Entsorgungshinweis:

Gemäß der europäischen Richtlinie 2012/19/EU zur Entsorgung von Elektro-Altgeräten, und deren Umsetzung in nationales Recht, ist dieses Produkt nicht über den Hausmüll zu entsorgen, sondern muss der umweltgerechten Wiederverwertung zugeführt werden!

Ihr Titan-Altgerät wird von uns, bzw. unseren Handelsvertretungen zurückgenommen und für Sie umweltgerecht entsorgt. Wenden Sie sich in diesem Fall an einen unserer Service-Stützpunkte, bzw. Handelsvertretungen oder direkt an uns.



Déclaration de Conformité UE

Nous déclarons sous notre responsabilité que ce produit est en conformité avec les réglementations suivantes:

2006/42/CE

Conforme aux normes et documents normalisés:

EN ISO 12100:2012, EN 1953:2013

La déclaration de conformité UE est jointe à ce produit. Elle peut être commandée au besoin sous le numéro de commande **2348649**.

EU Konformitätserklärung

Wir erklären in alleiniger Verantwortung, dass dieses Produkt den folgenden einschlägigen Bestimmungen entspricht:

2006/42/EG

Angewandte harmonisierte Normen:

EN ISO 12100:2012, EN 1953:2013

Die CE-Konformitätsbescheinigung liegt dem Produkt bei. Sie kann bei Bedarf mit der Bestellnummer **2348649** nachbestellt werden.



POWRLINER™

UNITED STATES SALES & SERVICE

WEB: www.titantool.com

PHONE: 1-800-526-5362

1770 Fernbrook Lane

Minneapolis, MN 55447

INTERNATIONAL

WEB: www.titantool-international.com